



US00D728261S

(12) **United States Design Patent**  
**Hicks**

(10) **Patent No.:** **US D728,261 S**

(45) **Date of Patent:** **\*\* May 5, 2015**

(54) **ROD STORAGE APPARATUS**

*Primary Examiner* — Brian N Vinson

(71) Applicant: **Eric Steven Hicks**, New Castle, DE (US)

(74) *Attorney, Agent, or Firm* — Ash Tankha; Lipton, Weinberger & Husick

(72) Inventor: **Eric Steven Hicks**, New Castle, DE (US)

(\*\*) Term: **14 Years**

(57) **CLAIM**

The ornamental design for a rod storage apparatus, as shown and described.

(21) Appl. No.: **29/459,489**

(22) Filed: **Jul. 1, 2013**

**DESCRIPTION**

(51) **LOC (10) Cl.** ..... **08-08**

(52) **U.S. Cl.** ..... **D6/552**  
USPC .....

(58) **Field of Classification Search**  
USPC ..... D6/513, 362, 574, 572, 566, 552;  
297/425; D12/317, 400, 406, 223, 425;  
211/13.1, 85.7, 86.01, 87.01, 90.01,  
211/134; 108/42, 149; 248/127, 176.1, 200,  
248/201, 235, 250

FIG. 1 is a bottom isometric view of an ornamental design for a rod storage apparatus configured to store utility rods, for example, fishing rods, where the rod storage apparatus is attachable to a ceiling;

FIG. 2 is a front elevation view thereof;

FIG. 3 is a rear elevation view thereof;

FIG. 4 is a top plan view thereof;

FIG. 5 is a bottom view thereof;

FIG. 6 is a left side view thereof, showing the rod storage apparatus attached to a ceiling;

FIG. 7 is a left side view thereof, showing the rod storage apparatus opened at one end using a pulley system;

FIG. 8 is a right side view thereof;

FIG. 9 is a bottom perspective view thereof, showing the rod storage apparatus opened at one end using the pulley system; and,

FIG. 10 is a bottom perspective view thereof, showing fishing rods stored in the rod storage apparatus.

The broken line showing of the ceiling and wooden planks in FIGS. 6-8, and the fishing rods in FIG. 10 is for the purpose of illustrating environment and forms no part of the claimed design.

See application file for complete search history.

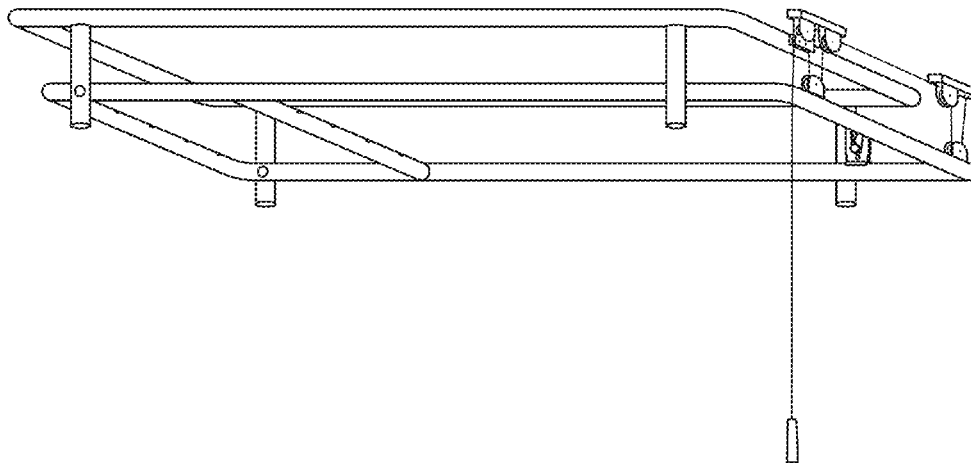
(56) **References Cited**

**U.S. PATENT DOCUMENTS**

4,006,825	A	2/1977	Austin et al.	
4,424,907	A	1/1984	Robb	
4,582,203	A *	4/1986	Davis	211/70.8
4,881,674	A	11/1989	Medianik	
5,871,070	A *	2/1999	Contreras	187/263
6,910,592	B1	6/2005	Lindenmeyer	
D538,088	S *	3/2007	Ruff	D6/513
D622,086	S *	8/2010	Leung	D6/552
D653,064	S *	1/2012	Lutt	D6/513
2006/0197419	A1	9/2006	Sorensen	
2012/0091085	A1	4/2012	Kern	

\* cited by examiner

**1 Claim, 10 Drawing Sheets**



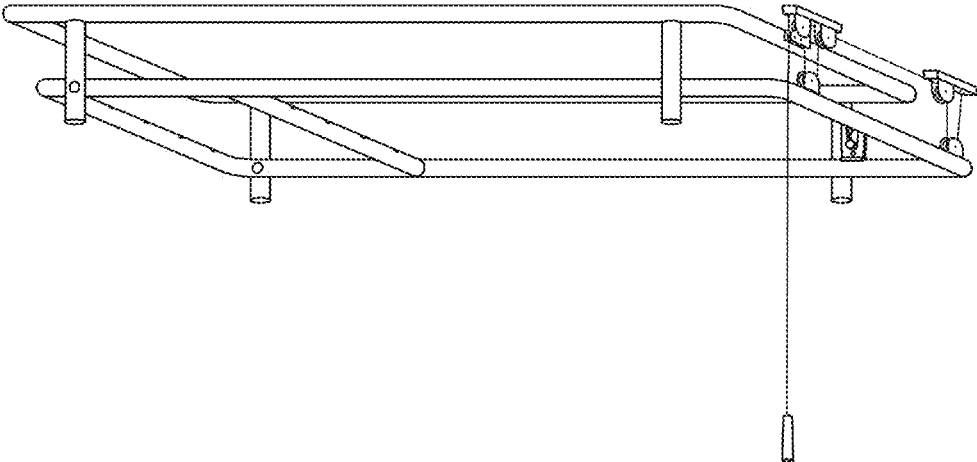


FIG. 1

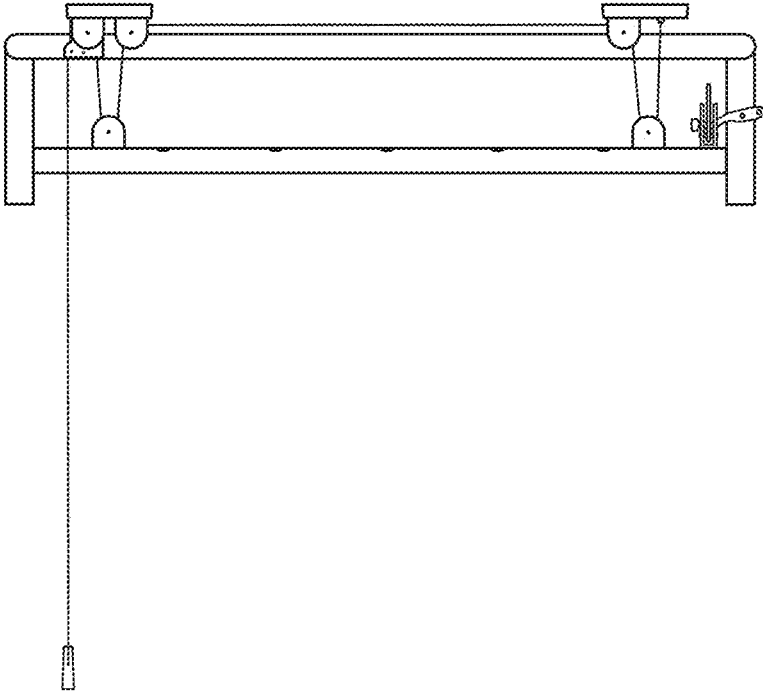


FIG. 2

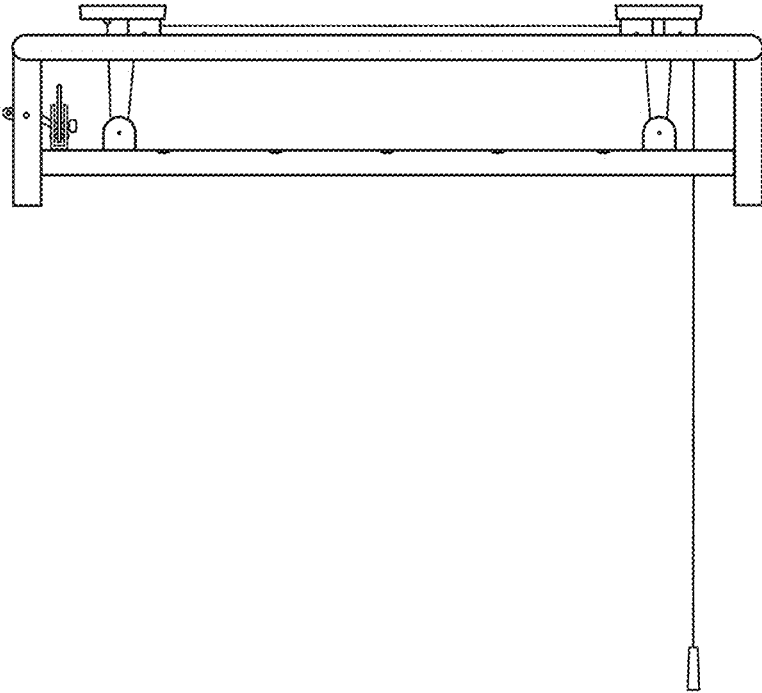


FIG. 3

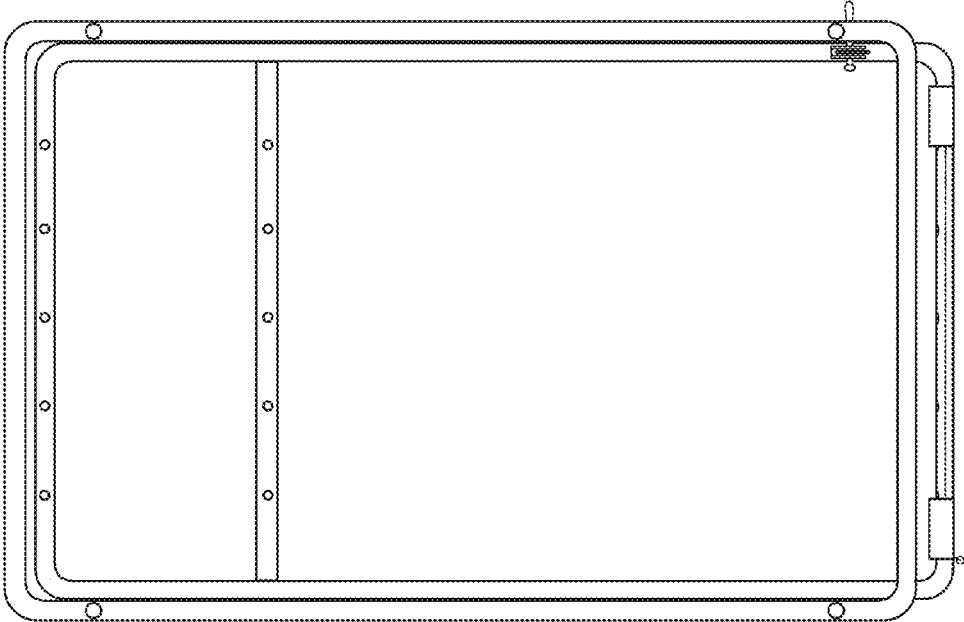


FIG. 4

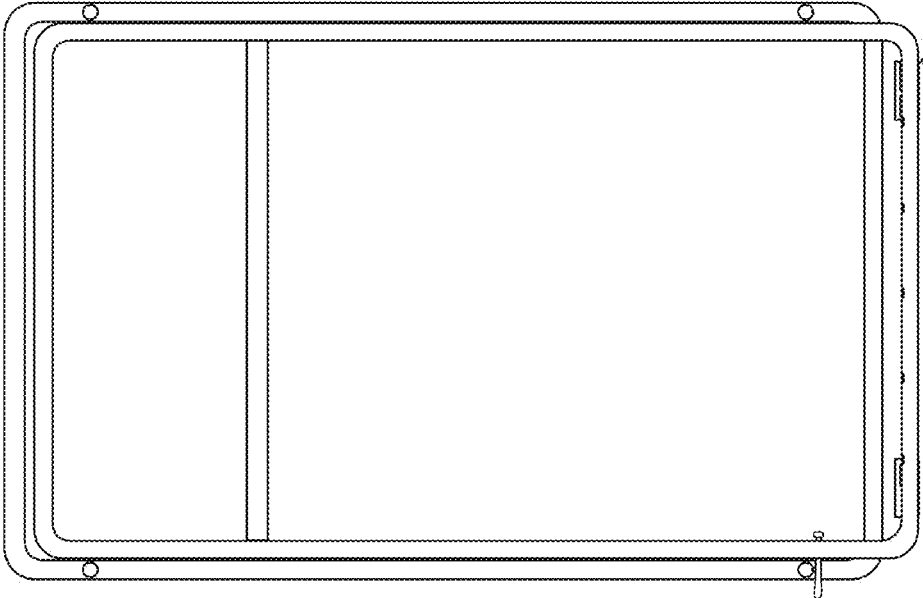


FIG. 5

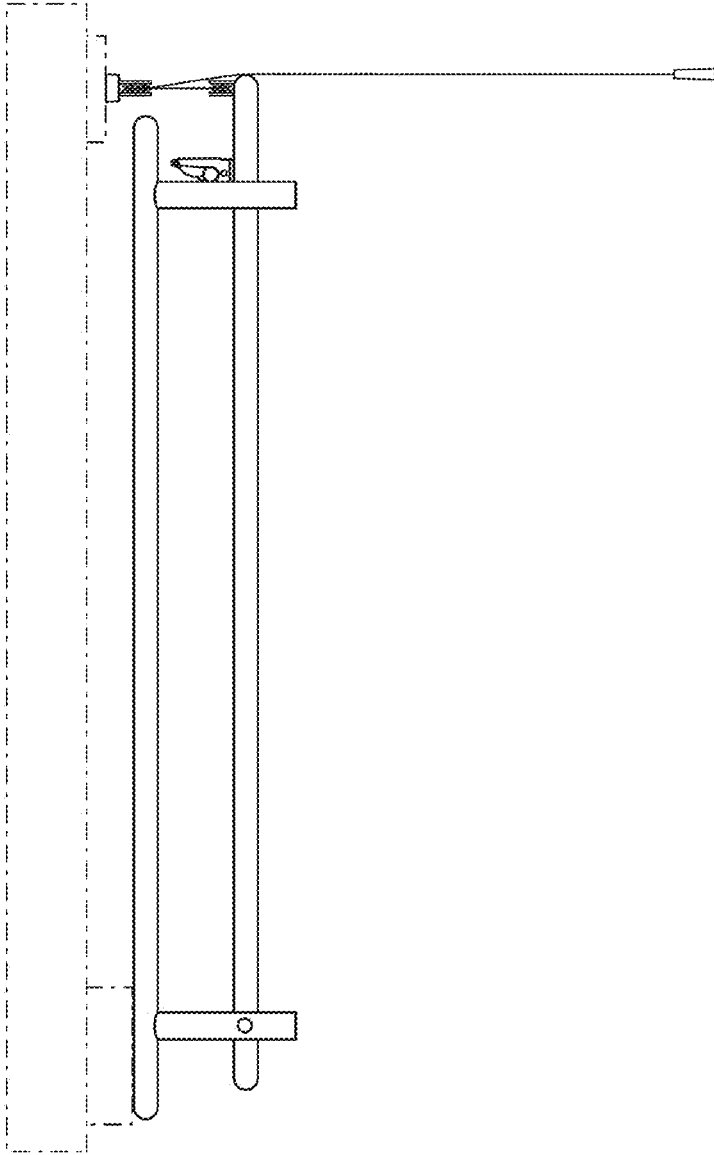


FIG. 6

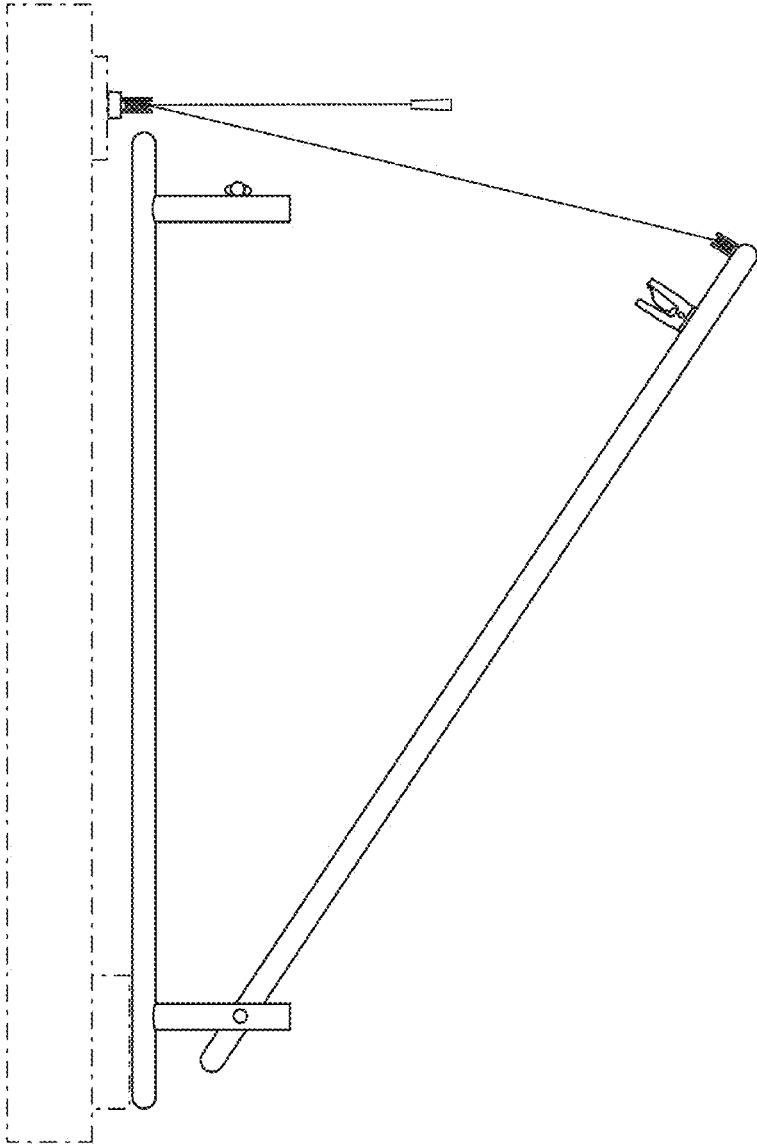


FIG. 7



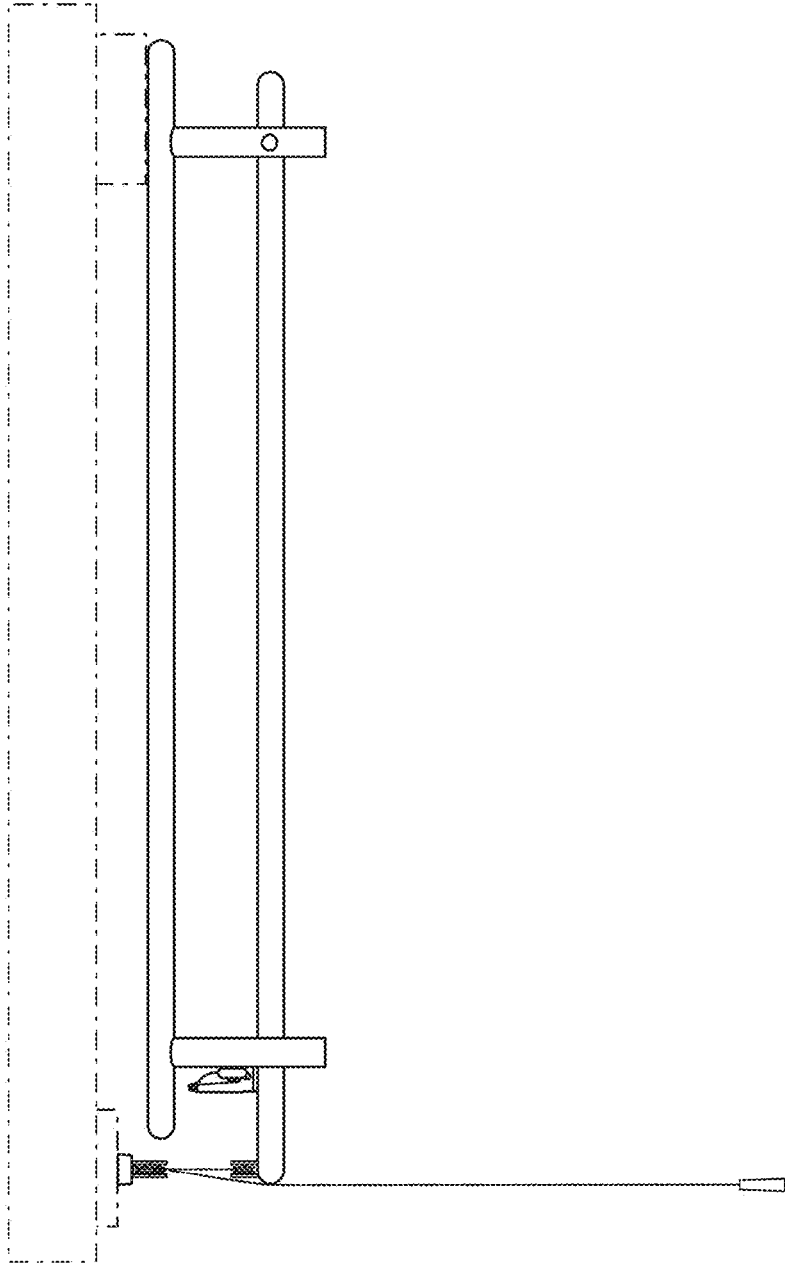


FIG. 8

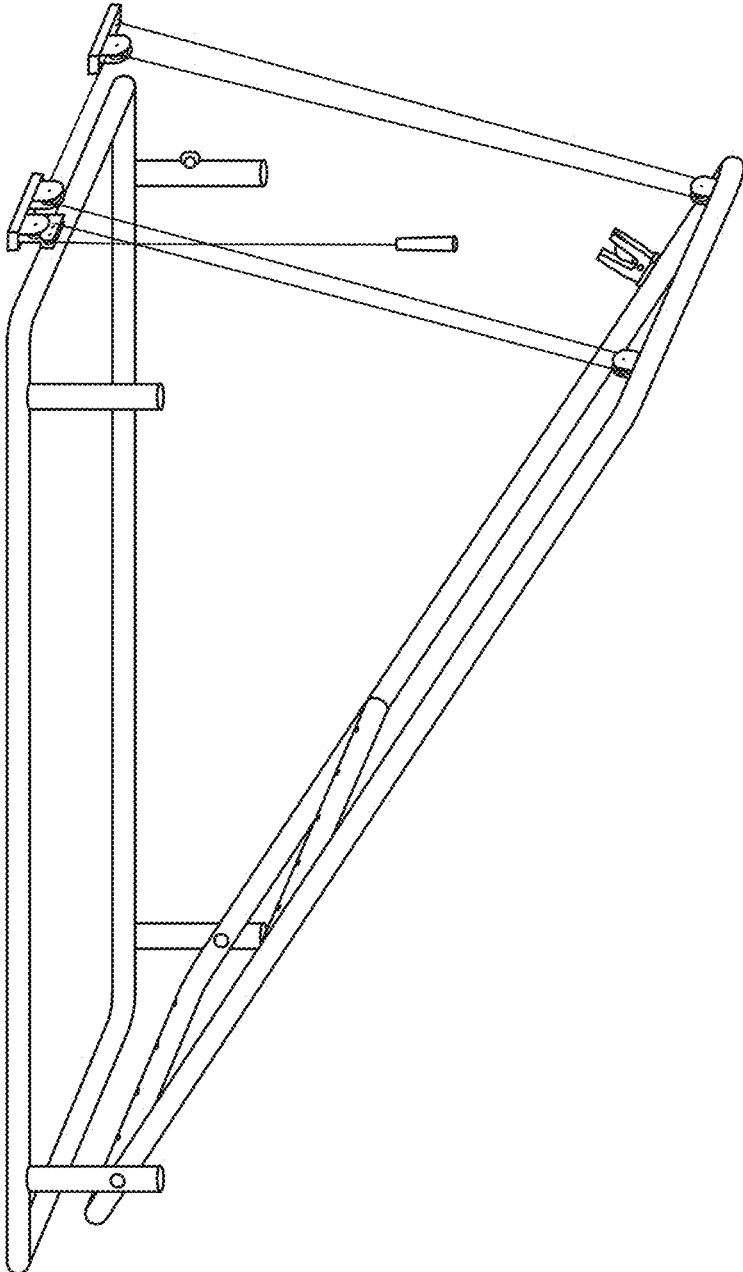


FIG. 9

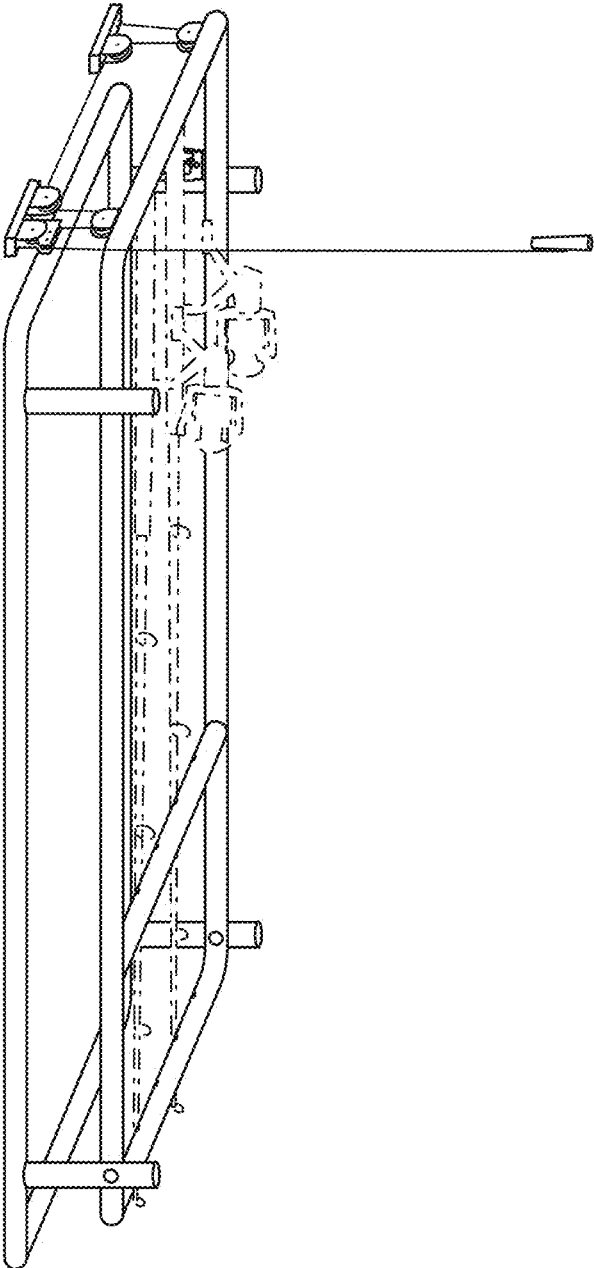


FIG. 10