



US00D702342S

(12) **United States Design Patent**  
**Tikochinsky**

(10) **Patent No.:** **US D702,342 S**

(45) **Date of Patent:** **\*\* Apr. 8, 2014**

(54) **FINGER TIP APPLICATOR**

(75) Inventor: **Yoav Tikochinsky**, Tel-Aviv (IL)

(73) Assignee: **Renew Medical Inc.**, Palo Alto, CA (US)

(\*\*) Term: **14 Years**

(21) Appl. No.: **29/423,620**

(22) Filed: **Jun. 3, 2012**

(51) **LOC (10) Cl.** ..... **24-02**

(52) **U.S. Cl.**

USPC ..... **D24/119**

(58) **Field of Classification Search**

USPC ..... D24/119, 127-131, 112-114, 133, 186, D24/147; 606/162, 180, 181, 185, 161; 604/1, 2, 19, 3, 309, 73, 540, 232, 187, 604/158, 164.08, 192, 263, 163, 181, 184, 604/198, 227; 600/572, 101, 139, 143; 128/200.24, 207.14, 207.15; 132/317; 401/196; 15/209.1, 210.1; D32/40; 433/89

See application file for complete search history.

(56) **References Cited**

**U.S. PATENT DOCUMENTS**

D285,835 S \* 9/1986 Hanses ..... D24/147  
6,319,002 B1 \* 11/2001 Pond ..... 433/89  
D459,808 S \* 7/2002 Safieh ..... D24/152

D468,422 S \* 1/2003 McCurrach ..... D24/111  
D480,479 S \* 10/2003 Dragan et al. .... D24/152  
D496,999 S \* 10/2004 Dragan et al. .... D24/152  
D504,948 S \* 5/2005 Dragan et al. .... D24/152  
7,214,206 B2 \* 5/2007 Rue et al. .... 604/19  
D573,250 S \* 7/2008 MacRae et al. .... D24/108  
D587,809 S \* 3/2009 Boehm et al. .... D24/181  
D644,328 S \* 8/2011 Pauser ..... D24/176  
D659,824 S \* 5/2012 Kwok ..... D24/113  
2005/0186531 A1 \* 8/2005 Friedman ..... 433/90

\* cited by examiner

*Primary Examiner* — David Muller

(74) *Attorney, Agent, or Firm* — Ash Tankha; Lipton, Weinberger & Husick

(57) **CLAIM**

The ornamental design for a finger tip applicator, as shown.

**DESCRIPTION**

FIG. 1 is a right side perspective view of a finger tip applicator showing my new design;

FIG. 2 is a top view thereof;

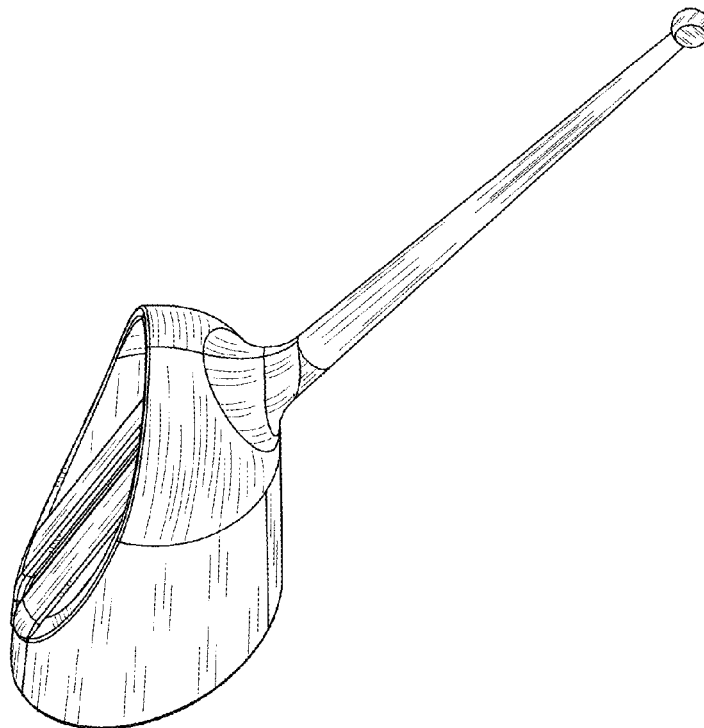
FIG. 3 is a front view thereof;

FIG. 4 is a front perspective view thereof; and,

FIG. 5 is a left side view thereof with the right side view being a mirror image thereof.

The broken line showing of parts of the drawings is included for the purpose of illustrating use and environment and forms no part of the claimed design.

**1 Claim, 2 Drawing Sheets**



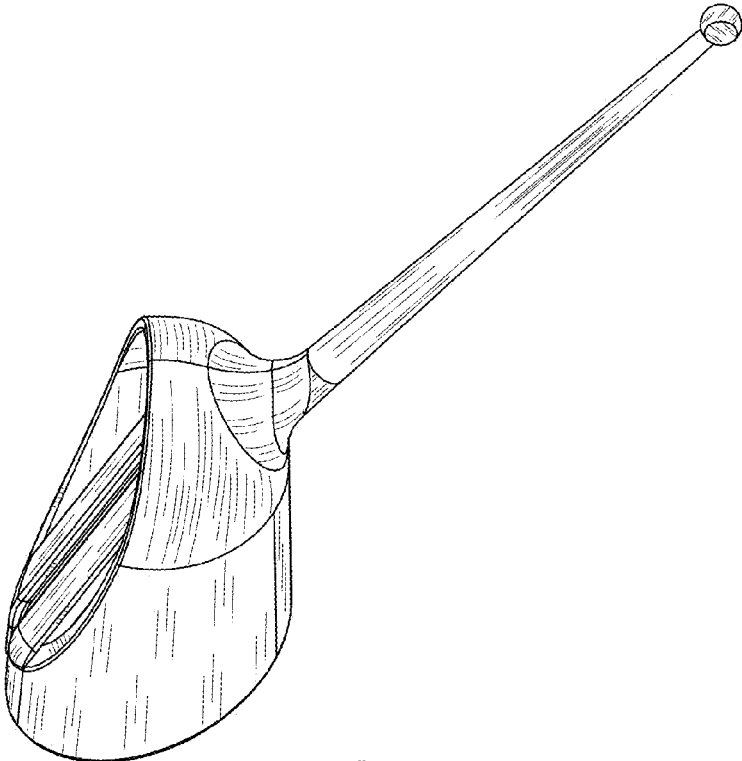


FIG. 1

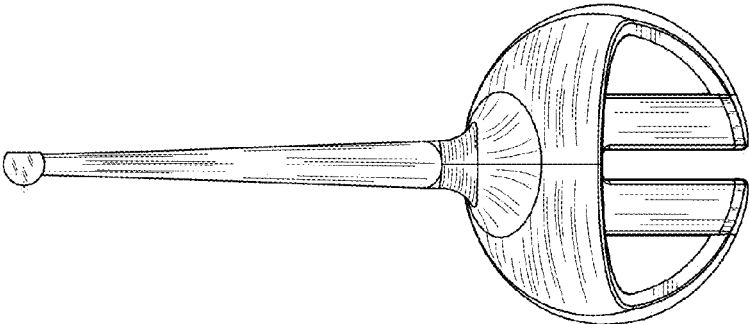


FIG. 2

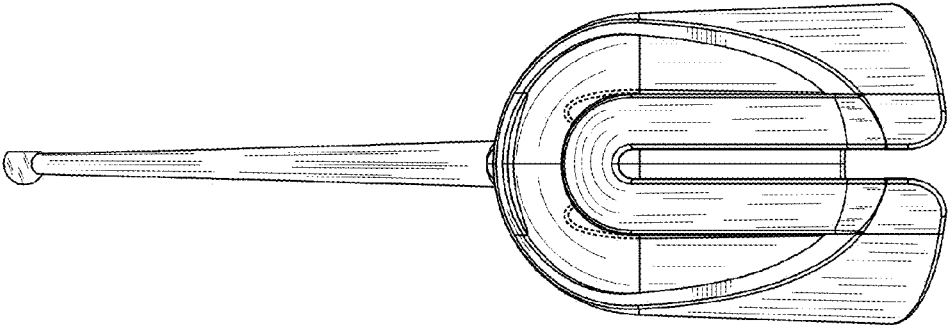


FIG. 3

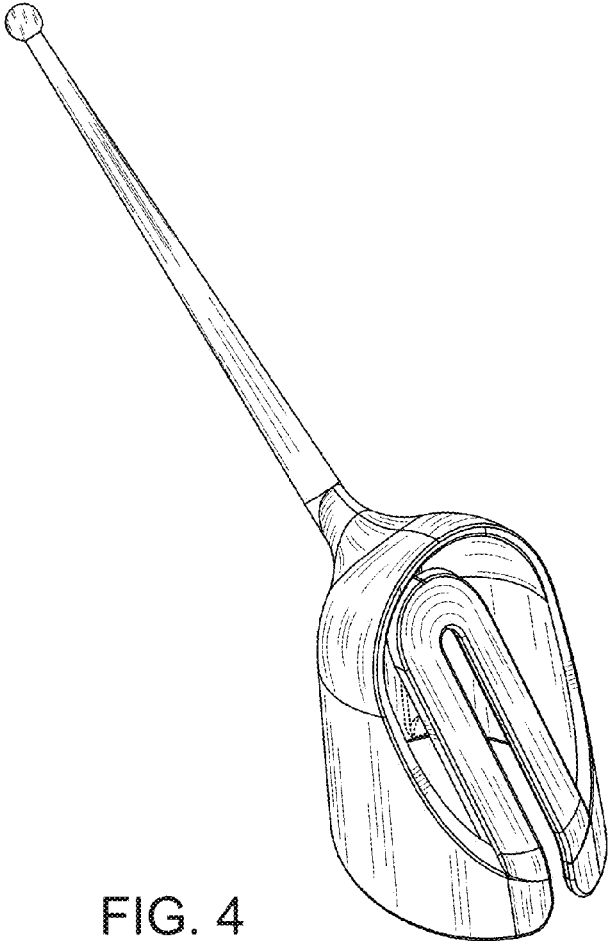


FIG. 4

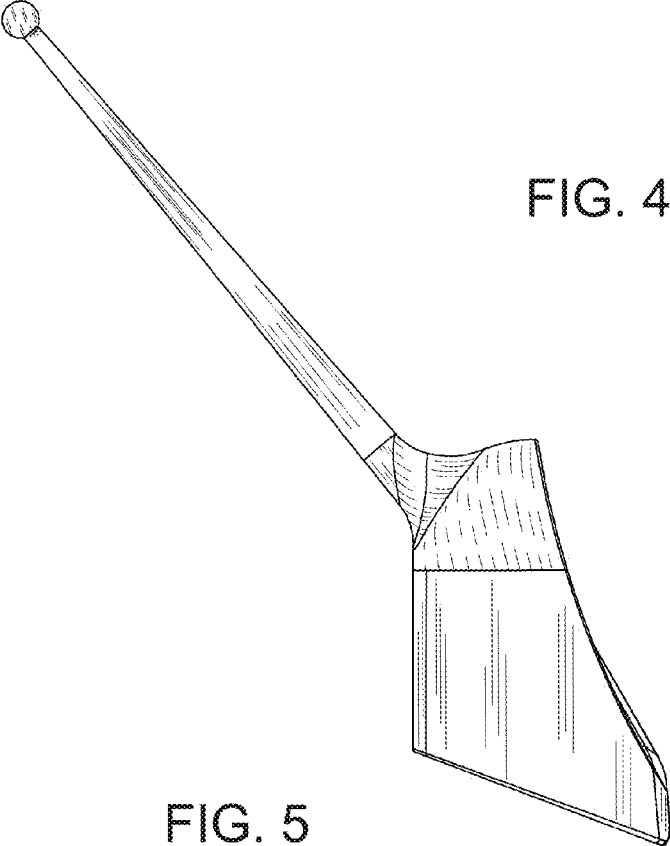


FIG. 5