



US00D696702S

(12) **United States Design Patent**
Wilberts et al.

(10) **Patent No.:** **US D696,702 S**

(45) **Date of Patent:** **** Dec. 31, 2013**

- (54) **FLYING KNIFE APPARATUS**
- (71) Applicants: **Craig Anthony Wilberts**, Fergus Falls, MN (US); **Robert Louis Haberman**, Battle Lake, MN (US)
- (72) Inventors: **Craig Anthony Wilberts**, Fergus Falls, MN (US); **Robert Louis Haberman**, Battle Lake, MN (US)
- (73) Assignee: **CEM Enterprises 1, LLC**, Lakeland, FL (US)
- (**) Term: **14 Years**

3,717,058	A *	2/1973	McMinn	83/157
4,050,338	A *	9/1977	Pearson	83/641
4,354,409	A *	10/1982	Riera et al.	83/285
4,674,378	A *	6/1987	Kawano et al.	83/368
4,719,676	A *	1/1988	Sansone	29/27 A
D303,673	S *	9/1989	Ai	D15/129
4,887,502	A *	12/1989	Voges	83/479
5,042,345	A *	8/1991	Hawkins et al.	83/385
D329,437	S *	9/1992	Pampus	D15/127
5,643,395	A *	7/1997	Hinton	156/361
D435,054	S *	12/2000	Heikkila et al.	D15/141
6,688,200	B1 *	2/2004	Borzym	83/186
D494,197	S *	8/2004	Place	D15/133
D671,154	S *	11/2012	Harder	D15/127
8,312,801	B2 *	11/2012	Sundquist et al.	83/694
D675,251	S *	1/2013	Roberts et al.	D18/34.3
8,402,870	B1 *	3/2013	Marquette	83/284
2012/0132339	A1 *	5/2012	Foley et al.	156/64

(21) Appl. No.: **29/436,829**

(22) Filed: **Nov. 9, 2012**

(51) **LOC (9) Cl.** **15-09**

(52) **U.S. Cl.**
USPC **D15/129; D15/127**

(58) **Field of Classification Search**
USPC D15/129, 133, 138, 139, 140, 141, 145, D15/146; 72/191, 452.4; 82/49, 83, 92, 93; 83/157, 162, 284, 285, 289, 290, 292, 83/293, 294, 300, 303, 319, 320, 350, 356, 83/365, 368, 369, 385, 402, 444, 523, 599, 83/602, 613, 624, 628, 636, 639.1, 640; 91/339; 131/280, 284; 156/361, 367, 156/378, 502, 504; 242/552, 554.1, 554.4, 242/554.5, 555.5; 248/674

See application file for complete search history.

(56) **References Cited**

U.S. PATENT DOCUMENTS

2,539,602	A *	1/1951	Wehr	83/694
3,656,385	A *	4/1972	Kimbrell	83/290
3,704,643	A *	12/1972	Cookson	83/294

* cited by examiner

Primary Examiner — Patricia Palasik

(74) *Attorney, Agent, or Firm* — Ash Tankha; Lipton, Weinberger & Husick

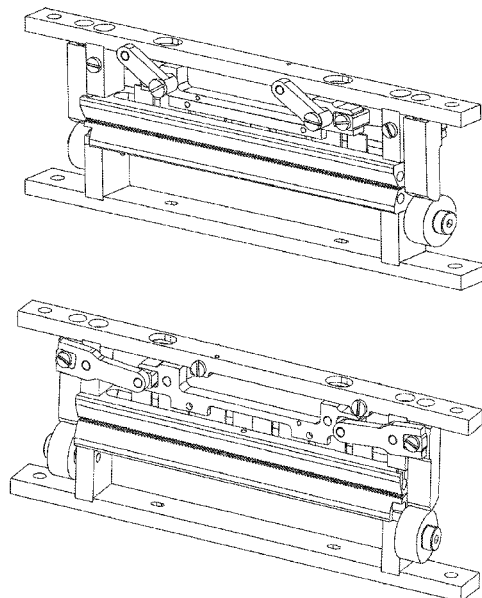
(57) **CLAIM**

The ornamental design for a flying knife apparatus, as shown and described.

DESCRIPTION

FIG. 1 is an isometric view of an ornamental design for a flying knife apparatus;
 FIG. 2 is a rear perspective view thereof;
 FIG. 3 is a front elevation view thereof;
 FIG. 4 is a sectional view taken along a line 4-4 of FIG. 3;
 FIG. 5 is a rear elevation view thereof;
 FIG. 6 is a top plan view thereof;
 FIG. 7 is a bottom view thereof;
 FIG. 8 is a left side elevation view thereof; and,
 FIG. 9 is a right side elevation view thereof.

1 Claim, 9 Drawing Sheets



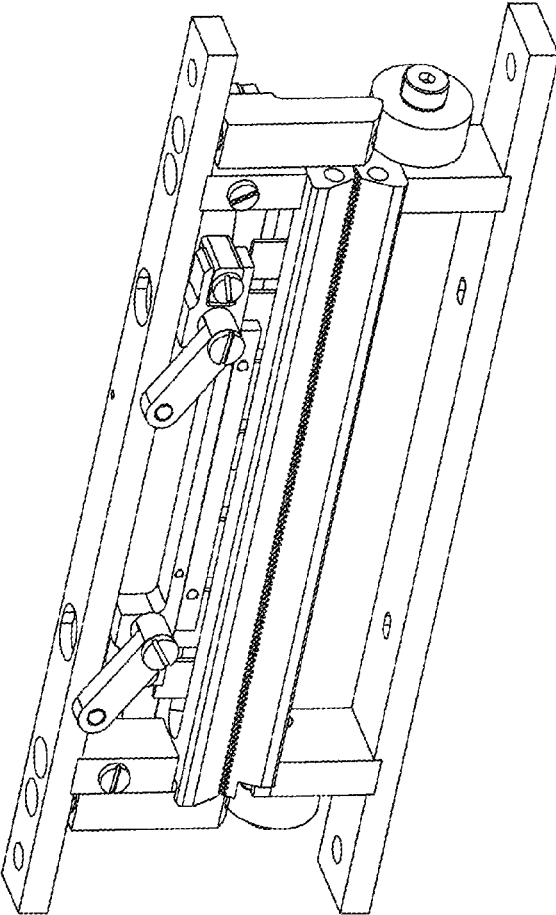


FIG. 1

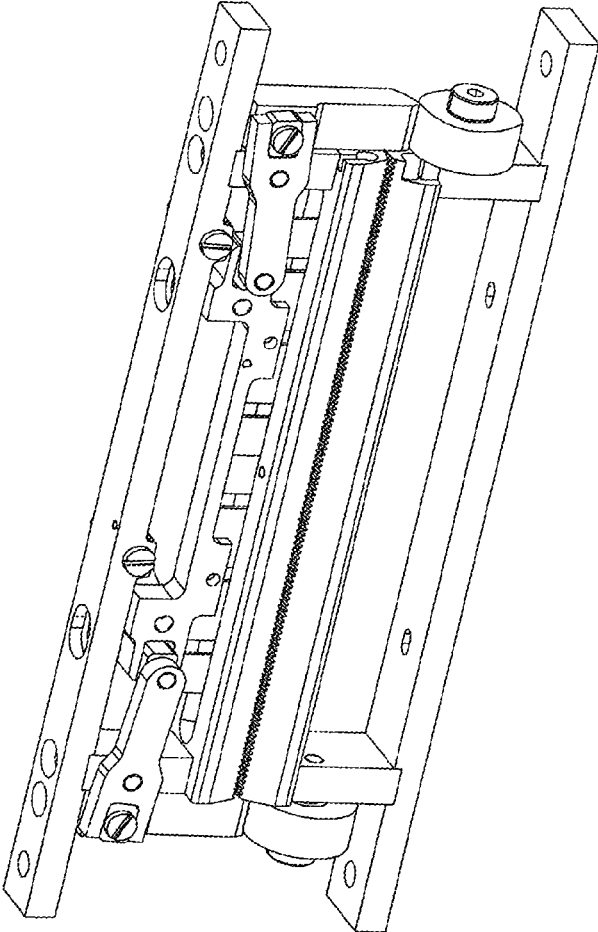


FIG. 2

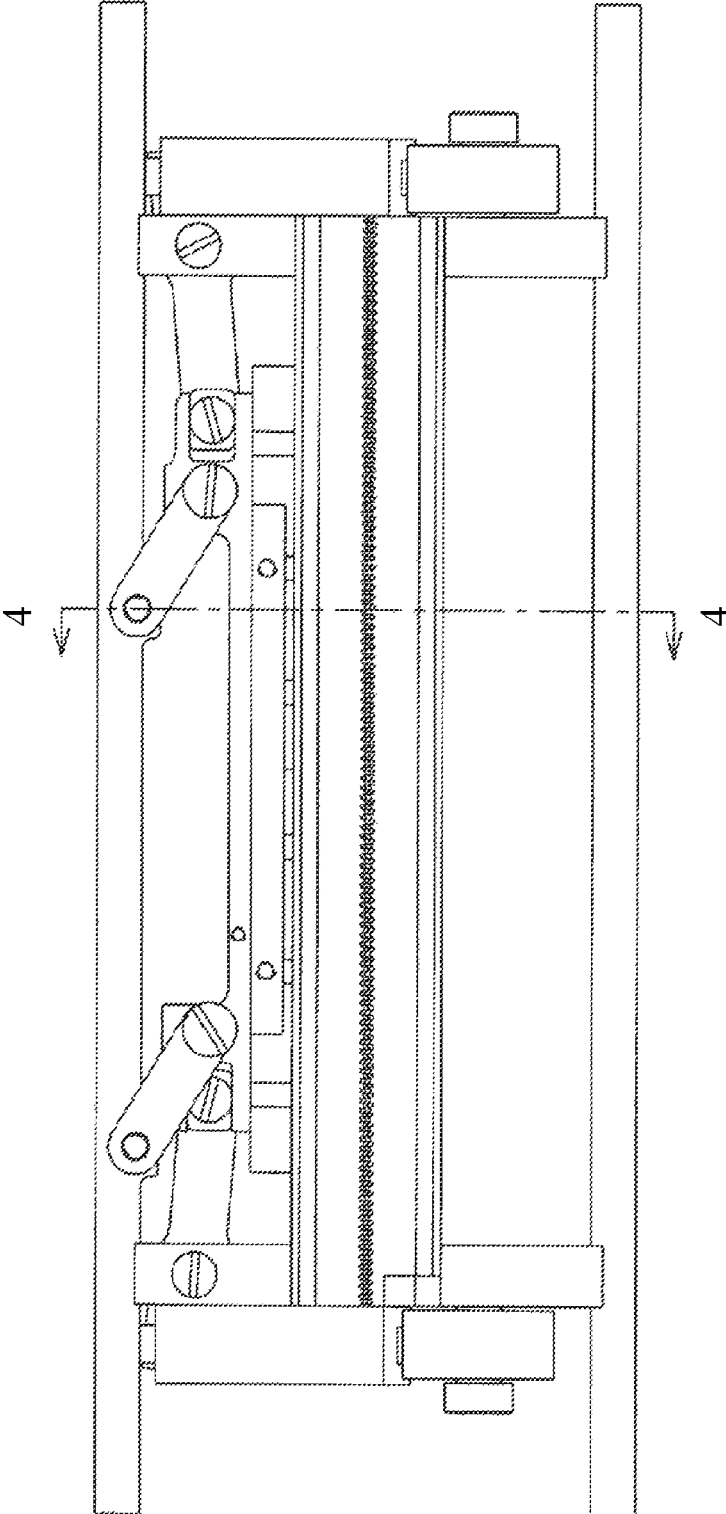


FIG. 3

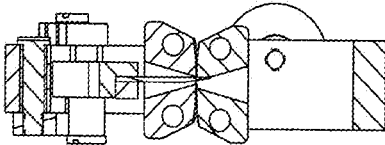


FIG. 4

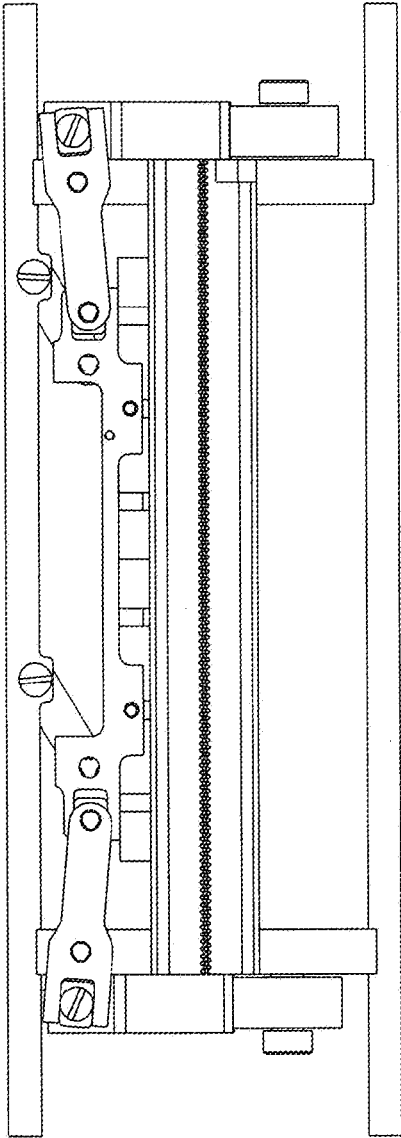


FIG. 5

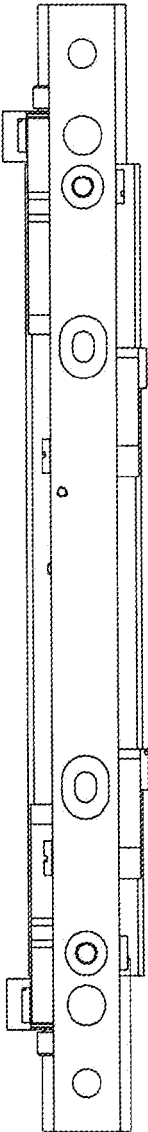


FIG. 6

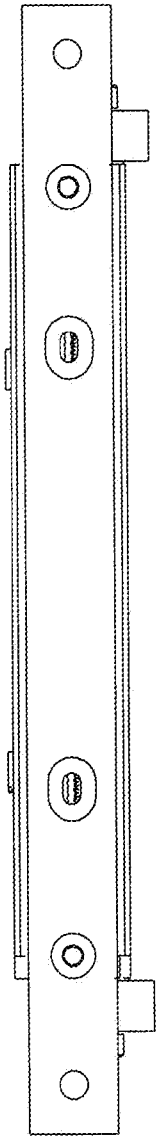


FIG. 7

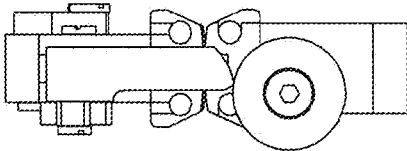


FIG. 8

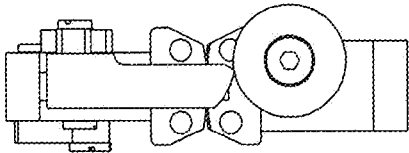


FIG. 9