



US007722099B2

(12) **United States Patent**  
**Bland**

(10) **Patent No.:** **US 7,722,099 B2**  
(45) **Date of Patent:** **May 25, 2010**

(54) **SANITARY PRODUCT DISPOSAL**  
(76) Inventor: **Vincent David Bland**, 485 St. John St.,  
Central Islip, NY (US) 11722  
(\* ) Notice: Subject to any disclaimer, the term of this  
patent is extended or adjusted under 35  
U.S.C. 154(b) by 65 days.

5,358,295	A *	10/1994	Campbell	.....	294/1.3
5,370,431	A *	12/1994	Henninger et al.	.....	294/1.3
5,740,554	A	4/1998	Reed		
6,832,796	B1 *	12/2004	Minassians	.....	294/1.3
7,216,905	B1	5/2007	Armes, Jr.		
2007/0083179	A1	4/2007	Fuentes		

\* cited by examiner

*Primary Examiner*—Sameh H. Tawfik  
(74) *Attorney, Agent, or Firm*—Ash Tankha

(21) Appl. No.: **12/120,239**  
(22) Filed: **May 14, 2008**

(57) **ABSTRACT**

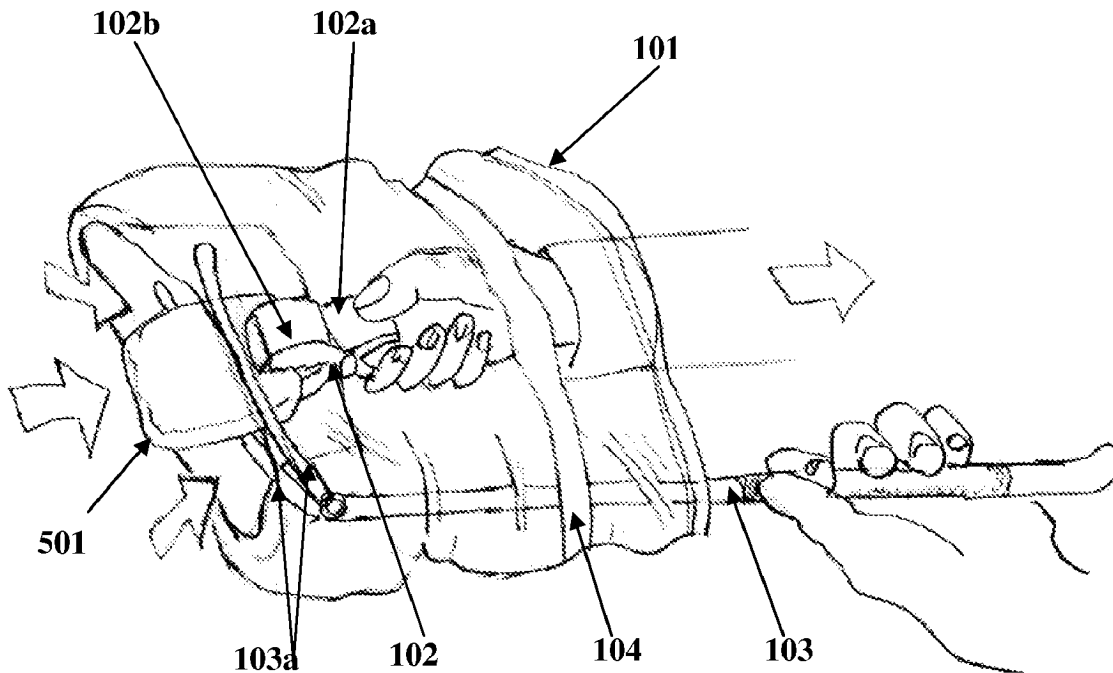
(65) **Prior Publication Data**  
US 2009/0282786 A1 Nov. 19, 2009

Disclosed herein is an apparatus and method for hygienic disposal of a sanitary product. The apparatus comprises a biodegradable bag for disposal of the sanitary product. The biodegradable bag comprises a catch clip, a pull stick, and an adhesive strip. The catch clip, affixed at the closed end of the biodegradable bag, seizes the sanitary product into the biodegradable bag. The pull stick holds the biodegradable bag in a predefined position over the seized sanitary product during inversion of the biodegradable bag over the seized sanitary product. The inverted biodegradable bag with the seized sanitary product is then twisted and sealed airtight using the adhesive strip affixed towards the open end of the biodegradable bag. The biodegradable bag prevents the user from coming in contact with the sanitary product, thereby providing hygienic disposal of the sanitary product.

(51) **Int. Cl.**  
**A01K 29/00** (2006.01)  
(52) **U.S. Cl.** ..... **294/1.3**; 294/1.4; 294/55;  
294/118  
(58) **Field of Classification Search** ..... 294/1.3,  
294/1.4, 55, 118, 8.5, 99.2; 2/158, 159, 160  
See application file for complete search history.

(56) **References Cited**  
U.S. PATENT DOCUMENTS  
3,813,121 A \* 5/1974 Marvin ..... 294/1.3  
4,788,733 A 12/1988 Lerner

**7 Claims, 11 Drawing Sheets**



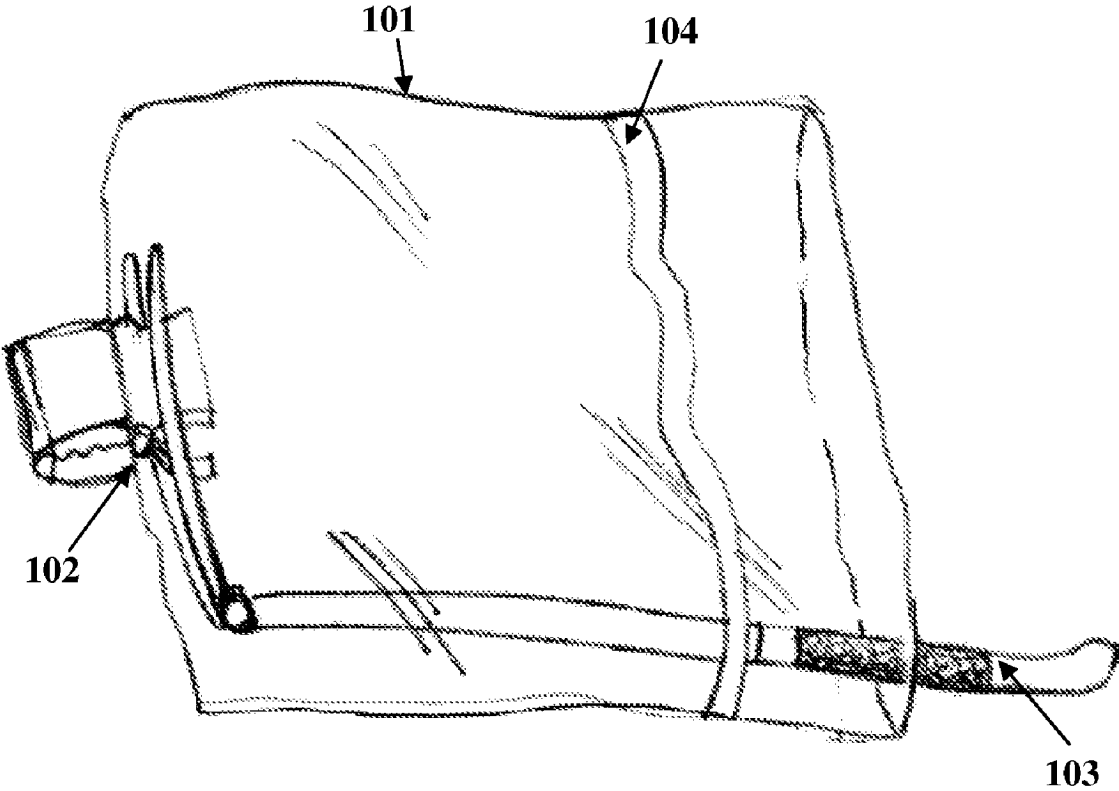


FIG. 1

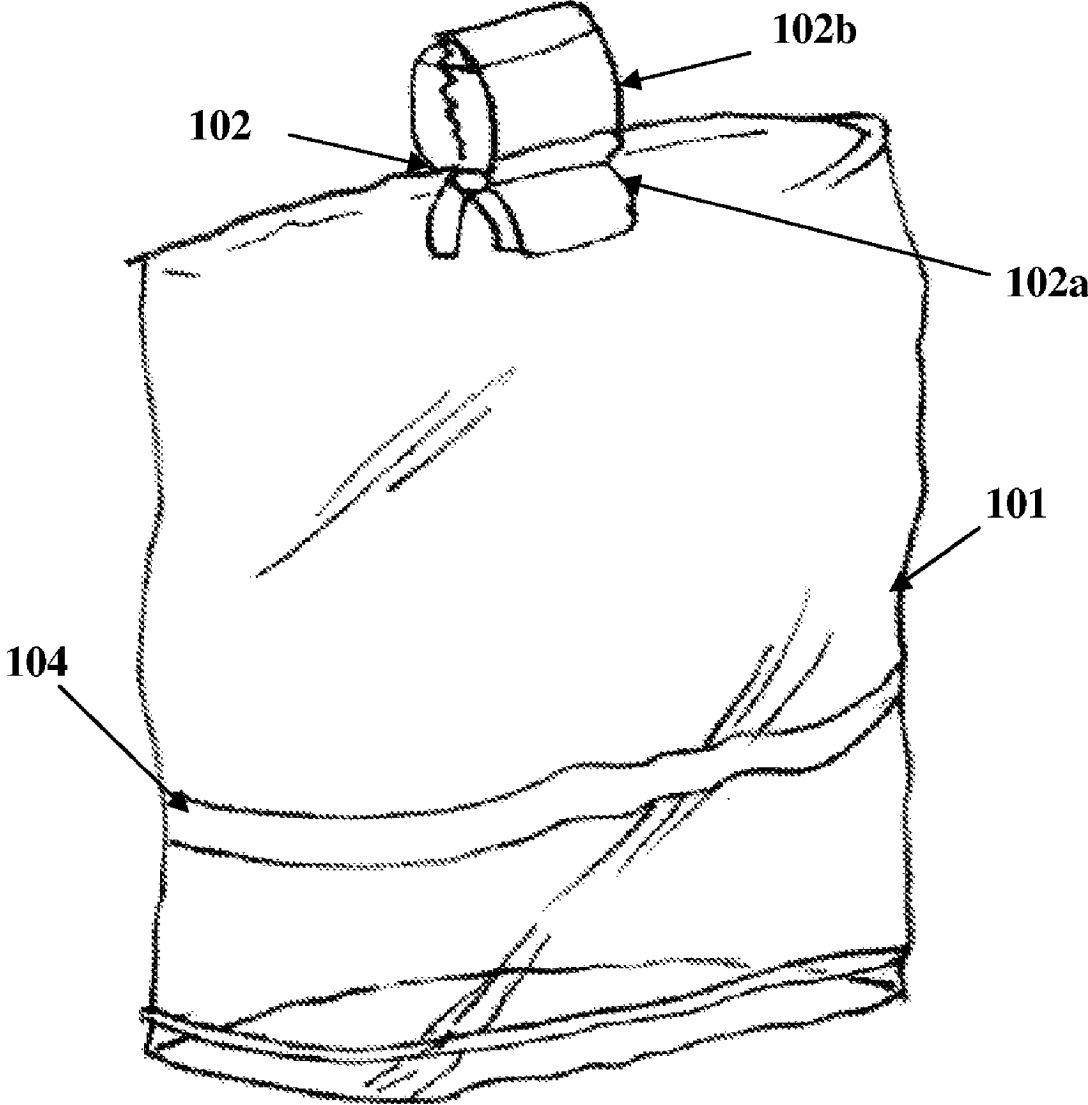


FIG. 2

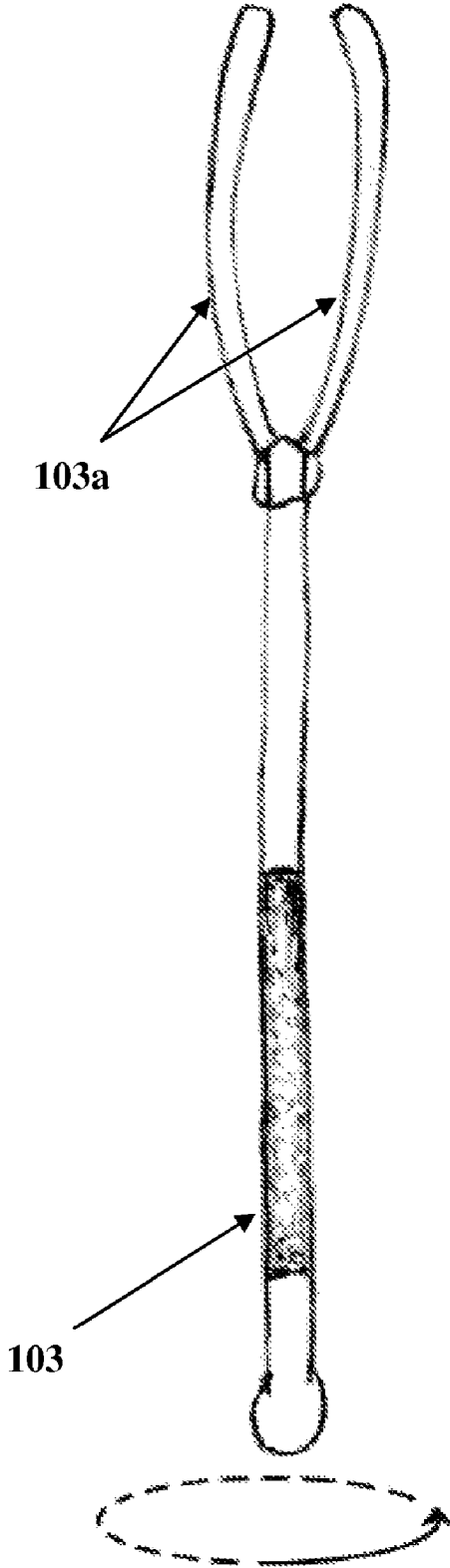


FIG. 3A

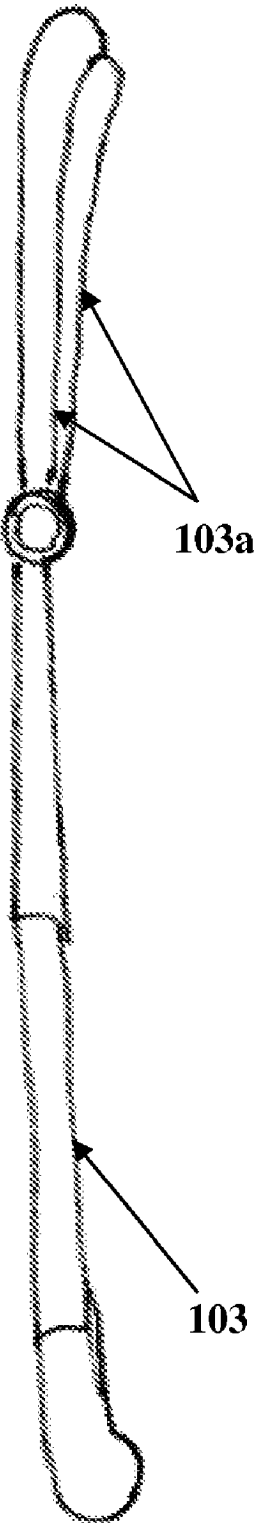


FIG. 3B

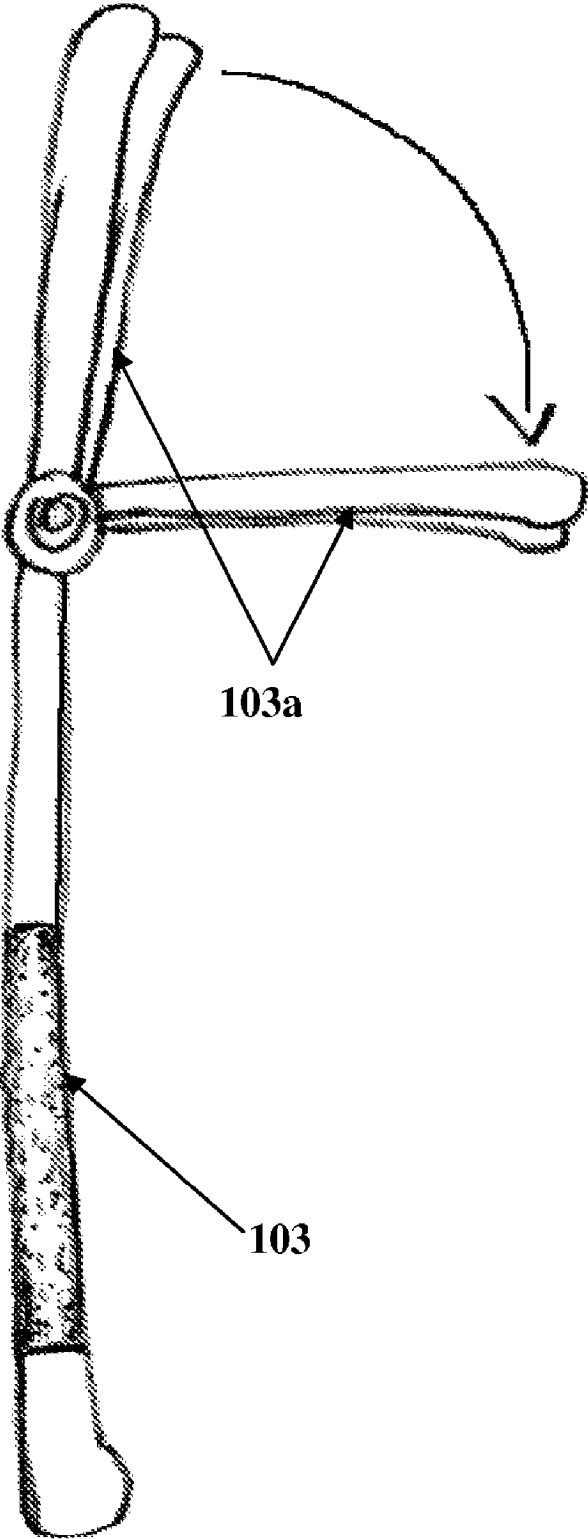


FIG. 3C

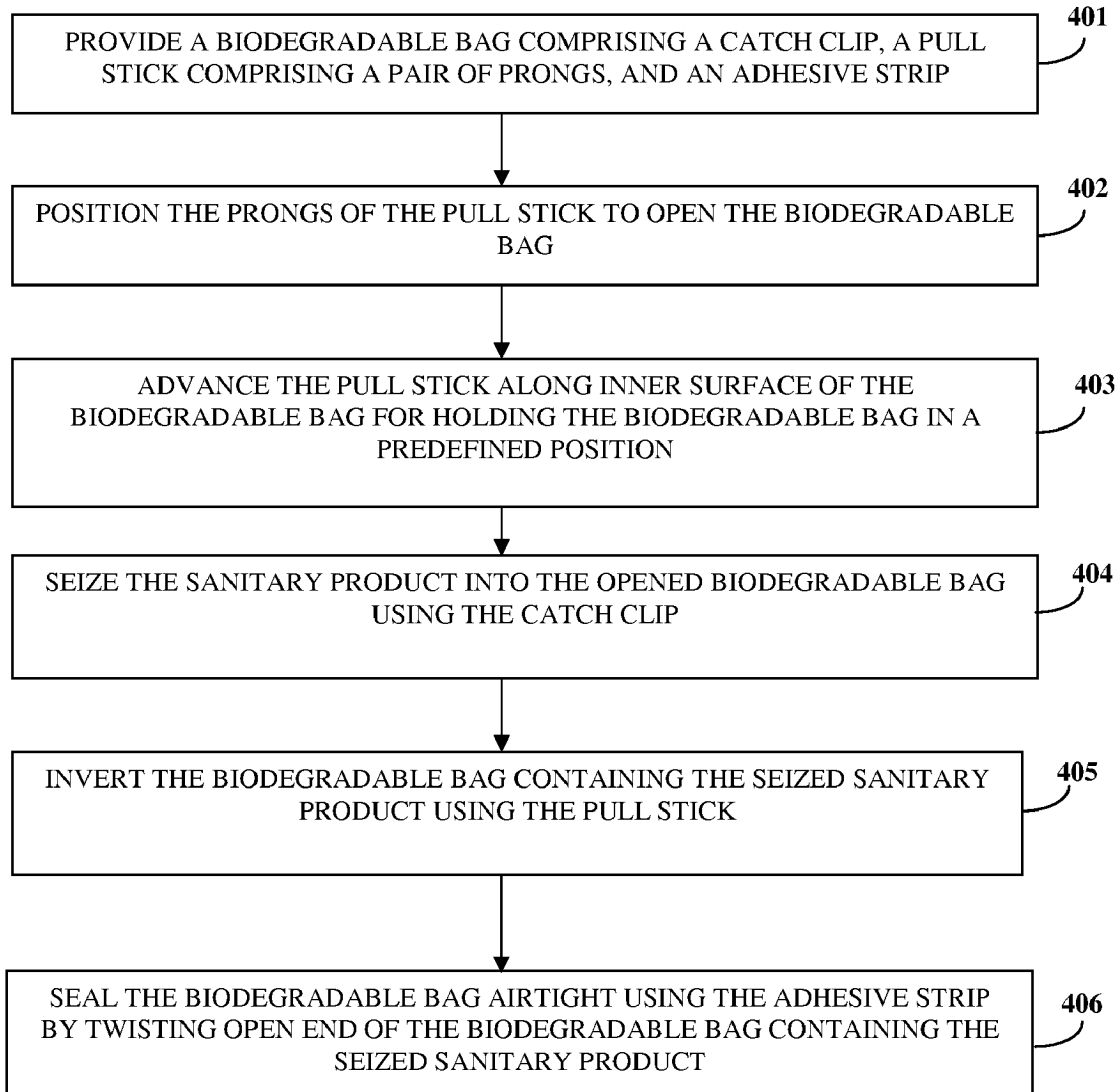


FIG. 4

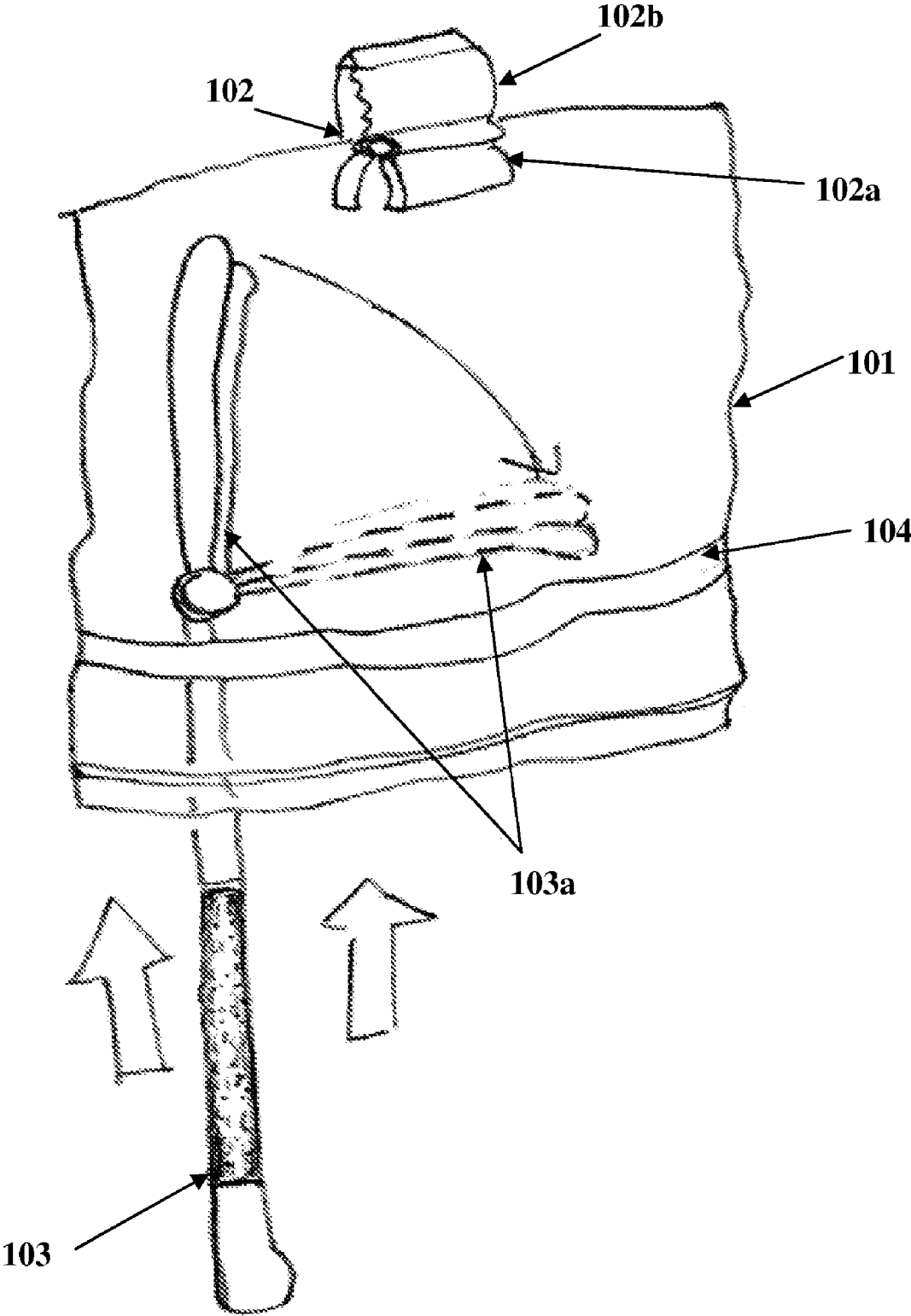


FIG. 5A



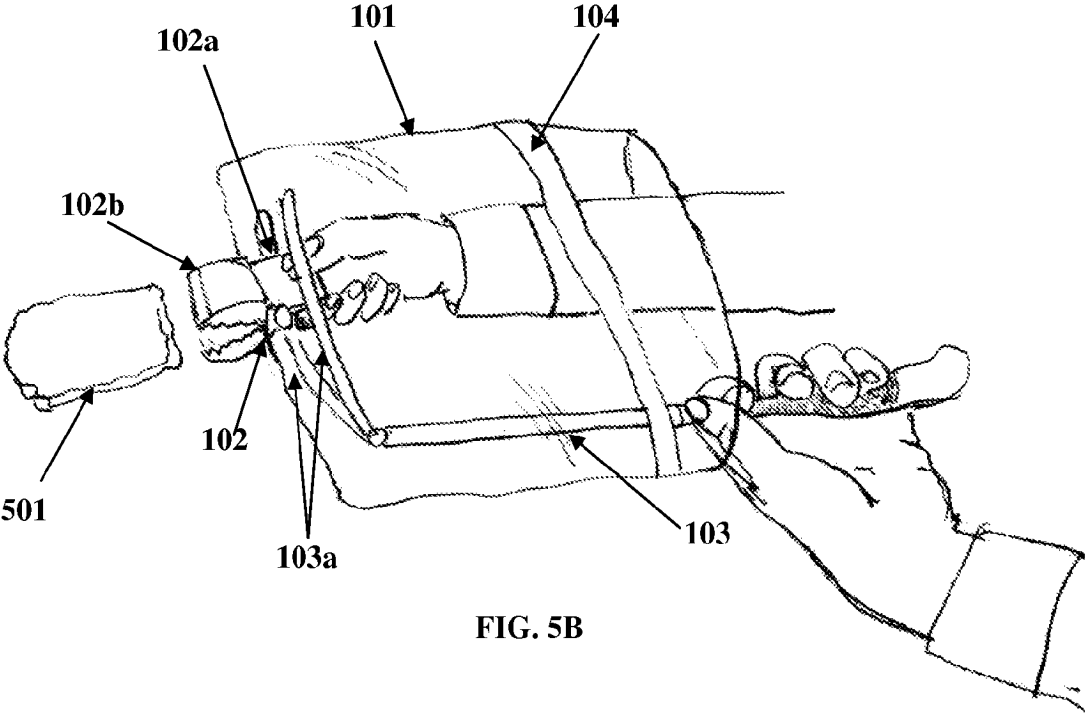


FIG. 5B

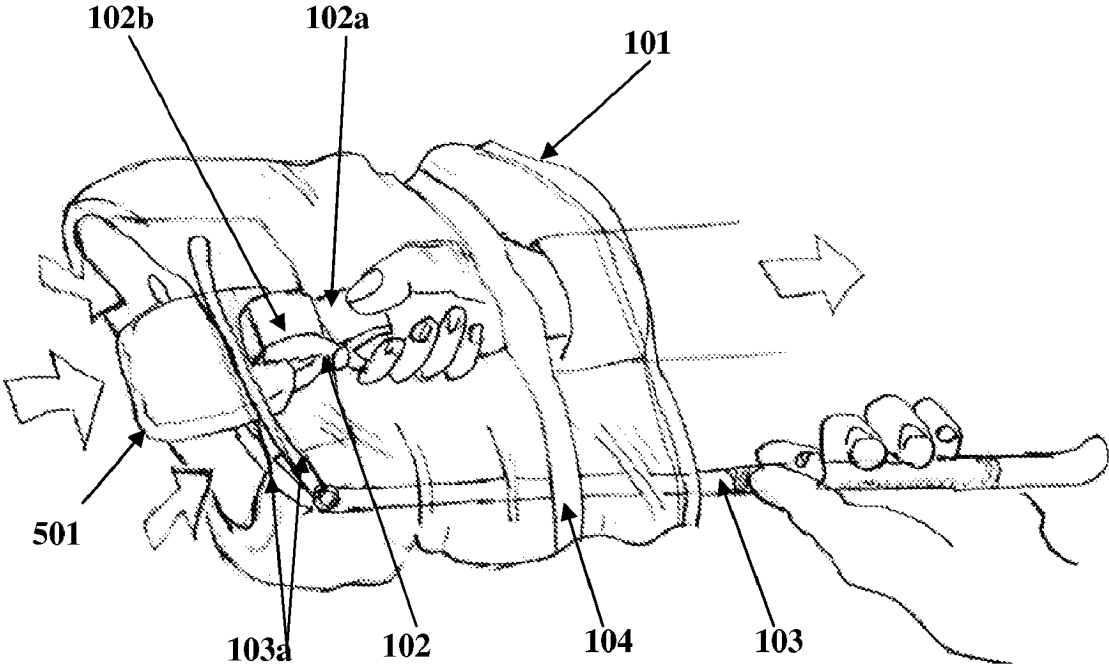


FIG. 5C

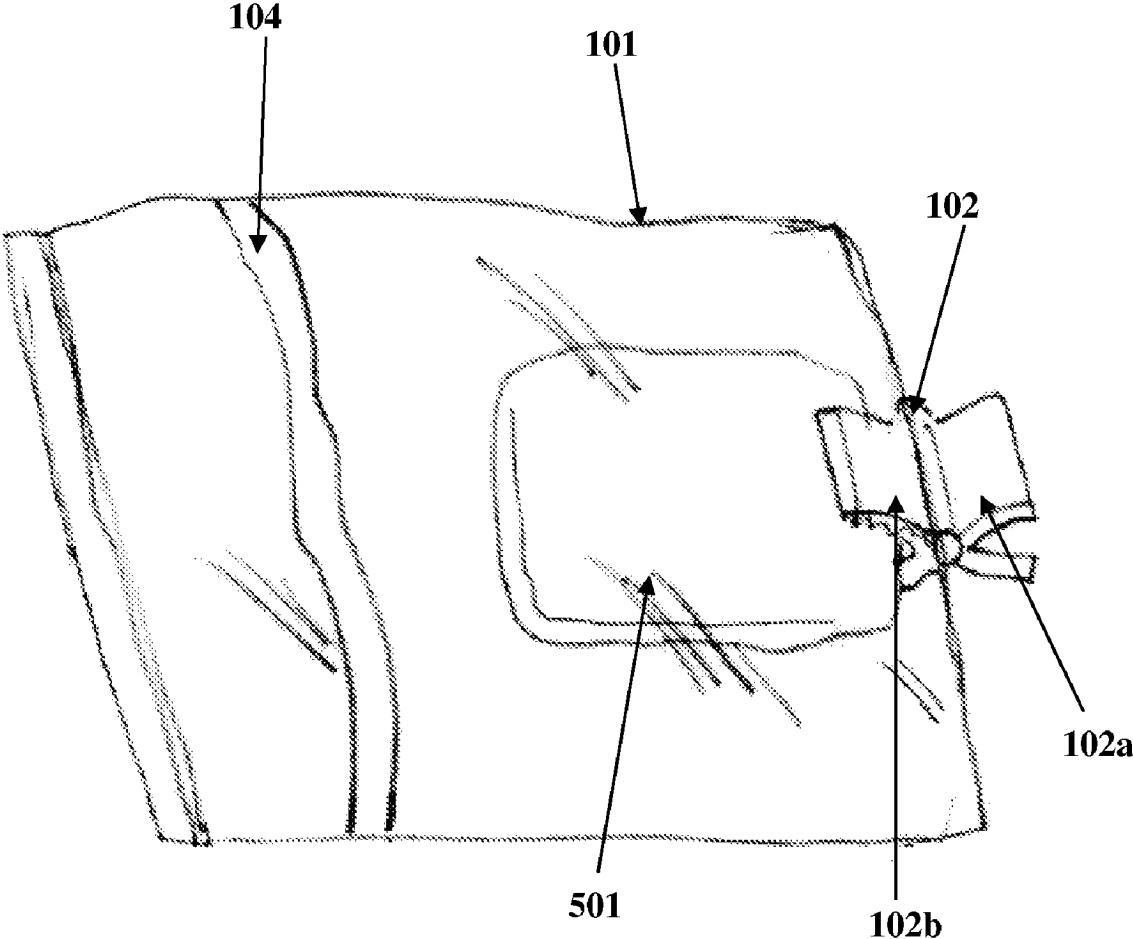


FIG. 5D

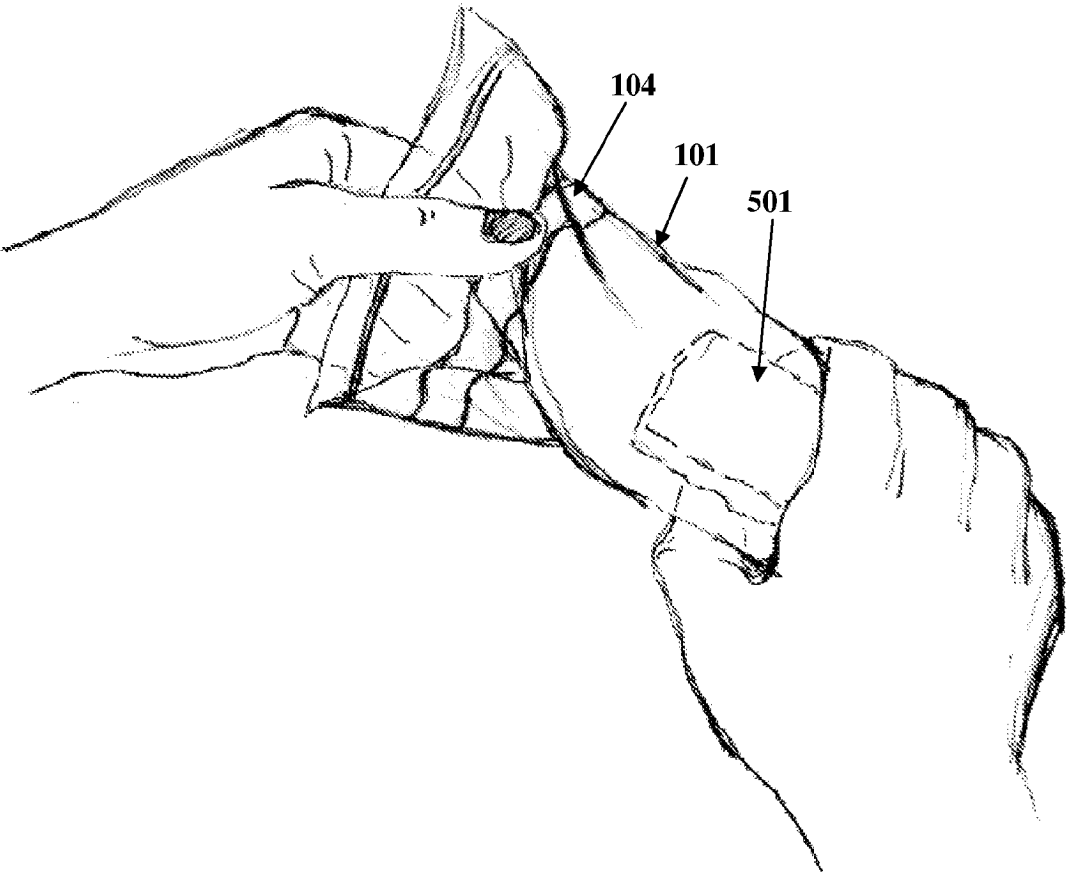


FIG. 5E

1

## SANITARY PRODUCT DISPOSAL

## BACKGROUND

This invention, in general, relates to collection and disposal of sanitary products that have been used to collect waste. More particularly, this invention relates to collecting a used sanitary product and disposing the sanitary product in a hygienic manner.

Used sanitary products are required to be disposed in a proper and safe manner. Often, used sanitary waste is inappropriately disposed. For example, sanitary products are often disposed by wrapping the sanitary product in the original wrapper or rolling the sanitary product in toilet paper and then discarding the sanitary product through a waste system. Due to the unsanitary conditions created by the manual handling of the sanitary product, there is a need for an apparatus that provides aseptic disposal of the sanitary product and protects a user from contact with and potential contamination by germs, bacteria, or viruses from the waste product leading to diseases such as Hepatitis B, genital warts, etc.

Sanitary products are some times disposed directly through a sewage system leading to blockage of the sewage system. The used sanitary product containing different types of bacteria and viruses find their way into water bodies and eventually cause environmental and health hazards. Moreover, there is a need for a biodegradable waste collection apparatus to prevent the accumulation of non-biodegradable material and the consequent hazardous effect on the environment.

Hence, there is a need for a biodegradable apparatus that allows removal and disposal of the used sanitary product in a hygienic manner.

## SUMMARY OF THE INVENTION

This summary is provided to introduce a selection of concepts in a simplified form that are further described in the detailed description of the invention. This summary is not intended to identify key or essential inventive concepts of the claimed subject matter, nor is it intended for determining the scope of the claimed subject matter.

The apparatus and method disclosed herein addresses the above stated needs for seizing and hygienically disposing a sanitary product. An individual disposing waste, for example, a sanitary napkin, a tampon, a condom, a baby diaper, an adult diaper, clinical waste, etc. is herein referred to as a "user". The apparatus and method disclosed herein prevents physical contact between a user and the sanitary product during seizure of the sanitary product.

The apparatus disclosed herein comprises a biodegradable bag for enclosing the sanitary product for subsequent disposal. The biodegradable bag is composed of a lightweight biodegradable material for example, a polymer, paper, etc. The biodegradable bag comprises a catch clip, a pull stick, and an adhesive strip. The catch clip comprising a clamp section and a claw section is affixed at the closed end of the biodegradable bag. The adhesive strip is affixed towards the open end of the biodegradable bag. The catch clip seizes the sanitary product into the biodegradable bag. The pull stick comprising a pair of prongs holds the biodegradable bag in a predefined position over the seized sanitary product. The pull stick enables the user to invert the biodegradable bag while seizing the sanitary product into the biodegradable bag. The adhesive strip seals the biodegradable bag on twisting the open end of the biodegradable bag thereby making the biodegradable bag airtight.

2

The user positions the prongs of the pull stick for opening the biodegradable bag. The user advances the pull stick along the inner surface of the biodegradable bag for holding the biodegradable bag in a predefined position to seize the sanitary product into the biodegradable bag. The user presses the clamp section of the catch clip to open the claw section for seizing the sanitary product into the biodegradable bag. The user then twists the open end of the biodegradable bag containing the sanitary product and seals the biodegradable bag using the adhesive strip thereby allowing disposal of the biodegradable bag in a hygienic manner.

## BRIEF DESCRIPTION OF THE DRAWINGS

The foregoing summary, as well as the following detailed description of the invention, is better understood when read in conjunction with the appended drawings. For the purpose of illustrating the invention, exemplary constructions of the invention are shown in the drawings. However, the invention is not limited to the specific methods and instrumentalities disclosed herein.

FIG. 1 illustrates an apparatus for hygienic disposal of a sanitary product.

FIG. 2 exemplarily illustrates a catch clip affixed at the closed end of the biodegradable bag.

FIG. 3A exemplarily illustrates a front view of a pull stick provided in the biodegradable bag.

FIG. 3B exemplarily illustrates a side view of a pull stick provided in the biodegradable bag.

FIG. 3C exemplarily illustrates a side view of the pull stick with the prongs of the pull stick in an expanded position.

FIG. 4 illustrates a method of disposing a sanitary product hygienically.

FIGS. 5A-5E exemplarily illustrate steps involved in seizing the sanitary product into the biodegradable bag for subsequent hygienic disposal.

## DETAILED DESCRIPTION OF THE INVENTION

FIG. 1 illustrates an apparatus for providing hygienic disposal of a sanitary product **501**. As used herein, the term "sanitary product" refers to a sanitary napkin, a tampon, a condom, a baby diaper, an adult diaper, clinical waste, etc. An individual disposing waste, for example, a sanitary napkin, a tampon, a condom, a baby diaper, an adult diaper, clinical waste, etc. is herein referred to as a "user". The apparatus disclosed herein may also be used to hygienically dispose soiled or infected material and fabrics at home, in senior citizen communities, in hospitals, etc. Moreover, the apparatus disclosed herein may be used for disposal of forensic waste material from crime scenes and environmental waste.

The apparatus disclosed herein provides a biodegradable bag **101** composed of a lightweight biodegradable material, for example, a polymer, paper, etc. The biodegradable bag **101** has an open end and a closed end. The biodegradable bag **101** comprises a catch clip **102**, a pull stick **103**, and an adhesive strip **104**. The catch clip **102** is affixed at the closed end of the biodegradable bag **101**. The catch clip **102** seizes the sanitary product **501** into the biodegradable bag **101**. The pull stick **103** in the biodegradable bag **101** allows the sanitary product **501** to be pulled into the biodegradable bag **101** without coming in contact with the user. The adhesive strip **104** seals the biodegradable bag **101** when the user twists the open end of the biodegradable bag **101** thereby making the biodegradable bag **101** airtight.

FIG. 2 exemplarily illustrates a catch clip **102** affixed at the closed end of the biodegradable bag **101**. The catch clip **102**

comprises two sections, namely a clamp section **102a** and a claw section **102b**. The clamp section **102a** of the catch clip **102** is present inside the biodegradable bag **101** and the claw section **102b** of the catch clip **102** protrudes outside the biodegradable bag **101**. The material of the catch clip **102** may be a biodegradable material, for example, plastic, wood, etc. The claw section **102b** may comprise a soft tip made of a soft gel like material to prevent injury to the user during seizure of the sanitary product **501**. For example, when a female user tries to seize a short string of a tampon, the soft tip of the claw section **102b** will not injure the female user. The user presses the clamp section **102a** of the catch clip **102** to open the claw section **102b** of the catch clip **102**. The claw section **102b** seizes the sanitary product **501** into the biodegradable bag **101**. After the sanitary product **501** is seized, the user releases the clamp section **102a** to close the claw section **102b** thereby enclosing the sanitary product **501**. The user then pulls the sanitary product **501** held by the claw section **102b** into the biodegradable bag **101**.

FIGS. 3A-3B exemplarily illustrate a front view and a side view of the pull stick **103** provided in the biodegradable bag **101** respectively. The pull stick **103** may be made of a biodegradable material, for example, a rigid plastic. The pull stick **103** comprises a fixed lower section and a movable upper section. The movable upper section comprises the prongs **103a** for opening the biodegradable bag **101** prior to seizing of the sanitary product **501** into the biodegradable bag **101**. The prongs **103a** may be expanded for keeping the biodegradable bag **101** open as illustrated in FIG. 3C. In one embodiment of the apparatus disclosed herein, the prongs **103a** of the pull stick **103** bend during seizing of the sanitary product **501** into the biodegradable bag **101**. The pull stick **103** holds the biodegradable bag **101** in a predefined position over the sanitary product **501** and enables the user to invert the biodegradable bag **101** containing the seized sanitary product **501** thereby preventing the user from coming in contact with the sanitary product **501**.

FIG. 4 illustrates a method of disposing a sanitary product **501** hygienically. The method disclosed herein provides **401a** biodegradable bag **101** comprising a catch clip **102** affixed at the closed end of the biodegradable bag **101**, a pull stick **103** comprising a pair of prongs **103a**, and an adhesive strip **104** affixed towards the open end of the biodegradable bag **101**. In the method disclosed herein, the user unfolds the biodegradable bag **101** comprising the catch clip **102** and the pull stick **103**. The user bends the prongs **103a** of the pull stick **103** to one side of the biodegradable bag **101** and positions **402** the prongs **103a** to open the biodegradable bag **101**. The user then advances **403** the pull stick **103** along the inner surface of the biodegradable bag **101** as illustrated in FIG. 5A.

The user holds the biodegradable bag **101** with one hand in a predefined position over the sanitary product **501** using the pull stick **103**. The user presses the clamp section **102a** of the catch clip **102** with the user's free hand to open the claw section **102b** of the catch clip **102** as illustrated in FIG. 5B. The user then seizes **404** the sanitary product **501** into the biodegradable bag **101** using the open claw section **102b** of the catch clip **102** as illustrated in FIG. 5C. The pull stick **103** holds the biodegradable bag **101** in place over the seized sanitary product **501**. While seizing the sanitary product **501** into the biodegradable bag **101**, the user inverts **405** the biodegradable bag **101** using the pull stick **103**. The inverted biodegradable bag **101** contains the seized sanitary product **501** as illustrated by FIG. 5D. The user then seals **406** the open end of the biodegradable bag **101** using the adhesive strip **104** by twisting the open end of the biodegradable bag **101** containing the seized sanitary product **501** as illustrated in FIG.

**5E**. The adhesive strip **104** facilitates airtight sealing of the biodegradable bag **101**. The biodegradable bag **101** containing the used sanitary product **501** is then ready for disposal.

The biodegradable bag **101** collects the sanitary product **501** without physical contact between the user and the sanitary product **501** thereby providing hygienic disposal of the sanitary product **501**.

The biodegradable bag **101** may be of different sizes for accommodating different sanitary products. For example, a small sized biodegradable bag **101** is used to dispose a sanitary napkin, a tampon, or a condom whereas a larger sized biodegradable bag **101** is used to dispose a baby diaper or an adult diaper.

The foregoing examples have been provided merely for the purpose of explanation and are in no way to be construed as limiting of the present method and system disclosed herein. While the invention has been described with reference to various embodiments, it is understood that the words, which have been used herein, are words of description and illustration, rather than words of limitation. Further, although the invention has been described herein with reference to particular means, materials and embodiments, the invention is not intended to be limited to the particulars disclosed herein; rather, the invention extends to all functionally equivalent structures, methods and uses, such as are within the scope of the appended claims. Those skilled in the art, having the benefit of the teachings of this specification, may effect numerous modifications thereto and changes may be made without departing from the scope and spirit of the invention in its aspects.

I claim:

**1.** An apparatus for hygienic disposal of a sanitary product, comprising:

a biodegradable bag for disposal of said sanitary product, wherein said biodegradable bag has an open end and a closed end;

a catch clip for seizing the sanitary product into the biodegradable bag, wherein said catch clip is affixed at said closed end of the biodegradable bag;

a pull stick comprising a pair of prongs for holding the biodegradable bag in a predefined position over said seized sanitary product during inversion of the biodegradable bag over the seized sanitary product; and

an adhesive strip affixed towards said open end of the biodegradable bag, wherein said adhesive strip provides airtight sealing of the biodegradable bag containing the seized sanitary product on twisting the open end of the biodegradable bag;

whereby the biodegradable bag prevents physical contact between a user and the sanitary product during the disposal of the sanitary product by said user; and whereby the biodegradable bag provides the hygienic disposal of the sanitary product.

**2.** The apparatus of claim **1**, wherein the sanitary product is one of a sanitary napkin, a tampon, a condom, a baby diaper, an adult diaper, and clinical waste.

**3.** The apparatus of claim **1**, wherein biodegradable material of the biodegradable bag comprises one of a polymer and paper.

**4.** The apparatus of claim **1**, wherein the catch clip comprises a clamp section and a claw section, wherein said clamp section is present inside the biodegradable bag and said claw section protrudes outside the biodegradable bag.

**5.** The apparatus of claim **4**, wherein the clamp section is pressed by the user to open the claw section for seizing the sanitary product into the biodegradable bag.

5

6. The apparatus of claim 1, wherein said pull stick comprises a fixed lower section and a movable upper section, wherein said movable upper section comprises said prongs for opening the biodegradable bag prior to said seizing of the sanitary product into the biodegradable bag.

7. A method of disposing a sanitary product hygienically, comprising the steps of:

- providing a biodegradable bag comprising a catch clip affixed at closed end of said biodegradable bag, a pull stick comprising a pair of prongs, and an adhesive strip affixed towards open end of the biodegradable bag;
- positioning said prongs of said pull stick for opening the biodegradable bag;

6

advancing the pull stick along inner surface of the biodegradable bag for holding the biodegradable bag in a predefined position to seize said sanitary product into said open biodegradable bag;

5 seizing the sanitary product into the open biodegradable bag using said catch clip, wherein the biodegradable bag is inverted over said seized sanitary product; and

10 sealing the biodegradable bag airtight using said adhesive strip by twisting said open end of the biodegradable bag containing the seized sanitary product.

\* \* \* \* \*