

(12) **United States Design Patent**  
Orton et al.

(10) **Patent No.:** US D757,152 S  
(45) **Date of Patent:** \*\* May 24, 2016

(54) **DEVICE HOLDER AND ACTIVATION APPARATUS**

(71) Applicant: **KNEKT Industries Ltd.**, Kailua, HI (US)

(72) Inventors: **Benjamin Bodi Orton**, Clearlake, WA (US); **Kyle Christopher Maligro**, Kalaheo, HI (US); **Harry Reed Antipala**, Kailua, HI (US)

(73) Assignee: **KNEKT Industries Ltd.**, Kailua, HI (US)

(\*\*) Term: **15 Years**

(21) Appl. No.: **29/528,486**

(22) Filed: **May 28, 2015**

**Related U.S. Application Data**

(63) Continuation of application No. 29/486,720, filed on Apr. 2, 2014, now Pat. No. Des. 730,973.

(51) **LOC (10) Cl.** ..... **16-05**

(52) **U.S. Cl.**  
USPC ..... **D16/242**

(58) **Field of Classification Search**

USPC ..... D16/205, 208, 211, 214, 218–220, 235, D16/237–250, 302, 303; D8/349, 354, 363, D8/394, 395  
CPC ..... G03B 17/02; G03B 17/14; G03B 17/26; G03B 17/30; G03B 17/56; G03B 17/561–17/568; H04N 5/2251–5/2254; F16M 11/14; F16M 11/26; F16M 13/04; B66F 3/10  
See application file for complete search history.

(56) **References Cited**

**U.S. PATENT DOCUMENTS**

2,920,853 A \* 1/1960 Bufogle ..... E03D 1/33 108/49  
D226,237 S \* 1/1973 Quinn ..... D16/239

D283,031 S \* 3/1986 Sadre-Marandi ..... D10/38  
D367,284 S \* 2/1996 Hoerter ..... D16/242  
D597,121 S \* 7/2009 McKay ..... D16/245  
D663,190 S \* 7/2012 Mota ..... D16/242  
D663,609 S \* 7/2012 Ogden, Jr. .... D8/354  
D690,760 S \* 10/2013 Huang ..... D16/242  
D701,261 S \* 3/2014 Burton ..... D16/242  
D701,554 S \* 3/2014 Huguley ..... D16/243  
D707,744 S \* 6/2014 Shimizu ..... D16/206  
D715,847 S \* 10/2014 Herrero ..... D16/243  
D730,973 S \* 6/2015 Orton ..... D16/243  
2004/0164211 A1 \* 8/2004 Orona ..... B60N 2/4666 248/214

\* cited by examiner

*Primary Examiner* — Susan Bennett Hattan

*Assistant Examiner* — Vy Koenig

(74) *Attorney, Agent, or Firm* — Ash Tankha; Lipton, Weinberger & Husick

(57) **CLAIM**

The ornamental design for a device holder and activation apparatus, as shown and described.

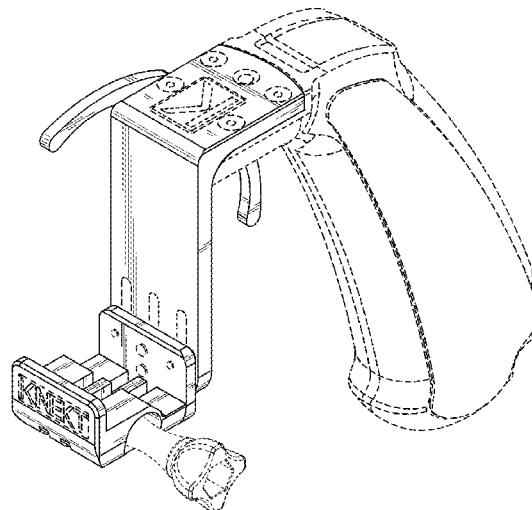
**DESCRIPTION**

FIG. 1 is a right side isometric view of an ornamental design for a device holder and activation apparatus;  
FIG. 2 is a front elevation view thereof;  
FIG. 3 is a rear elevation view thereof;  
FIG. 4 is a top plan view thereof;  
FIG. 5 is a bottom view thereof;  
FIG. 6 is a right side elevation view thereof;  
FIG. 7 is a left side elevation view thereof; and,  
FIG. 8 is a left side isometric view thereof.

The broken line showing of portions of the drawings in FIGS. 1-8 depict portions of the device holder and activation apparatus that forms no part of the claimed design.

The mark “KNEKT” shown in broken lines is a trademark for which an application has been filed for registration, U.S. Trademark Serial No. 86320821, and owned by KNEKT Industries Ltd.

**1 Claim, 8 Drawing Sheets**



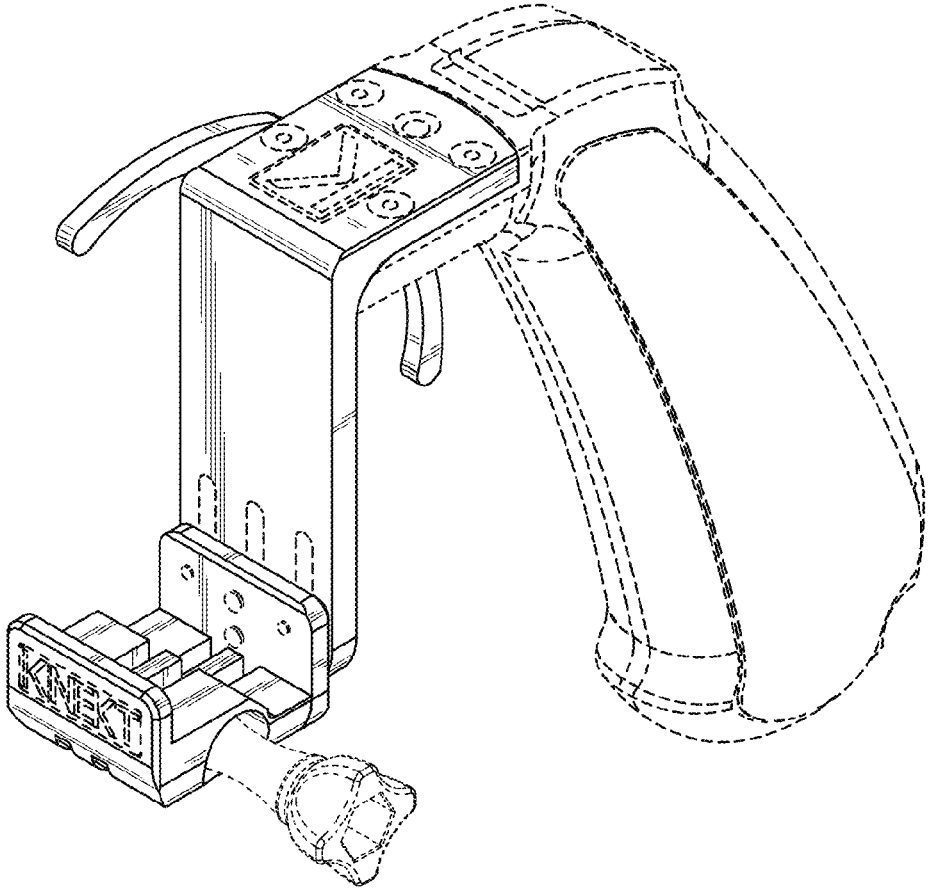


FIG. 1

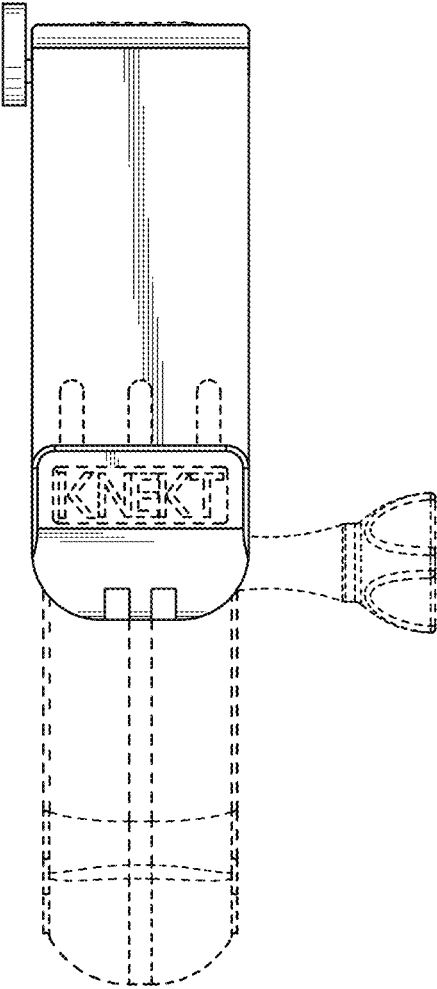


FIG. 2

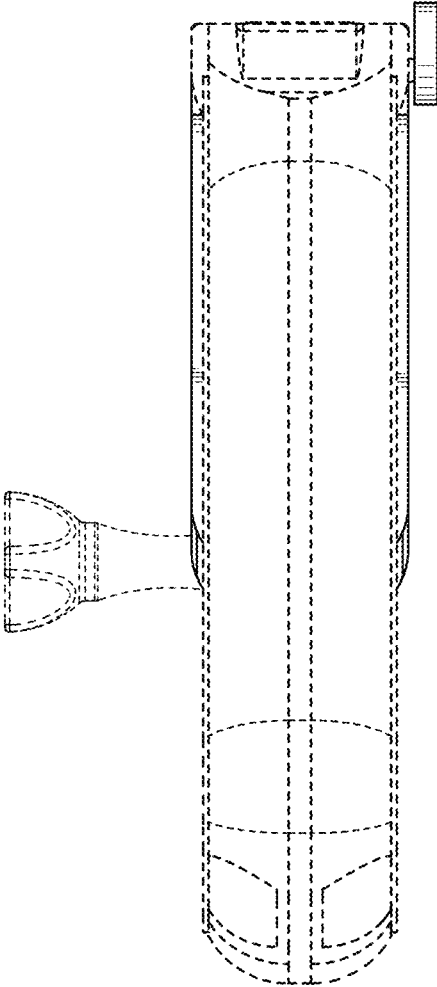


FIG. 3

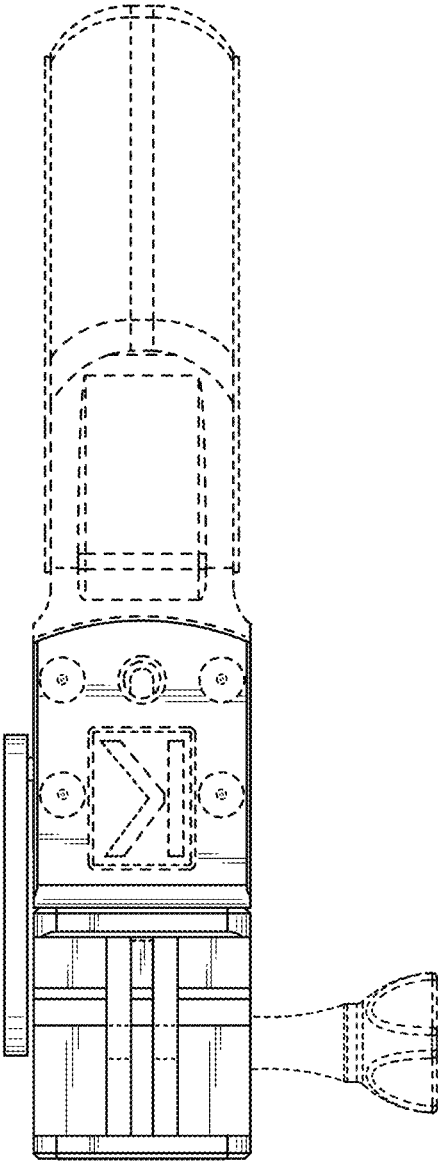


FIG. 4

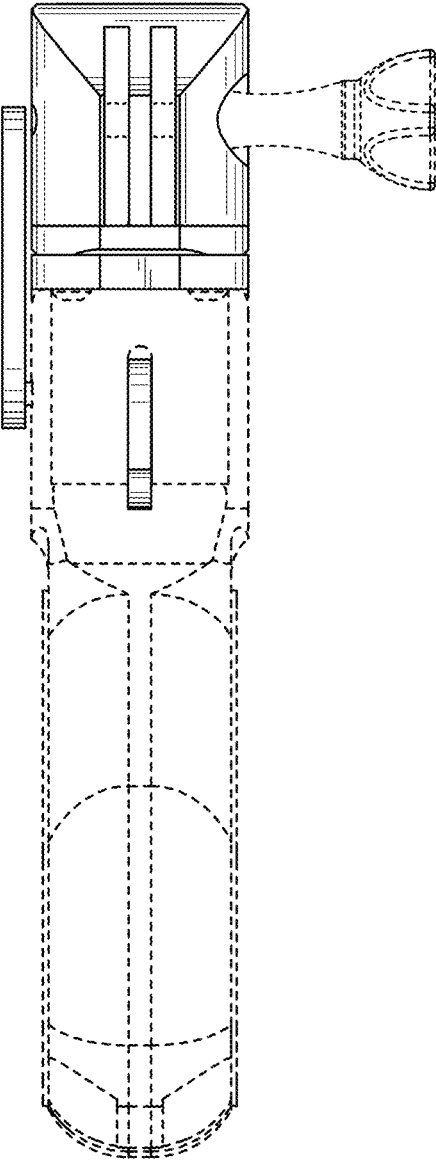


FIG. 5

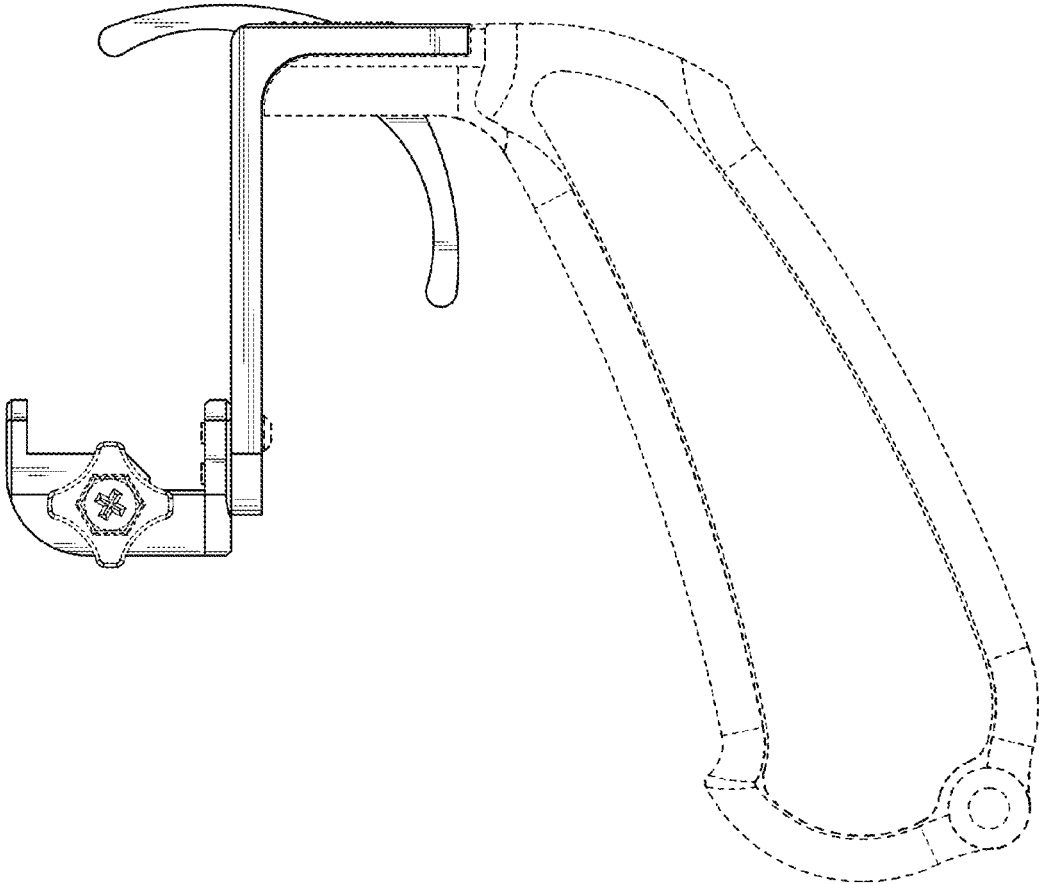


FIG. 6

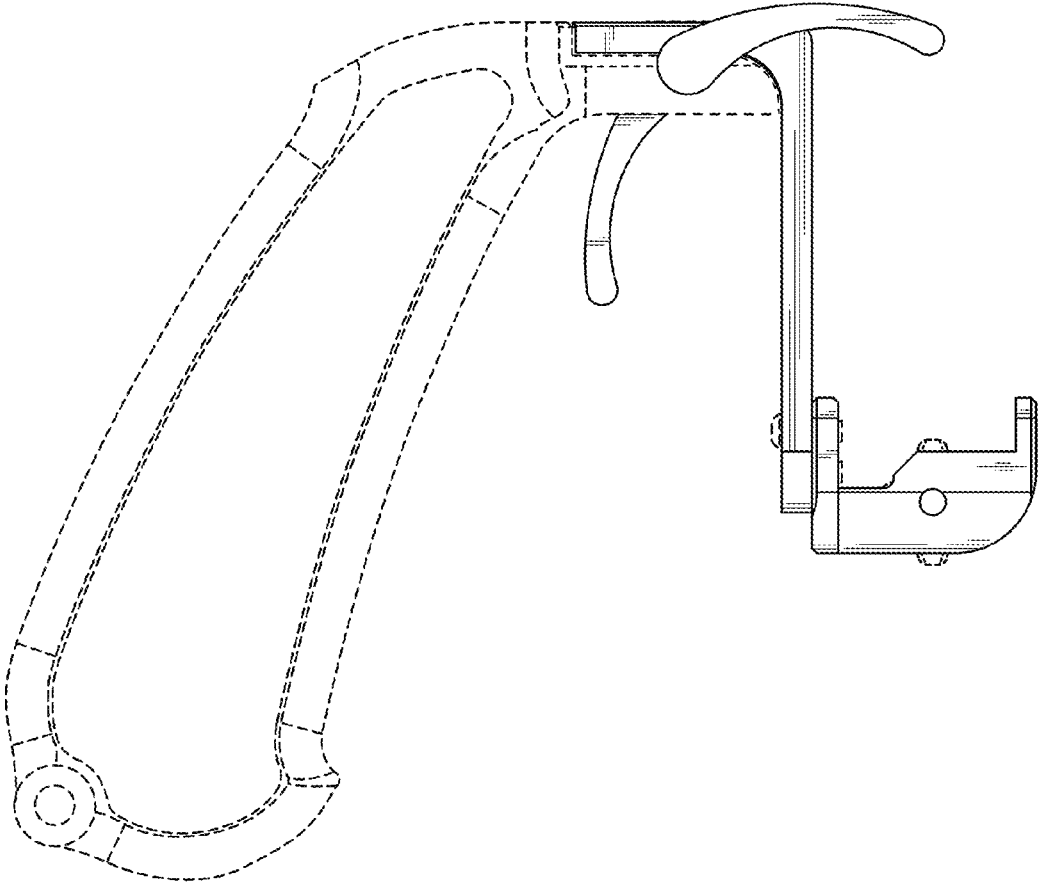


FIG. 7



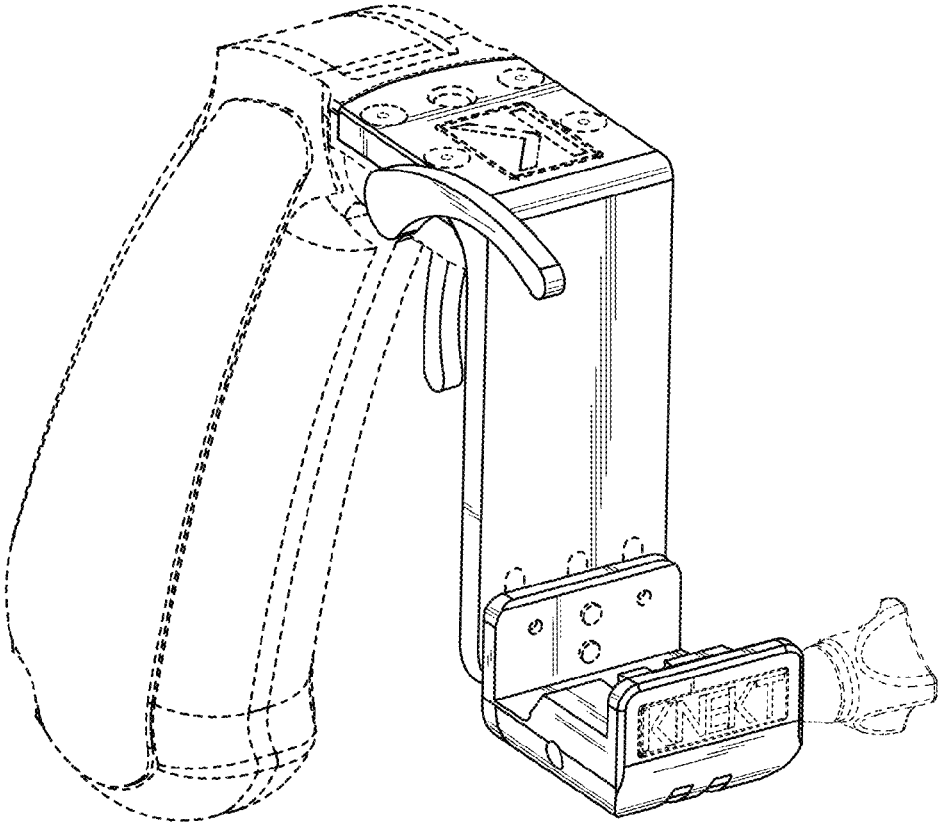


FIG. 8