



(12) **United States Design Patent**
Shalon et al.

(10) **Patent No.:** **US D753,825 S**
(45) **Date of Patent:** **** Apr. 12, 2016**

(54) **TRANSPARENT ANAL PLUG**

(56) **References Cited**

(71) Applicant: **Renew Medical, Inc.**, Palo Alto, CA (US)

U.S. PATENT DOCUMENTS

(72) Inventors: **Tidhar Shalon**, Palo Alto, CA (US);
Guy Kotlizky, Kfar-Shemaryahu (IL)

2,653,599	A *	9/1953	Bell	A61F 5/0093	128/98.1
3,939,842	A *	2/1976	Harris	A61F 5/0093	607/113
4,686,985	A *	8/1987	Lottick	A61M 29/02	606/192
5,030,199	A *	7/1991	Barwick	A61F 2/0018	600/29
5,722,931	A *	3/1998	Heaven	A61F 2/0009	600/29
7,553,273	B2 *	6/2009	Ferguson	A61F 2/0009	600/29
8,439,819	B2 *	5/2013	Shalon	A61F 2/0009	600/29
D724,731	S *	3/2015	Shalon	D24/141	
D737,970	S *	9/2015	Shalon	D24/141	

(73) Assignee: **Renew Medical, Inc.**, Palo Alto, CA (US)

(**) Term: **14 Years**

(21) Appl. No.: **29/520,946**

(22) Filed: **Mar. 19, 2015**

* cited by examiner

Related U.S. Application Data

Primary Examiner — Wan Laymon
(74) *Attorney, Agent, or Firm* — Ash Tankha; Lipton, Weinberger & Husick

(60) Continuation-in-part of application No. 29/464,761, filed on Aug. 21, 2013, now Pat. No. Des. 737,967, which is a division of application No. 29/423,622, filed on Jun. 3, 2012, now Pat. No. Des. 691,262.

(57) **CLAIM**
The ornamental design for a transparent anal plug, as shown and described.

(51) **LOC (10) Cl.** **24-02**
(52) **U.S. Cl.**
USPC **D24/141**

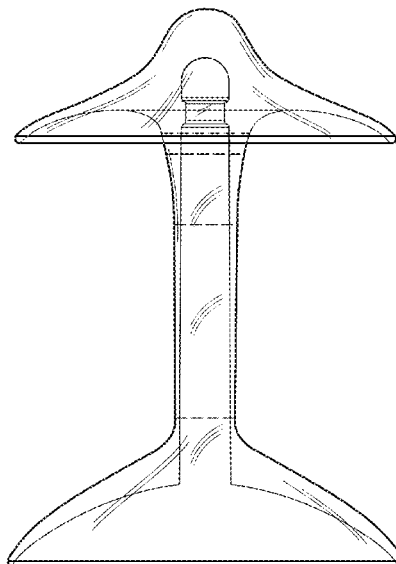
DESCRIPTION

(58) **Field of Classification Search**
USPC D24/133, 140-141, 107; 128/885; 600/29-30, 32; 604/332, 335, 337; 606/114, 191, 197
CPC ... A61F 5/0093; A61F 2/0009; A61F 2/0004; A61F 2/0022

FIG. 1 is a front view of a transparent anal plug showing our design; the rear view is a mirror image of the front view; FIG. 2 is a right side view thereof; the left side view is a mirror image of the right side view; FIG. 3 is a top view thereof; FIG. 4 is a bottom view thereof; and, FIG. 5 is cross section view taken in the direction of line 5-5 of FIG. 3.
The broken lines shown in the figures represent portions of the transparent anal plug that form no part of the claimed design.

See application file for complete search history.

1 Claim, 4 Drawing Sheets



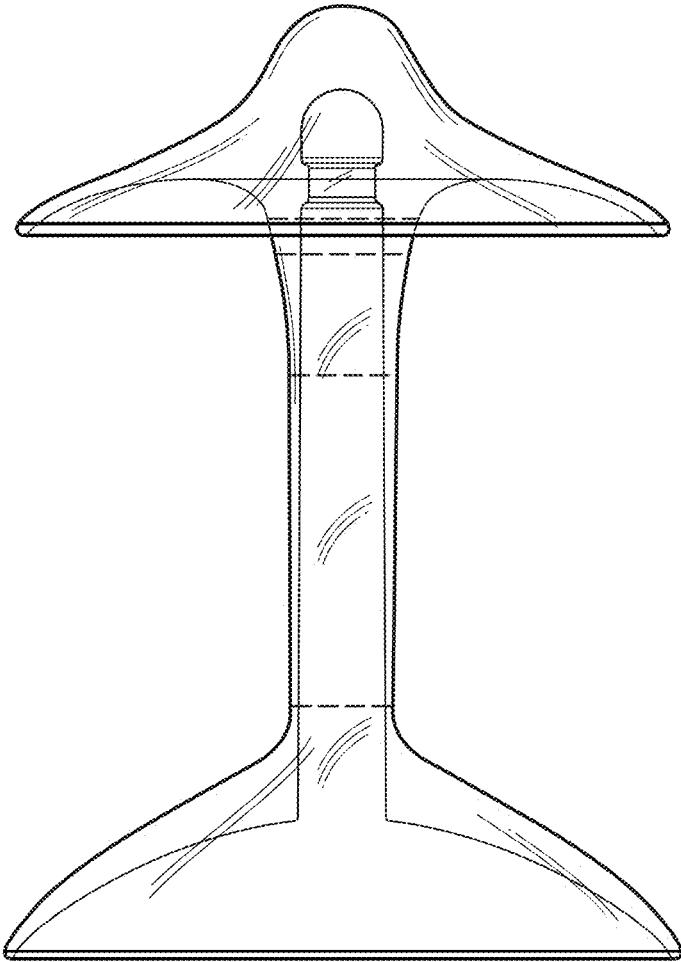


FIG. 1

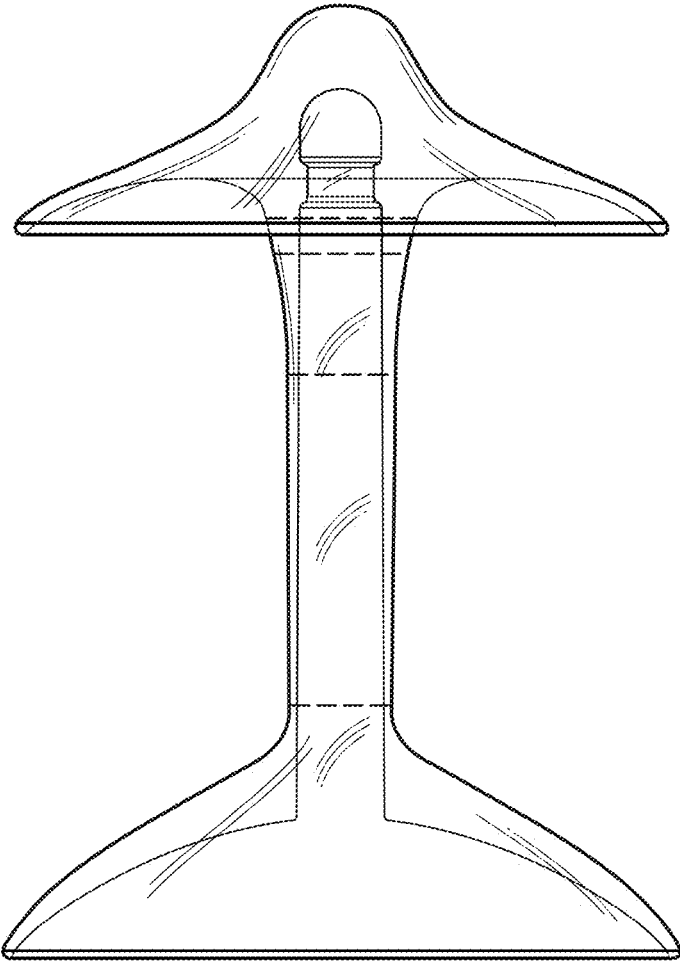


FIG. 2

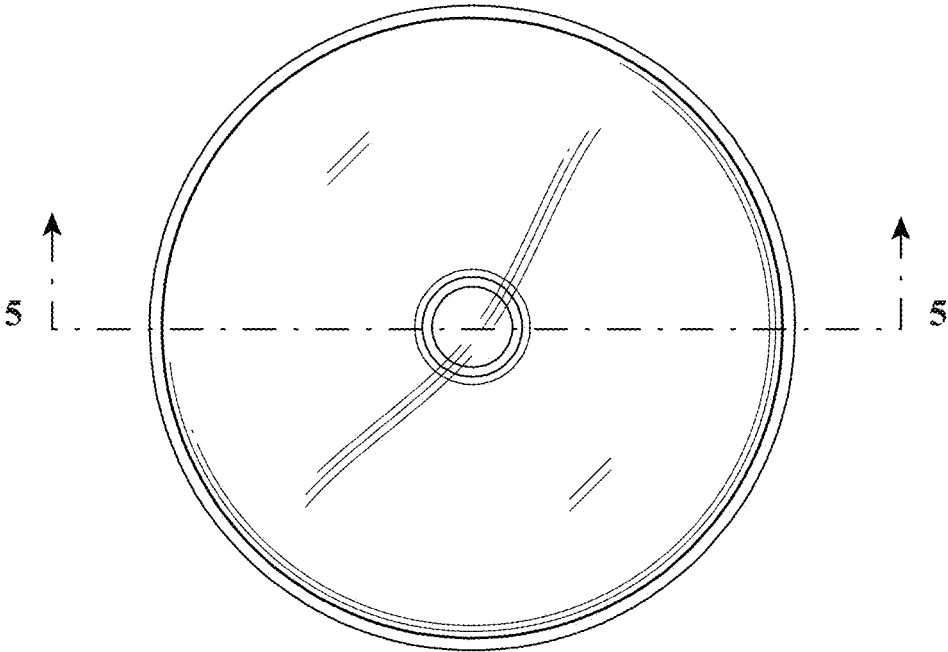


FIG. 3

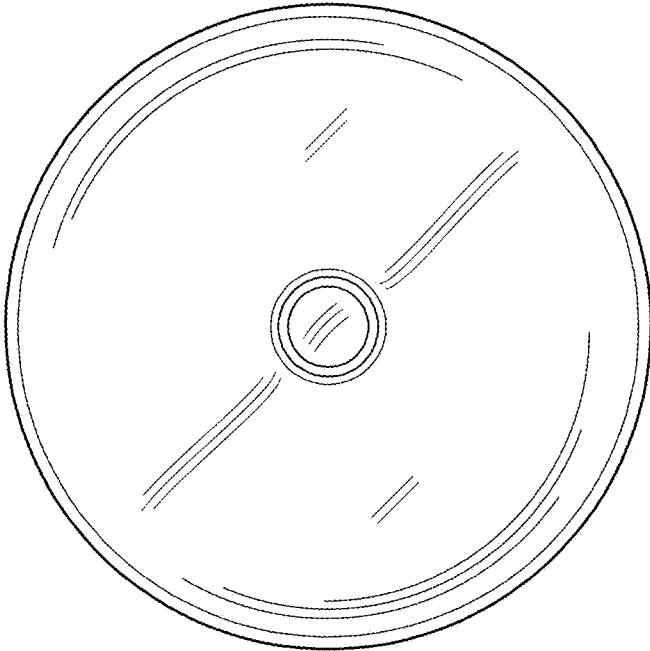


FIG. 4

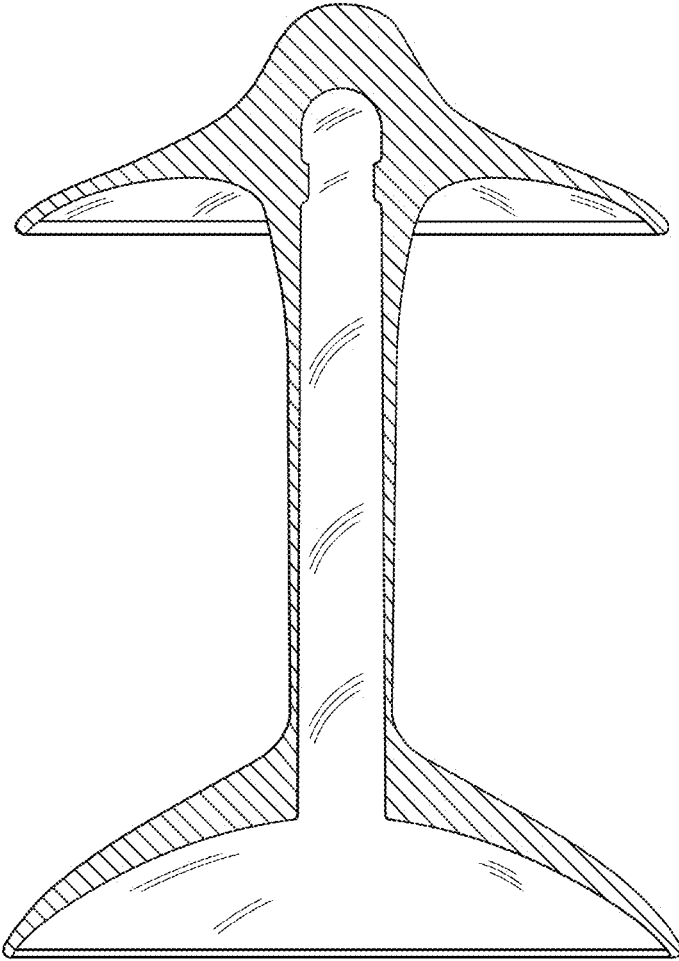


FIG. 5