



US00D740895S

(12) **United States Design Patent**
Slowey

(10) **Patent No.:** **US D740,895 S**

(45) **Date of Patent:** **** Oct. 13, 2015**

(54) **FITNESS TRAINING DEVICE WITH CONNECTION PORTS**

(71) Applicant: **Timothy John Slowey**, North Attleboro, MA (US)

(72) Inventor: **Timothy John Slowey**, North Attleboro, MA (US)

(**) Term: **14 Years**

(21) Appl. No.: **29/501,114**

(22) Filed: **Sep. 2, 2014**

(51) **LOC (10) Cl.** **21-02**

(52) **U.S. Cl.**
USPC **D21/680**

(58) **Field of Classification Search**

USPC D21/688, 662, 686, 679, 691, 682, 694, D21/753, 400, 723, 775, 726, 672, 684, D21/681; D24/211, 212, 214; 601/120; 36/134; 29/428; 12/142 P; 482/50, 106, 482/139, 46, 107, 129, 121, 102, 45, 92, 93, 482/44, 108, 110, 111, 94, 105, 109, 49, 482/141; 604/1; 446/170; 135/77; D7/682, D7/669; D8/376, 378, 77; D3/7; D10/81; D25/126; 473/256

See application file for complete search history.

(56) **References Cited**

U.S. PATENT DOCUMENTS

D248,535 S *	7/1978	Sjostrom et al.	D8/14
D271,407 S *	11/1983	Wright	D21/682
D274,283 S *	6/1984	Wright	D21/682
D274,404 S *	6/1984	Adler	D8/28
4,629,184 A *	12/1986	Selkee	482/106
4,902,005 A *	2/1990	McNeill	482/93
D307,168 S *	4/1990	Vodhanel	D21/682
5,024,434 A *	6/1991	Smith	482/107
D321,230 S *	10/1991	Leonesio	D21/682

(Continued)

Primary Examiner — Robert M Spear

Assistant Examiner — Ryan Harvey

(74) *Attorney, Agent, or Firm* — Ash Tankha; Lipton, Weinberger & Husick

(57) **CLAIM**

The ornamental design for a fitness training device with connection ports, as shown and described.

DESCRIPTION

FIG. 1 is an isometric view of an ornamental design for a fitness training device with connection ports, showing sectional lines 2-2, 3-3, and 4-4;

FIG. 2 is a sectional view thereof taken along the sectional line 2-2 shown in FIG. 1;

FIG. 3 is a sectional view thereof taken along the sectional line 3-3 shown in FIG. 1;

FIG. 4 is a sectional view thereof taken along the sectional line 4-4 shown in FIG. 1;

FIG. 5 is a top perspective view thereof;

FIG. 6 is a bottom perspective view thereof;

FIG. 7 is a top plan view thereof;

FIG. 8 is a bottom view thereof;

FIG. 9 is a right side elevation view thereof, the left side elevation view being a mirror image thereof;

FIG. 10 is a front elevation view thereof;

FIG. 11 is a perspective view showing the fitness training device with connection ports held in each hand of a user;

FIG. 12 is a perspective view showing the fitness training device with connection ports positioned on a foot of a user;

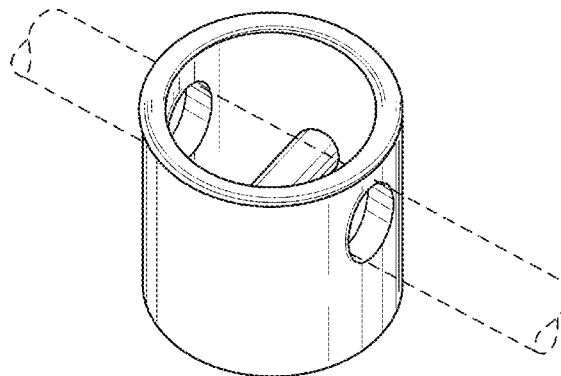
FIG. 13 is an isometric view of the fitness training device with connection ports, showing a straight bar inserted through the connection ports;

FIG. 14 is a side elevation view thereof in an inverted position, showing connection of a resistance chain through a connection port; and,

FIG. 15 is a side elevation view thereof in an inverted position, showing connection of a resistance band through a connection port.

The broken line showing of the user in FIG. 11, the leg of the user in FIG. 12, the straight bar in FIG. 13, the resistance chain in FIG. 14, and the resistance band in FIG. 15 is for the purpose of illustrating environment and forms no part of the claimed design.

1 Claim, 13 Drawing Sheets



(56)

References Cited

U.S. PATENT DOCUMENTS

5,080,349	A *	1/1992	Vittone	482/106	6,652,420	B2 *	11/2003	Chen	482/45
D372,945	S *	8/1996	Morgan	D21/682	6,921,352	B1 *	7/2005	Stearns	482/44
5,730,689	A *	3/1998	Haugen	482/139	D661,902	S *	6/2012	Italiano	D3/313
6,039,679	A *	3/2000	Yu	482/110	D724,551	S *	3/2015	Kaneko et al.	D13/182
D438,265	S *	2/2001	Fenelon	D21/682	2006/0116256	A1 *	6/2006	Carney	482/106
D480,438	S *	10/2003	Walkow	D21/681	2013/0035218	A1 *	2/2013	Wierszewski	482/106
					2014/0206509	A1 *	7/2014	Hodes et al.	482/106
					2014/0256515	A1 *	9/2014	Jones et al.	482/93

* cited by examiner

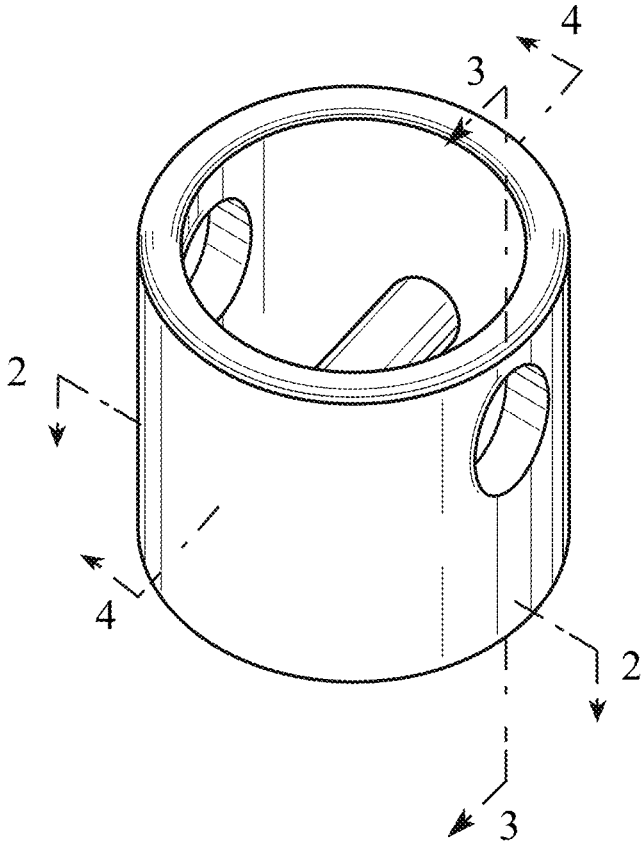


FIG. 1

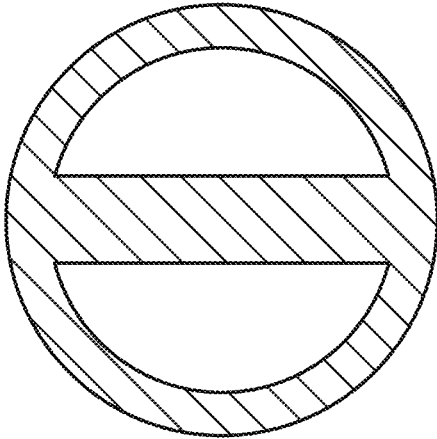


FIG. 2

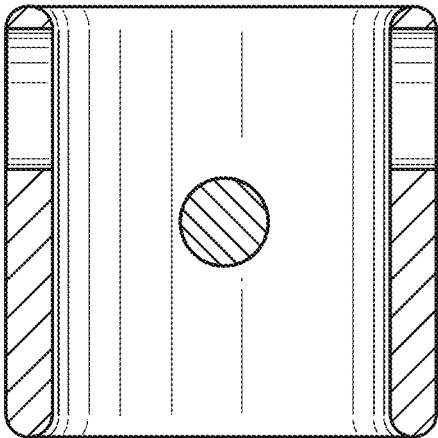


FIG. 3

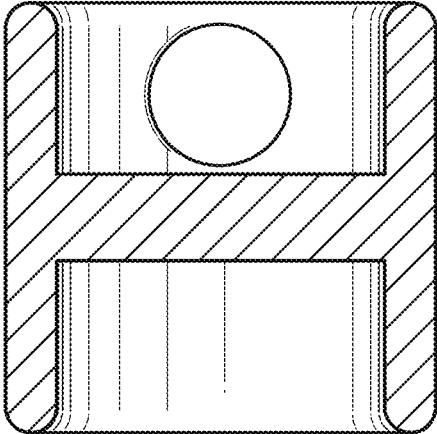


FIG. 4

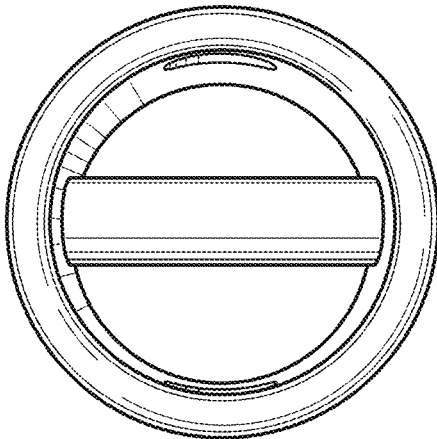


FIG. 5

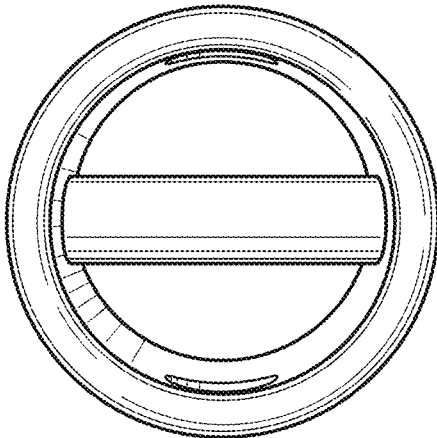


FIG. 6

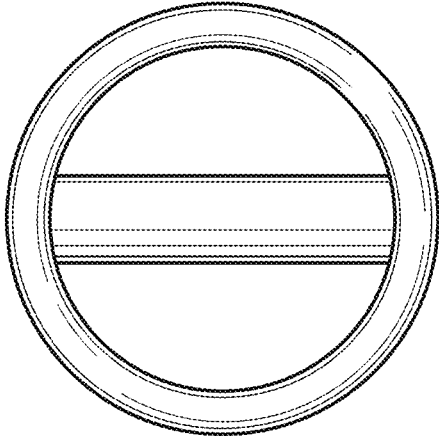


FIG. 7

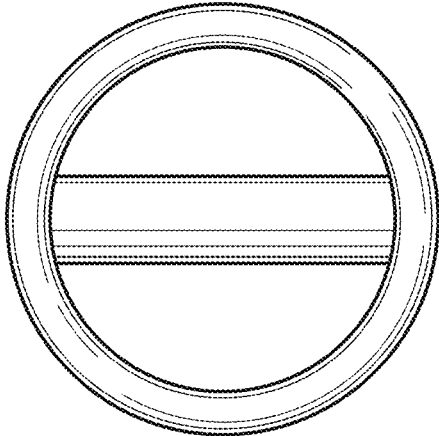


FIG. 8

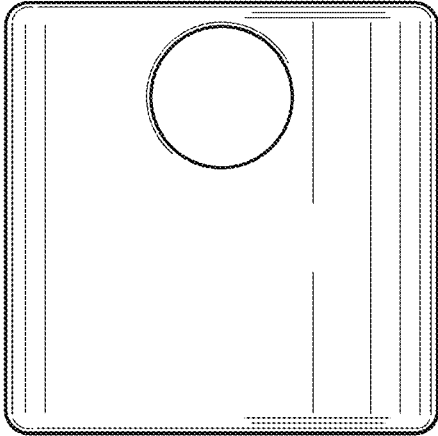


FIG. 9

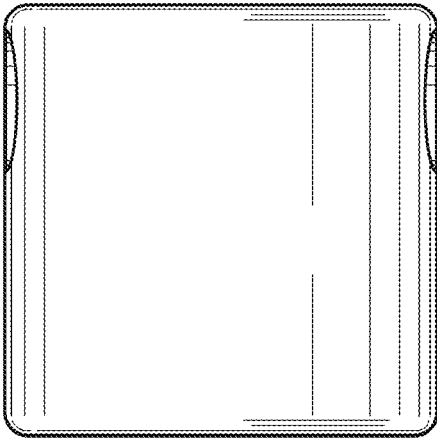


FIG. 10

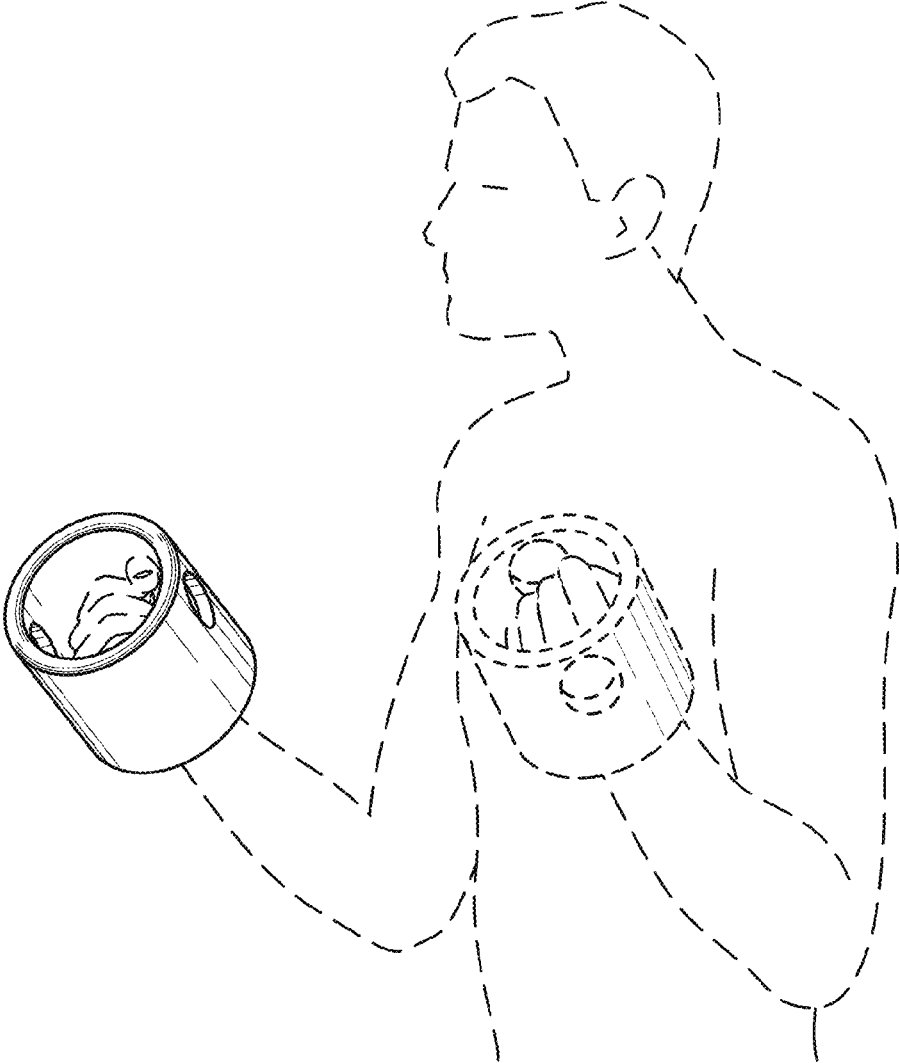


FIG. 11

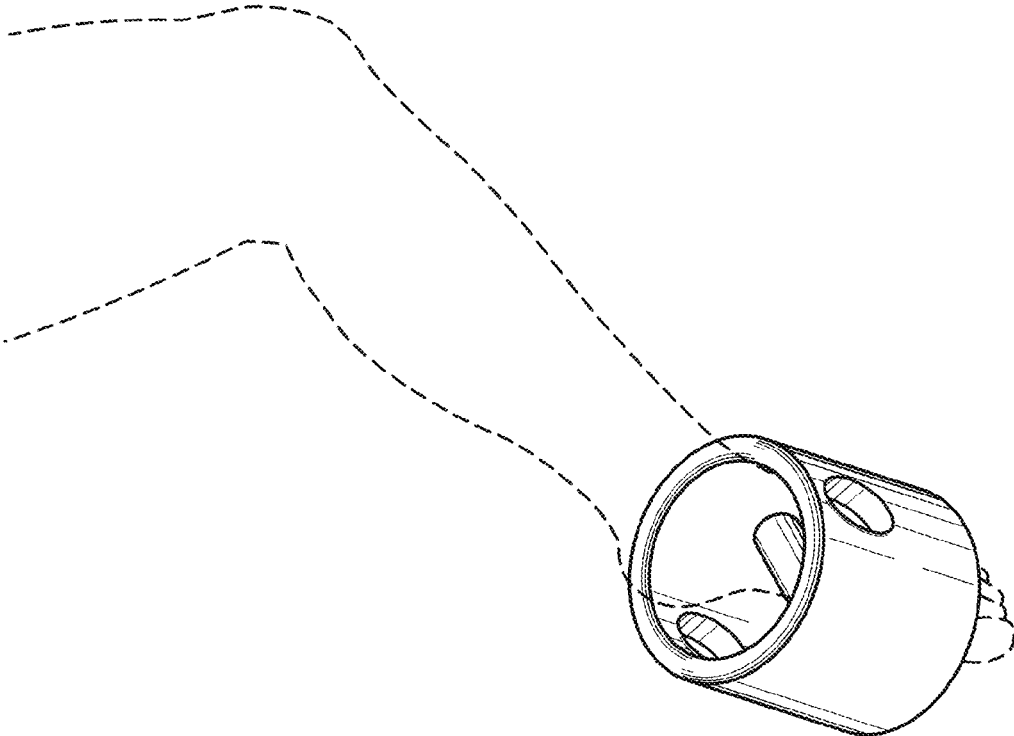


FIG. 12

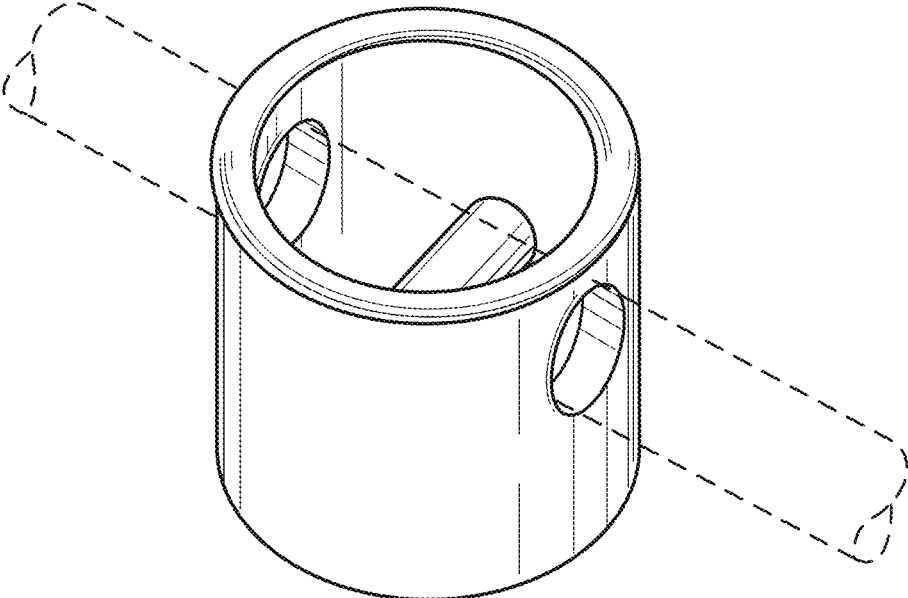


FIG. 13

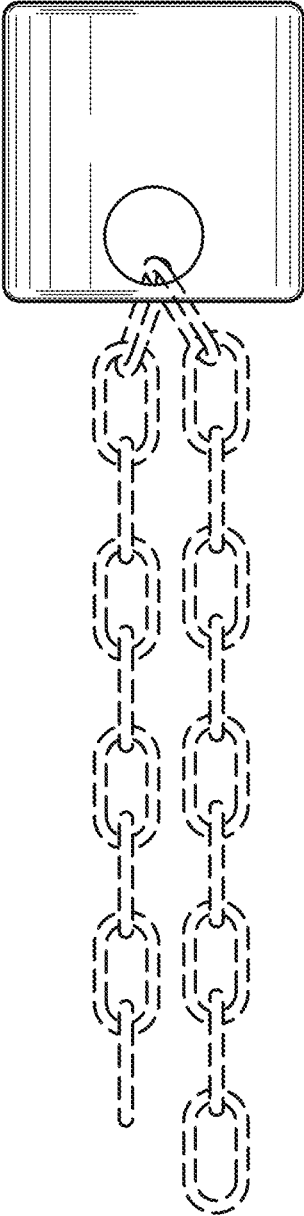


FIG. 14

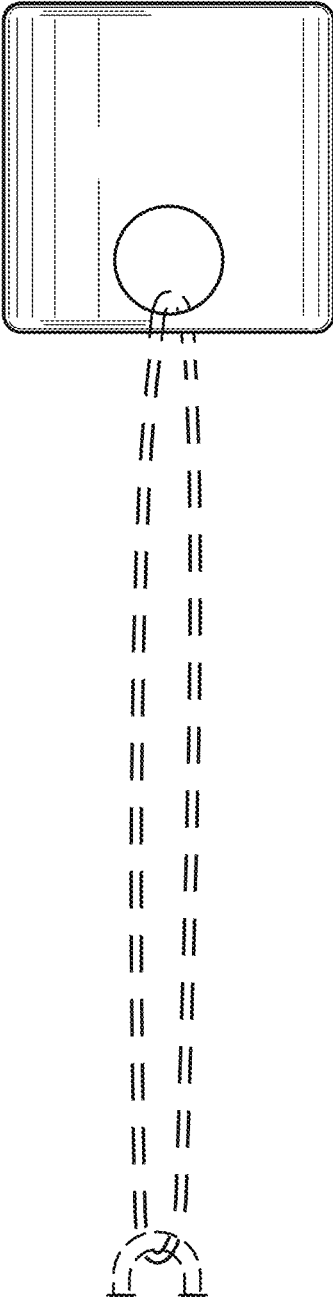


FIG. 15