



US00D740894S

(12) **United States Design Patent**
Slowey

(10) **Patent No.:** **US D740,894 S**

(45) **Date of Patent:** **** Oct. 13, 2015**

- (54) **FITNESS TRAINING DEVICE**
- (71) Applicant: **Timothy John Slowey**, North Attleboro, MA (US)
- (72) Inventor: **Timothy John Slowey**, North Attleboro, MA (US)
- (**) Term: **14 Years**
- (21) Appl. No.: **29/499,094**
- (22) Filed: **Aug. 12, 2014**
- (51) **LOC (10) Cl.** **21-02**
- (52) **U.S. Cl.**
USPC **D21/680**
- (58) **Field of Classification Search**
USPC D21/688, 662, 686, 679, 691, 682, 694, D21/753, 400, 723, 775, 726, 672, 684, D21/681; D24/211, 212, 214; 601/120; 36/134; 29/428; 12/142 P; 482/50, 106, 482/139, 46, 107, 129, 121, 102, 45, 92, 93, 482/44, 108, 110, 111, 94, 105, 109, 49, 482/141; 604/1; 446/170; 135/77; D7/682, D7/669; D3/7; D10/81; D25/126; 473/256
See application file for complete search history.

2006/0116256	A1*	6/2006	Carney	482/106
2013/0035218	A1*	2/2013	Wierszewski	482/106
2014/0206509	A1*	7/2014	Hodes et al.	482/106
2014/0256515	A1*	9/2014	Jones et al.	482/93

OTHER PUBLICATIONS

Belletbell by Bulletbells LLC. No Date given. found online [Jun. 8, 2015] <http://bulletbells.com/>*

* cited by examiner

Primary Examiner — Robert M Spear

Assistant Examiner — Ryan Harvey

(74) *Attorney, Agent, or Firm* — Ash Tankha; Lipton, Weinberger & Husick

(57) **CLAIM**

The ornamental design for a fitness training device, as shown and described.

DESCRIPTION

FIG. 1 is an isometric view of an ornamental design for a fitness training device, showing sectional lines 2-2, 3-3, and 4-4;

FIG. 2 is a sectional view thereof taken along the sectional line 2-2 shown in FIG. 1;

FIG. 3 is a sectional view thereof taken along the sectional line 3-3 shown in FIG. 1;

FIG. 4 is a sectional view thereof taken along the sectional line 4-4 shown in FIG. 1;

FIG. 5 is a top perspective view thereof;

FIG. 6 is a bottom perspective view thereof;

FIG. 7 is a top plan view thereof;

FIG. 8 is a bottom elevation view thereof;

FIG. 9 is a right side elevation view thereof;

FIG. 10 is a left side elevation view thereof; and,

FIG. 11 is a perspective view showing the fitness training device being held in each hand of a user.

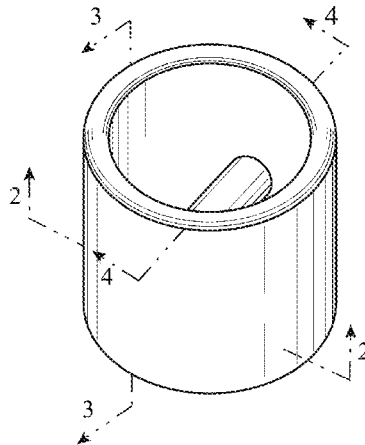
The broken line showing of the user in FIG. 11 is for the purpose of illustrating environment and forms no part of the claimed design.

(56) **References Cited**

U.S. PATENT DOCUMENTS

D271,407	S *	11/1983	Wright	D21/682
D274,283	S *	6/1984	Wright	D21/682
4,629,184	A *	12/1986	Selkee	482/106
4,902,005	A *	2/1990	McNeill	482/93
D307,168	S *	4/1990	Vodhanel	D21/682
5,024,434	A *	6/1991	Smith	482/107
D321,230	S *	10/1991	Leonesio	D21/682
5,080,349	A *	1/1992	Vittone	482/106
D372,945	S *	8/1996	Morgan	D21/682
5,730,689	A *	3/1998	Haugen	482/139
6,039,679	A *	3/2000	Yu	482/110
D438,265	S *	2/2001	Fenelon	D21/682
D480,438	S *	10/2003	Walkow	D21/681
6,652,420	B2 *	11/2003	Chen	482/45
6,921,352	B1 *	7/2005	Stearns	482/44

1 Claim, 8 Drawing Sheets



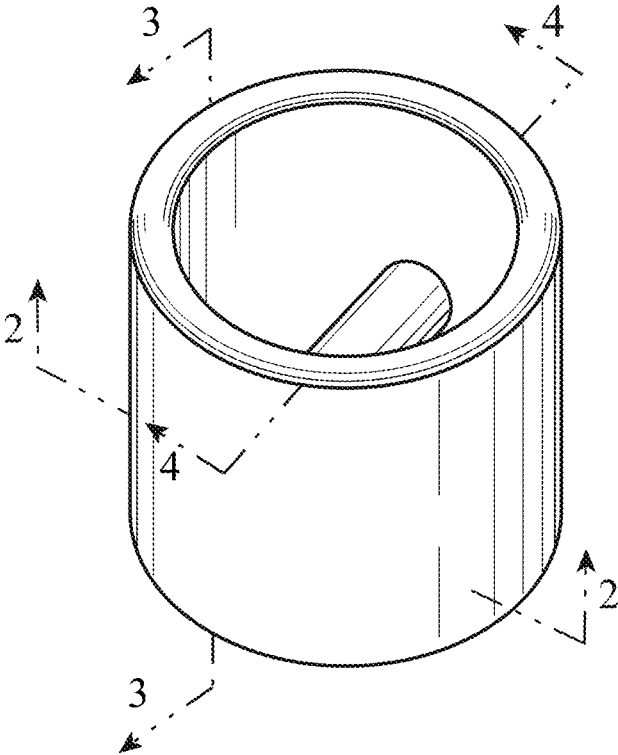


FIG. 1

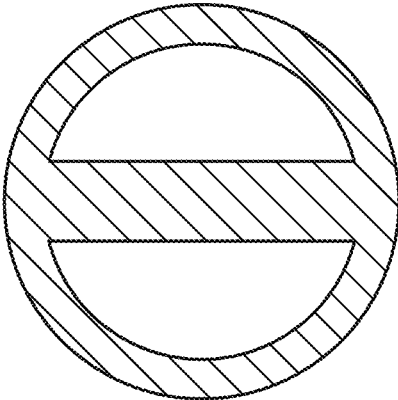


FIG. 2

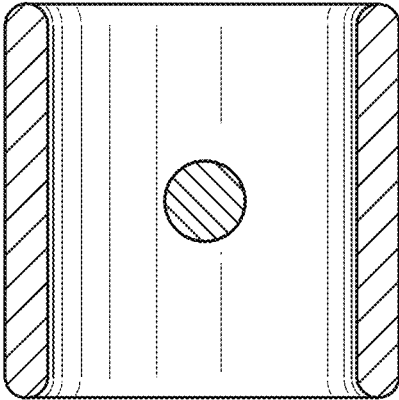


FIG. 3

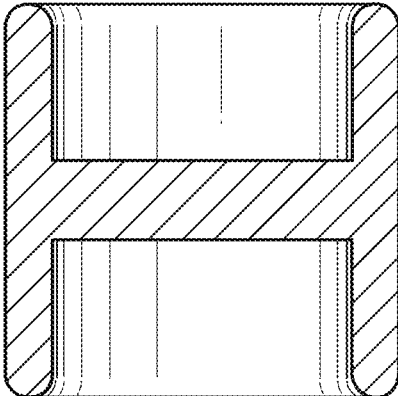


FIG. 4

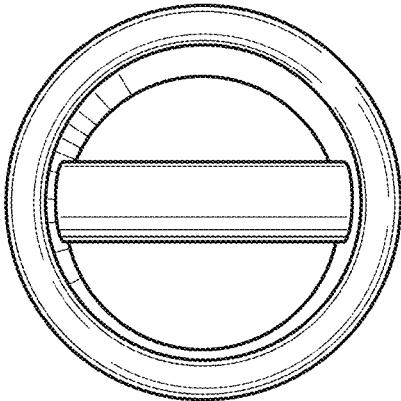


FIG. 5

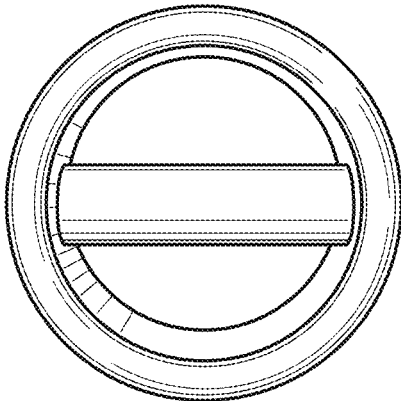


FIG. 6

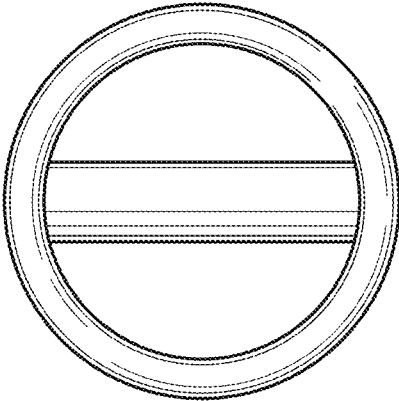


FIG. 7

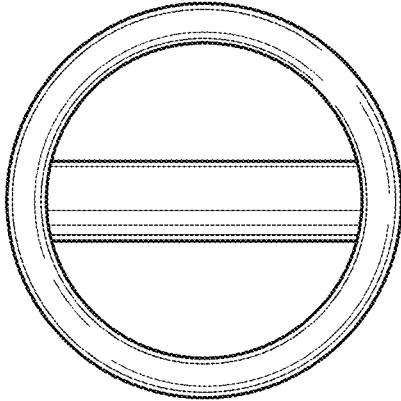


FIG. 8

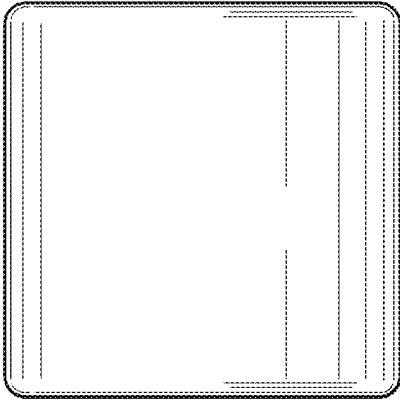


FIG. 9

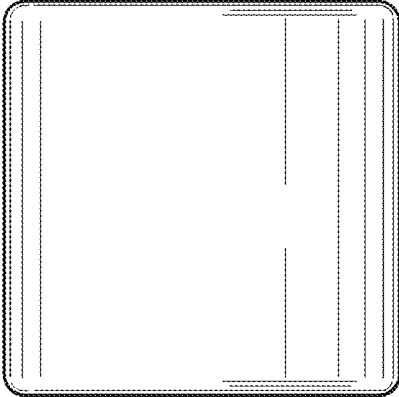


FIG. 10

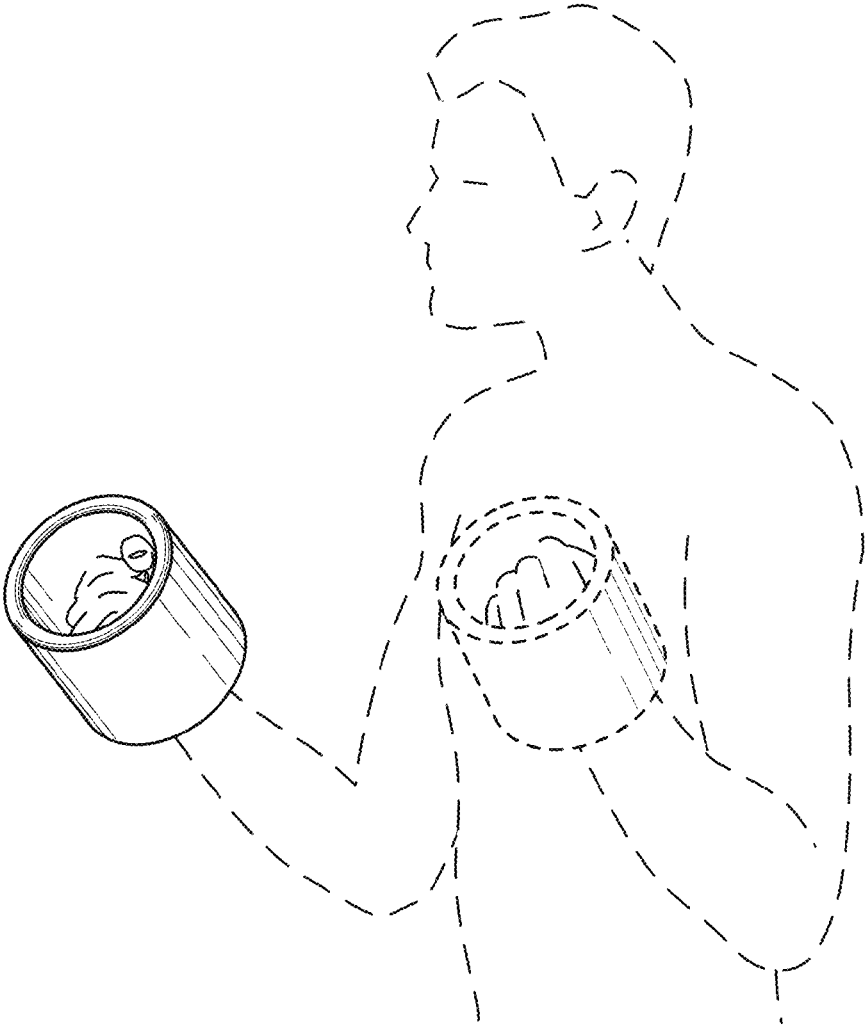


FIG. 11