



(12) **United States Design Patent**
Rey

(10) **Patent No.:** **US D736,610 S**
(45) **Date of Patent:** **** Aug. 18, 2015**

- (54) **SEALING APPARATUS**
- (71) Applicant: **Tomas Rey**, El Paso, TX (US)
- (72) Inventor: **Tomas Rey**, El Paso, TX (US)
- (**) Term: **14 Years**
- (21) Appl. No.: **29/457,629**
- (22) Filed: **Jun. 12, 2013**
- (51) **LOC (10) Cl.** **08-08**
- (52) **U.S. Cl.**
USPC **D8/394**
- (58) **Field of Classification Search**
USPC D8/72, 394, 395, 396, 356; D9/434,
D9/443; 140/82; 24/30.5 R, 30.5 P, 237,
24/506, 517, 519; 383/63, 78, 81, 68
CPC B65D 33/1675; B65D 33/2591; B65D
33/2541; B65D 33/1691; B65D 33/1666;
F16L 33/12; D06F 55/00; B21F 45/22
See application file for complete search history.

D406,509 S * 3/1999 Rivera D8/55
D410,828 S * 6/1999 Rivera D8/55
D439,831 S * 4/2001 Henriksson D8/394

(Continued)

FOREIGN PATENT DOCUMENTS

EP 1356796 A1 10/2003
Primary Examiner — John Windmuller
Assistant Examiner — Steven Czyz
(74) *Attorney, Agent, or Firm* — Ash Tankha; Lipton,
Weinberger & Husick

(57) **CLAIM**
The ornamental design for a sealing apparatus, as shown and described.

DESCRIPTION

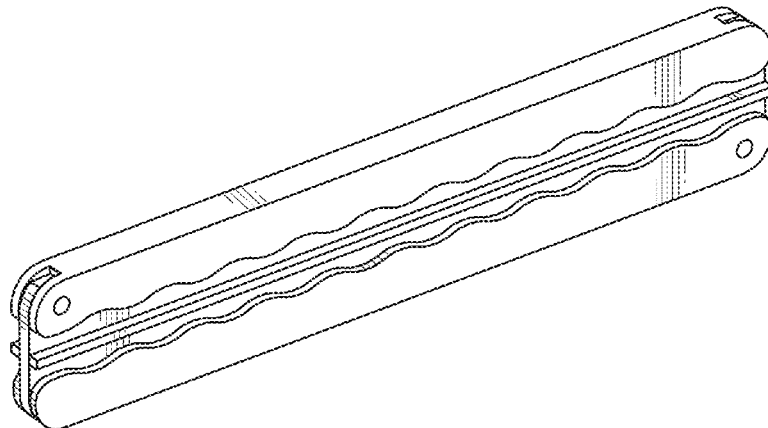
FIG. 1 is a front isometric view of an ornamental design for a sealing apparatus in closed condition;
FIG. 2 is a front elevation view thereof;
FIG. 3 is a sectional view thereof, taken along a section A-A in FIG. 2;
FIG. 4 is a rear elevation view thereof;
FIG. 5 is a top plan view thereof;
FIG. 6 is a bottom view thereof;
FIG. 7 is a right side view thereof;
FIG. 8 is a left side view thereof;
FIG. 9 is a front isometric view of the sealing apparatus in an open condition;
FIG. 10 is a front elevation view of the sealing apparatus in the open condition; and,
FIG. 11 is a front isometric view of the sealing apparatus, showing bags sealed between adjoining elongate clip members of the sealing apparatus.
The broken line showing of the bags in FIG. 11 is for the purpose of illustrating environment and forms no part of the claimed design.

(56) **References Cited**

U.S. PATENT DOCUMENTS

| | | | | | | |
|-----------|---|---|---------|----------------|-------|-----------|
| D260,083 | S | * | 8/1981 | Strickland | | D9/443 |
| 4,296,529 | A | * | 10/1981 | Brown | | 24/30.5 P |
| D264,689 | S | * | 6/1982 | Miller | | D9/434 |
| D299,008 | S | * | 12/1988 | Näslund | | D9/443 |
| D301,548 | S | * | 6/1989 | Weaver | | D9/434 |
| D308,017 | S | * | 5/1990 | Fujioka | | D8/396 |
| D309,835 | S | * | 8/1990 | Stone et al. | | D6/328 |
| D312,403 | S | * | 11/1990 | Furutsu | | D9/434 |
| D317,571 | S | * | 6/1991 | Henriksson | | D9/443 |
| D329,373 | S | * | 9/1992 | Kaga | | D8/394 |
| D329,374 | S | * | 9/1992 | Kaga | | D8/394 |
| D342,669 | S | * | 12/1993 | Solomon | | D8/396 |
| D368,589 | S | * | 4/1996 | Guio | | D32/61 |
| D372,674 | S | * | 8/1996 | Weber et al. | | D9/443 |
| D375,045 | S | * | 10/1996 | Weber et al. | | D9/443 |
| D384,459 | S | * | 9/1997 | Eisenman | | D32/61 |
| 5,713,108 | A | * | 2/1998 | Solomon et al. | | 24/30.5 R |
| D391,851 | S | * | 3/1998 | Joergensen | | D9/434 |

1 Claim, 8 Drawing Sheets



(56)

References Cited

U.S. PATENT DOCUMENTS

| | | | | | | | |
|--------------|---------|----------------------------|--------|----------------|---------|----------------------------|-----------|
| D443,201 S * | 6/2001 | Bendick | D8/394 | D484,035 S * | 12/2003 | Smith-Kielland et al. | D8/394 |
| D472,457 S * | 4/2003 | Fenton et al. | D8/394 | D486,385 S * | 2/2004 | Smith-Kielland et al. | D8/394 |
| D484,034 S * | 12/2003 | Smith-Kielland et al. | D8/394 | 6,904,646 B2 * | 6/2005 | Reynolds | 24/30.5 R |
| | | | | D563,778 S * | 3/2008 | Weinacker, Jr. | D8/394 |
| | | | | D673,272 S * | 12/2012 | Trivisani | D24/143 |

* cited by examiner

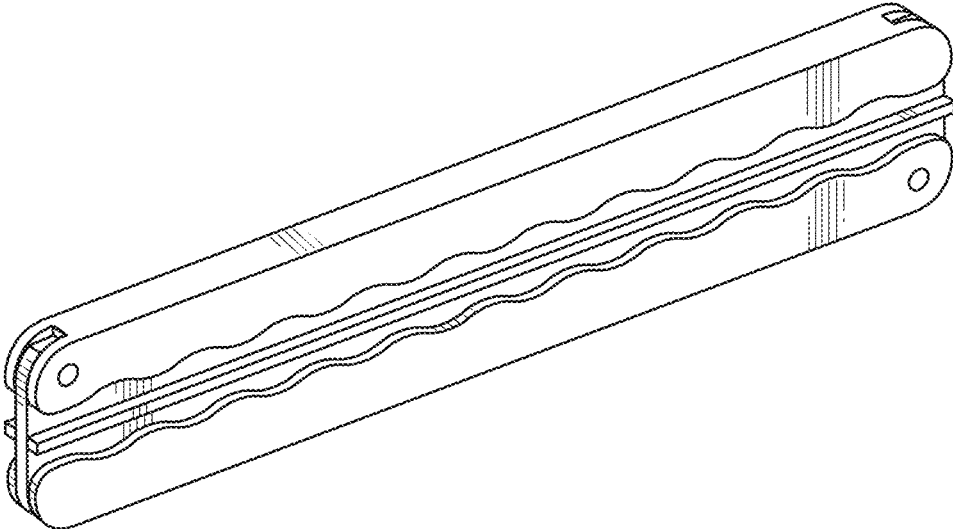


FIG. 1

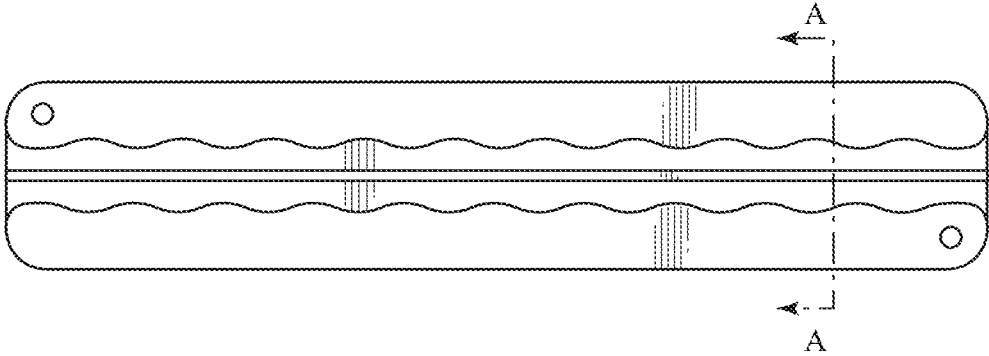


FIG. 2



FIG. 3

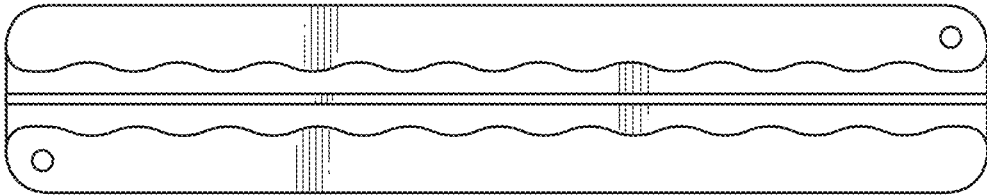


FIG. 4



FIG. 5



FIG. 6



FIG. 7

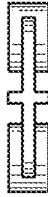


FIG. 8

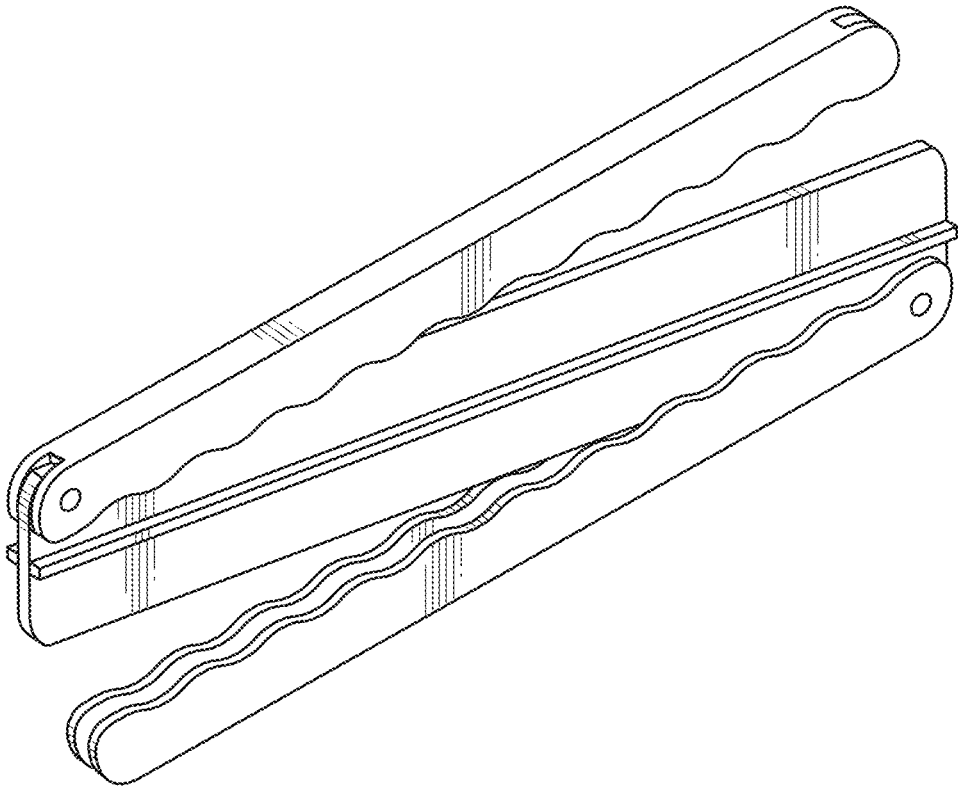


FIG. 9

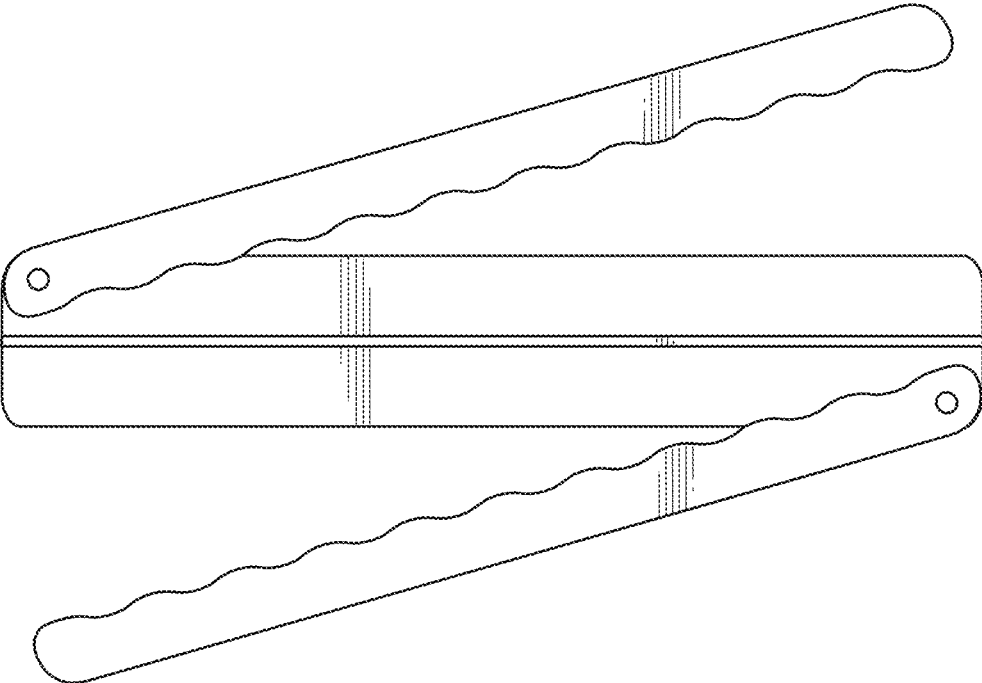


FIG. 10

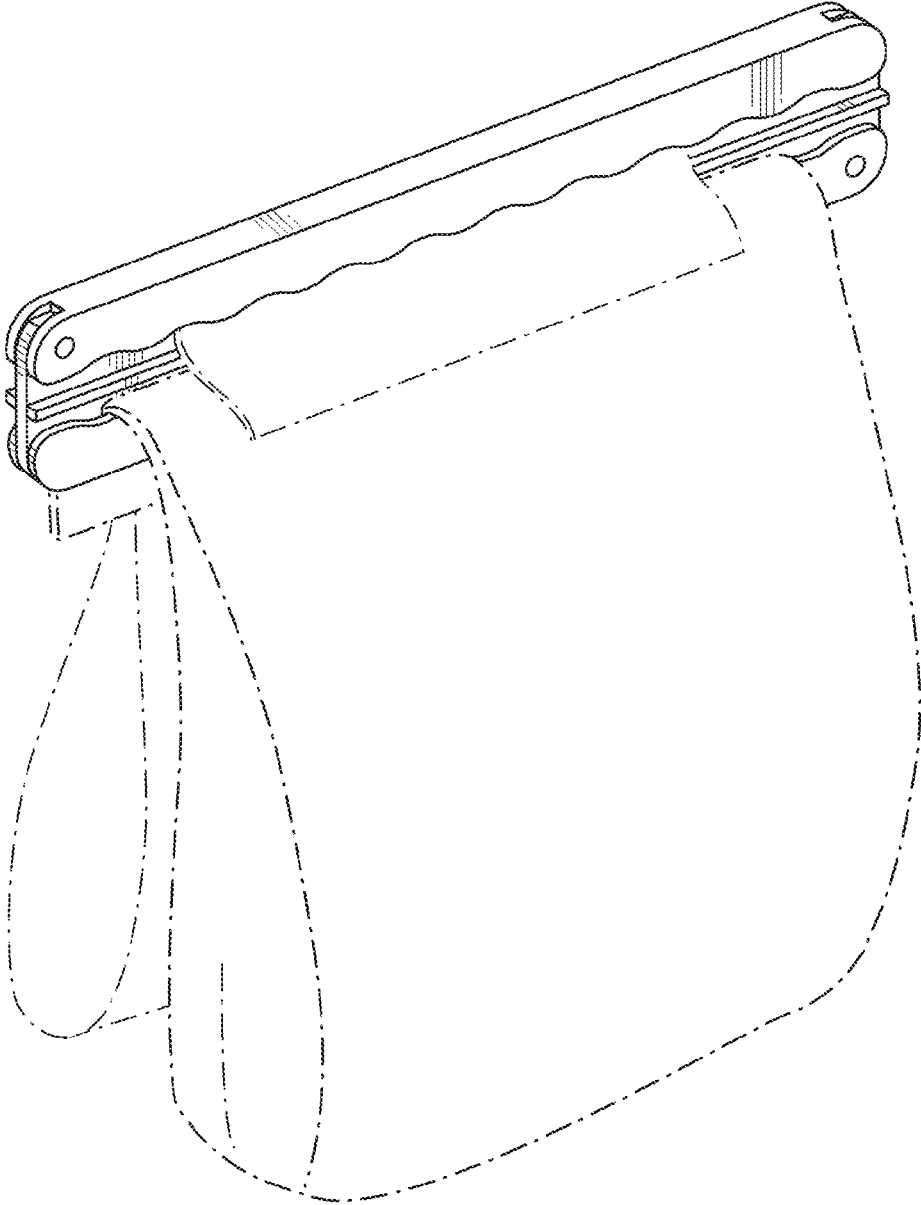


FIG. 11