



US00D719279S

(12) **United States Design Patent**
Hoskinson et al.

(10) **Patent No.:** **US D719,279 S**

(45) **Date of Patent:** **** Dec. 9, 2014**

(54) **TRANSITION STRIP CORNER STRUCTURE WITH A FLANGE**

D404,834 S * 1/1999 Iliadis D25/55
5,924,259 A * 7/1999 Marousek 52/656.1
6,954,975 B2 * 10/2005 Dolinski 29/428
7,690,160 B2 * 4/2010 Moller, Jr. 52/177

(71) Applicants: **Jonathan Lee Hoskinson**, Ronan, MT (US); **Louise Anne Hoskinson**, Ronan, MT (US)

* cited by examiner

(72) Inventors: **Jonathan Lee Hoskinson**, Ronan, MT (US); **Louise Anne Hoskinson**, Ronan, MT (US)

Primary Examiner — Doris Clark

(74) *Attorney, Agent, or Firm* — Ash Tankha; Lipton, Weinberger & Husick

(**) Term: **14 Years**

(57) **CLAIM**

The ornamental design for a transition strip corner structure with a flange, as shown and described.

(21) Appl. No.: **29/445,338**

(22) Filed: **Feb. 11, 2013**

DESCRIPTION

(51) **LOC (10) Cl.** **25-02**

(52) **U.S. Cl.**

USPC **D25/55**

(58) **Field of Classification Search**

USPC D25/55; 52/273, 275, 255, 287.1, 631, 52/716.1

See application file for complete search history.

FIG. 1 is a front perspective view of an ornamental design for a transition strip corner structure with a flange, from the bottom thereof;

FIG. 2 is a rear perspective view from the bottom thereof;

FIG. 3 is a front elevation view thereof;

FIG. 4 is a rear elevation view thereof;

FIG. 5 is a top plan view thereof;

FIG. 6 is a bottom view thereof;

FIG. 7 is a right side elevation view thereof; and,

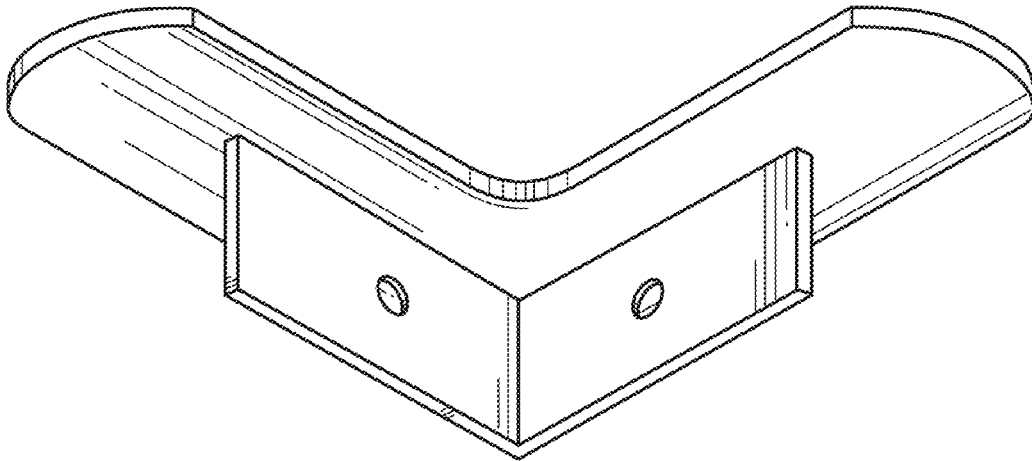
FIG. 8 is a left side elevation view thereof.

(56) **References Cited**

U.S. PATENT DOCUMENTS

2,823,432 A * 2/1958 Dloniak 52/287.1

1 Claim, 6 Drawing Sheets



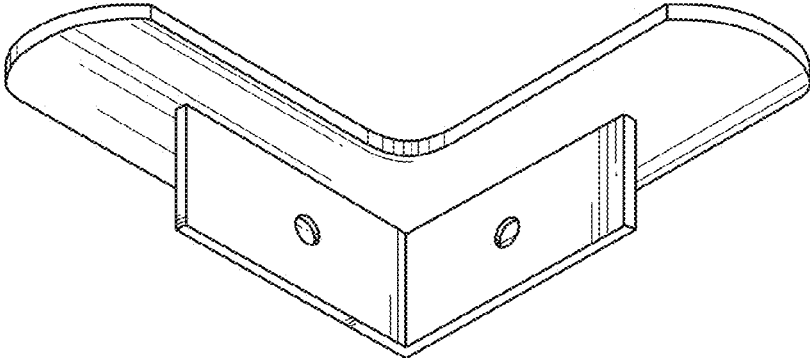


FIG. 1

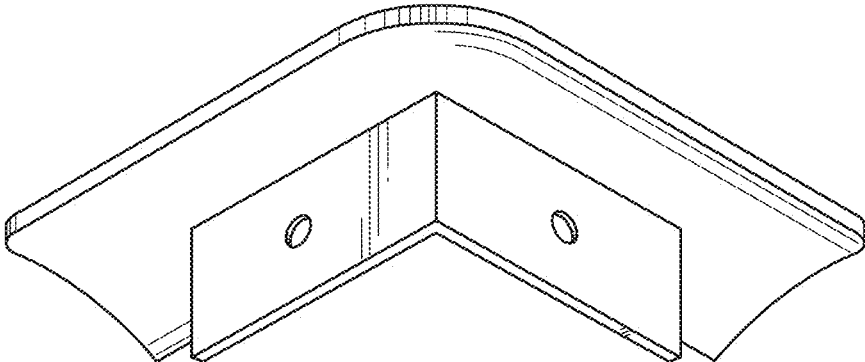


FIG. 2

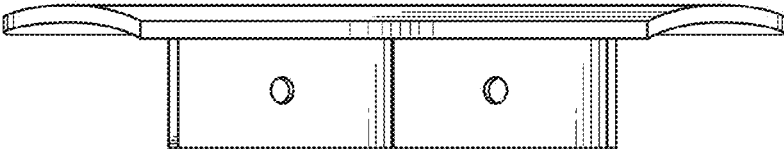


FIG. 3

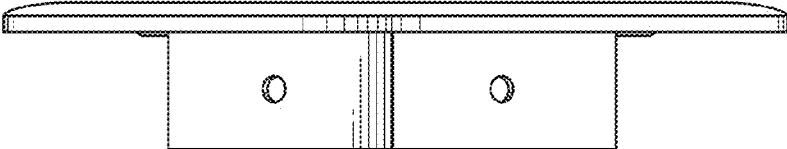


FIG. 4

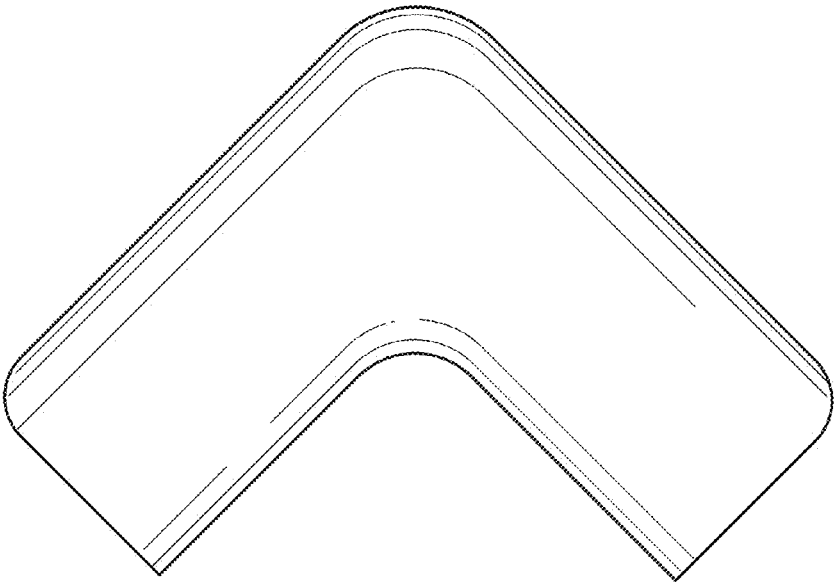


FIG. 5

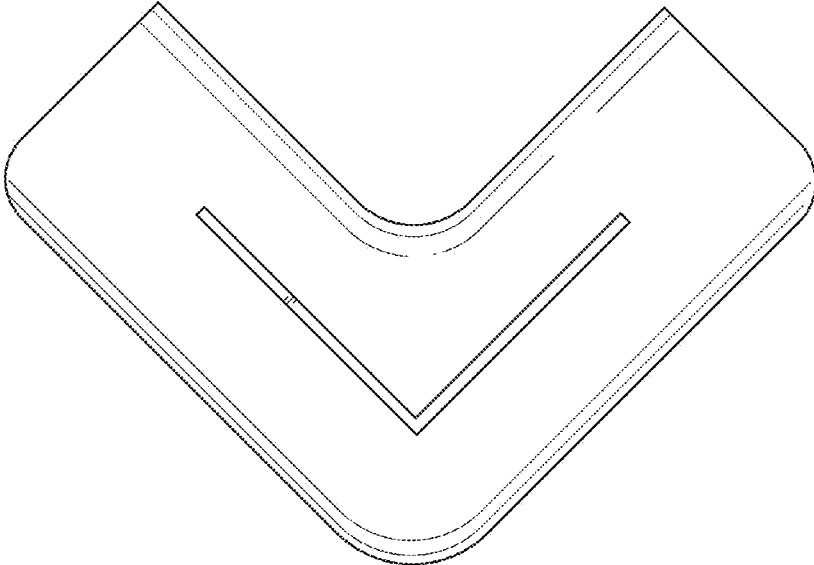


FIG. 6

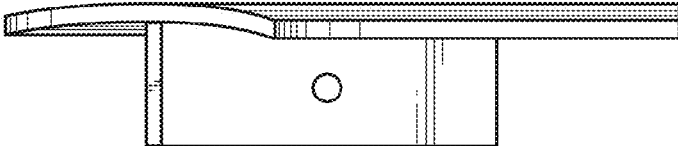


FIG. 7

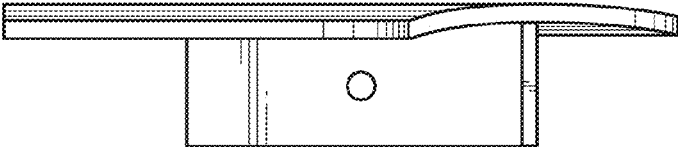


FIG. 8