



US00D715844S

(12) **United States Design Patent**
Cooper

(10) **Patent No.:** **US D715,844 S**

(45) **Date of Patent:** **** Oct. 21, 2014**

- (54) **MAGNIFYING CONTAINER**
- (71) Applicant: **Seneca S. Cooper**, Paulsboro, NJ (US)
- (72) Inventor: **Seneca S. Cooper**, Paulsboro, NJ (US)
- (**) Term: **14 Years**
- (21) Appl. No.: **29/465,302**
- (22) Filed: **Aug. 26, 2013**
- (51) **LOC (10) Cl.** **16-06**
- (52) **U.S. Cl.**
USPC **D16/135**
- (58) **Field of Classification Search**
CPC G02B 25/002
USPC D16/130, 135, 137, 227; D32/53, 53.1;
D21/472, 483; 446/75, 77; 220/762;
206/316.1; 40/363; 359/802, 803, 809,
359/810, 811, 816, 818
See application file for complete search history.

D398,663	S	9/1998	Freeland	
6,023,382	A	2/2000	Hollingsworth et al.	
D421,762	S *	3/2000	Shirley et al.	D16/227
D471,926	S *	3/2003	Allen	D16/135
D472,912	S *	4/2003	Allen	D16/135
D475,380	S *	6/2003	Kalish	D16/135
D494,610	S *	8/2004	Allen	D16/135
D505,688	S	5/2005	Allen	
6,888,673	B2	5/2005	Reynolds	

(Continued)

Primary Examiner — Paula Greene

(57) **CLAIM**
The ornamental design for a magnifying container, as shown and described.

DESCRIPTION

FIG. 1 is a bottom perspective view of an ornamental design for a magnifying container comprising a magnifying lens and a truncated cone shaped member, where the magnifying lens is threadably engaged to a bottom inner periphery of the truncated cone shaped member;

FIG. 2 is a partial exploded view thereof, showing a threaded section at the bottom inner periphery of the truncated cone shaped member configured to threadably engage the magnifying lens;

FIG. 3 is a top perspective view thereof;

FIG. 4 is a front elevation view thereof;

FIG. 5 is a sectional view of the magnifying container taken along a section A-A in FIG. 4;

FIG. 6 is a top plan view thereof, showing a handle member of the magnifying container in a lowered position;

FIG. 7 is a bottom view thereof, showing the handle member of the magnifying container in a lowered position; and,

FIG. 8 is a top plan view thereof, showing the magnifying container being used to magnify aquatic elements such as starfish, shells, etc.

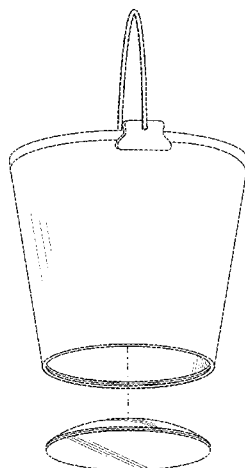
The broken line showing of the starfish, shells, etc., in FIG. 8 is for the purpose of illustrating environment and forms no part of the claimed design.

(56) **References Cited**

U.S. PATENT DOCUMENTS

332,043	A *	12/1885	Brien	220/698
D35,769	S *	2/1902	Wells	D16/135
1,451,096	A	4/1923	Hagen et al.	
2,730,921	A	1/1956	Little et al.	
3,359,677	A	12/1967	Hepler et al.	
3,410,635	A *	11/1968	Lockwood	359/804
D215,622	S *	10/1969	Alaska	D16/135
D221,482	S *	8/1971	Alaska	D16/135
3,619,042	A	11/1971	Lazar	
3,656,840	A *	4/1972	Smith et al.	359/804
D271,988	S	12/1983	Rivollet	
4,630,744	A *	12/1986	Trombly	220/604
D292,836	S *	11/1987	Juergens	D32/53
4,765,472	A	8/1988	Dent	
4,844,595	A	7/1989	Nealy	
4,856,673	A	8/1989	Thompson	
D318,079	S *	7/1991	Laib et al.	D21/472
D321,382	S	11/1991	Laib et al.	
D374,043	S	9/1996	Ryaa et al.	
D390,584	S *	2/1998	Layton	D16/134

1 Claim, 7 Drawing Sheets



US D715,844 S

Page 2

(56)

References Cited

U.S. PATENT DOCUMENTS

D508,932 S *	8/2005	Yeung	D16/135	D567,300 S	4/2008	Kramer	
D509,523 S *	9/2005	Yeung	D16/135	D643,451 S *	8/2011	Supiot	D16/135
				2002/0085290 A1 *	7/2002	Taylor	359/803

* cited by examiner

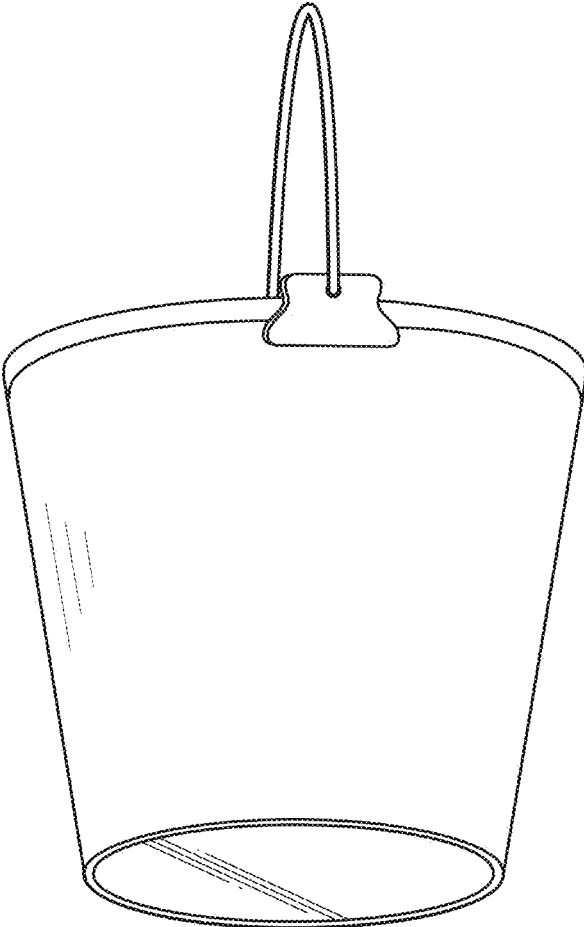


FIG. 1

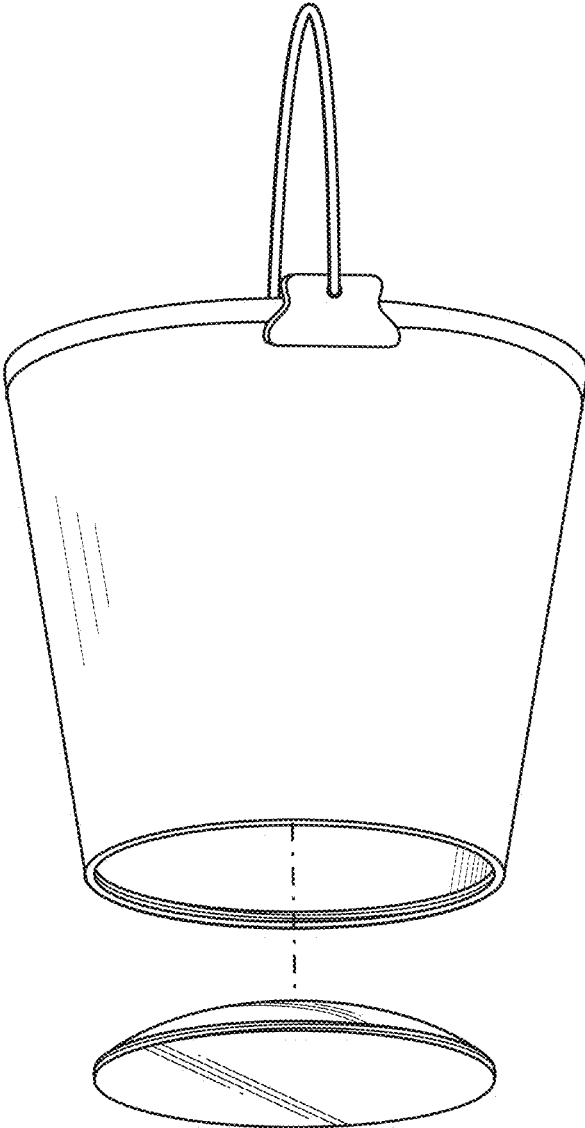


FIG. 2

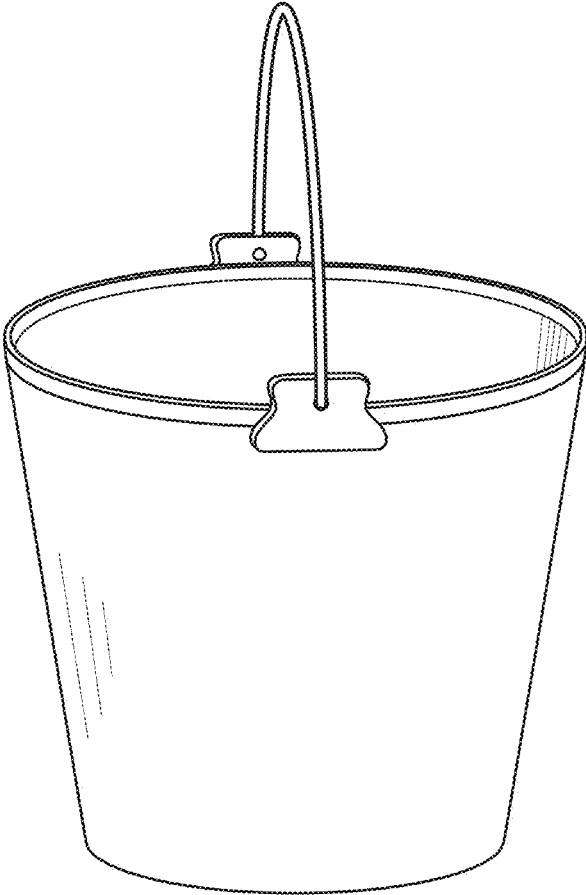


FIG. 3

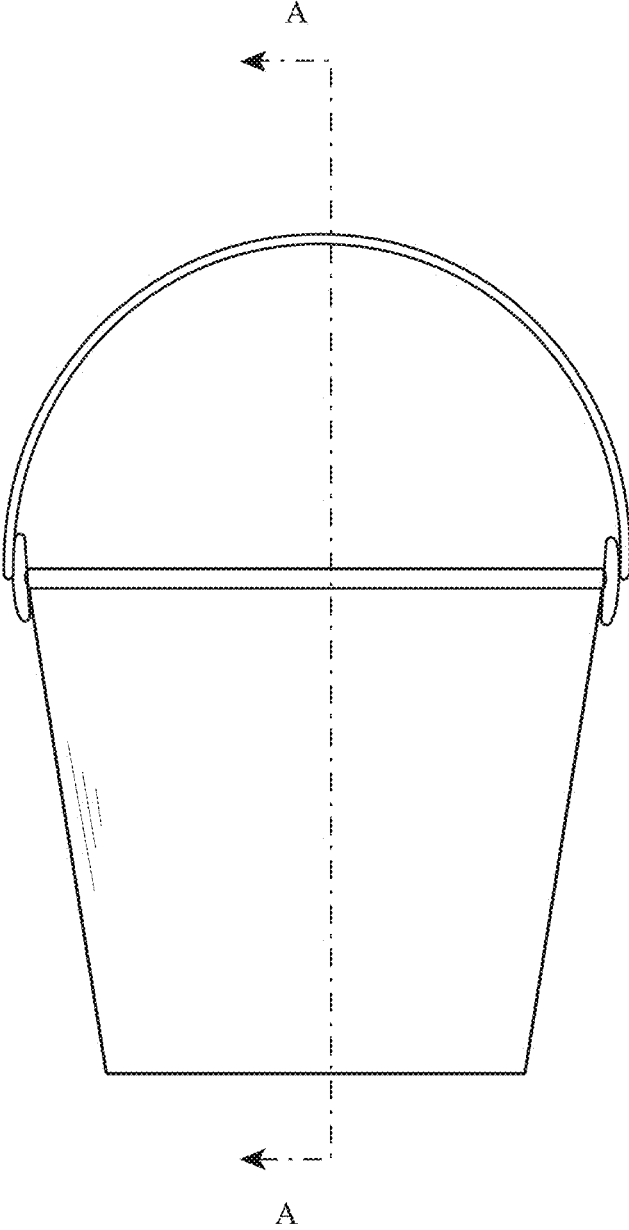


FIG. 4

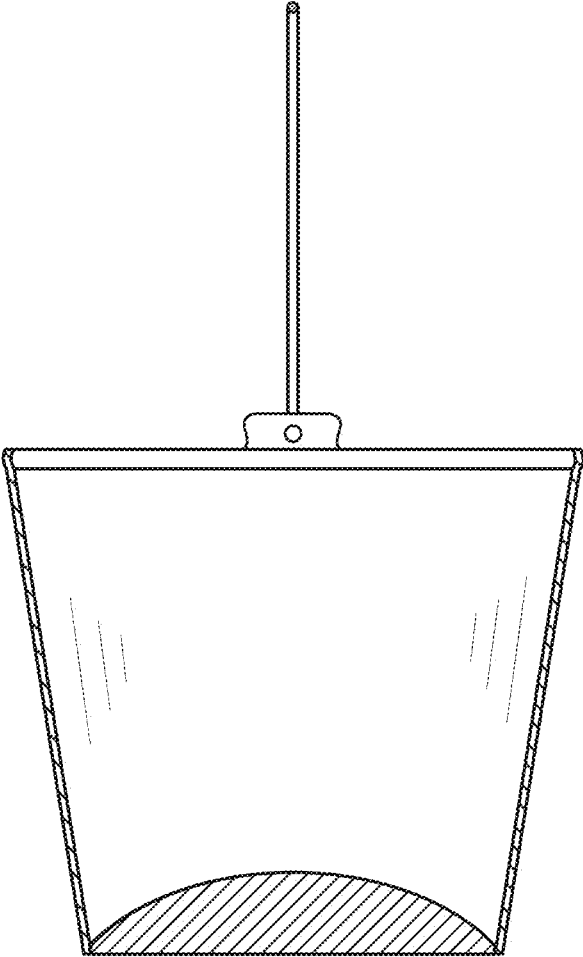


FIG. 5

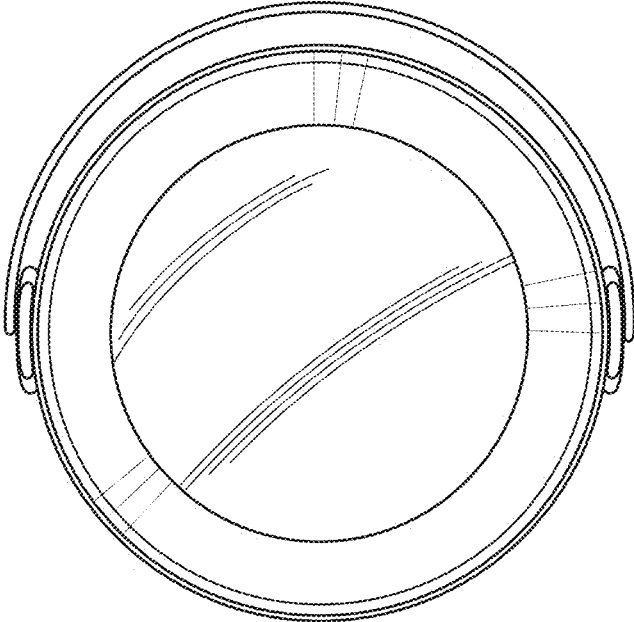


FIG. 6

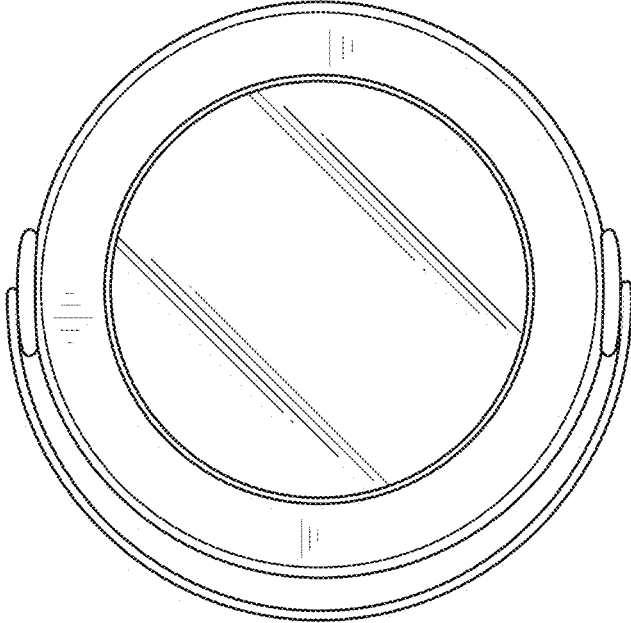


FIG. 7

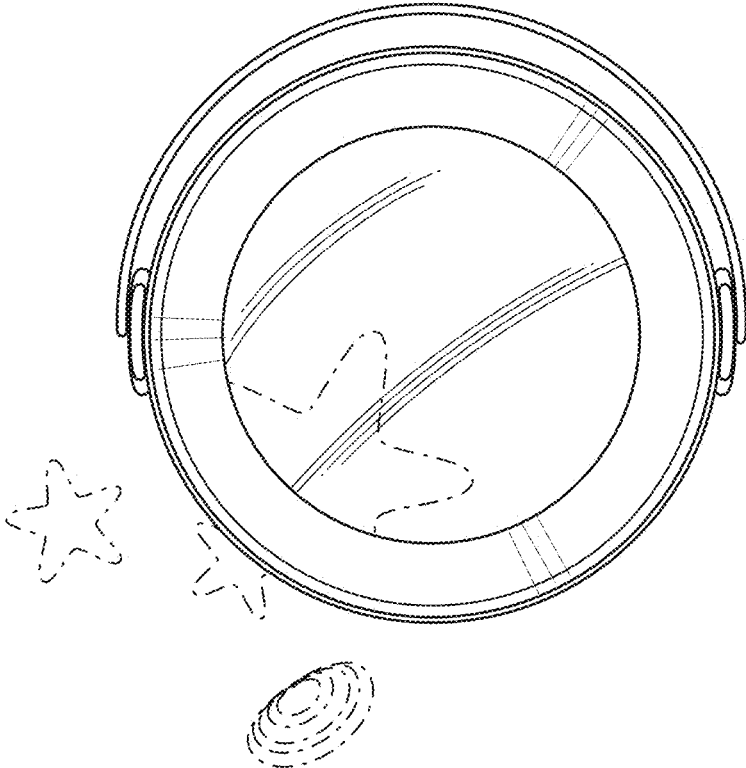


FIG. 8