



US00D666662S

(12) **United States Design Patent**
Runnals

(10) **Patent No.:** **US D666,662 S**

(45) **Date of Patent:** **** Sep. 4, 2012**

(54) **MOUNT FOR CAMERA AND OTHER OPTICAL DEVICES**

Primary Examiner — Adir Aronovich

(74) *Attorney, Agent, or Firm* — Ash Tankha; Lipton, Weinberger & Hosick

(76) **Inventor:** **Mark Lloyd Runnals**, Bradenton, FL (US)

(**) **Term:** **14 Years**

(57) **CLAIM**

The ornamental design for a mount for a camera and other optical devices, as shown and described.

(21) **Appl. No.:** **29/380,337**

(22) **Filed:** **Dec. 2, 2010**

DESCRIPTION

(51) **LOC (9) Cl.** **16-05**

(52) **U.S. Cl.** **D16/242**

(58) **Field of Classification Search** D16/242,
D16/244, 245; 248/177.1, 183.1, 187.1;
352/243; 396/419, 428

See application file for complete search history.

FIG. 1 is a top perspective view of a mount for a camera and other optical devices showing my new design;
FIG. 2 is a top perspective exploded view thereof;
FIG. 3 is a right side elevational exploded view thereof;
FIG. 4 is a top plan exploded view thereof;
FIG. 5 is a bottom perspective exploded view thereof;
FIG. 6 is a top perspective exploded view of the mount for a camera and other optical devices in a partially slidable position;
FIG. 7 is a right side elevational exploded view thereof;
FIG. 8 is a top plan exploded view thereof; and,
FIG. 9 is a reduced right side elevational view.

(56) **References Cited**

U.S. PATENT DOCUMENTS

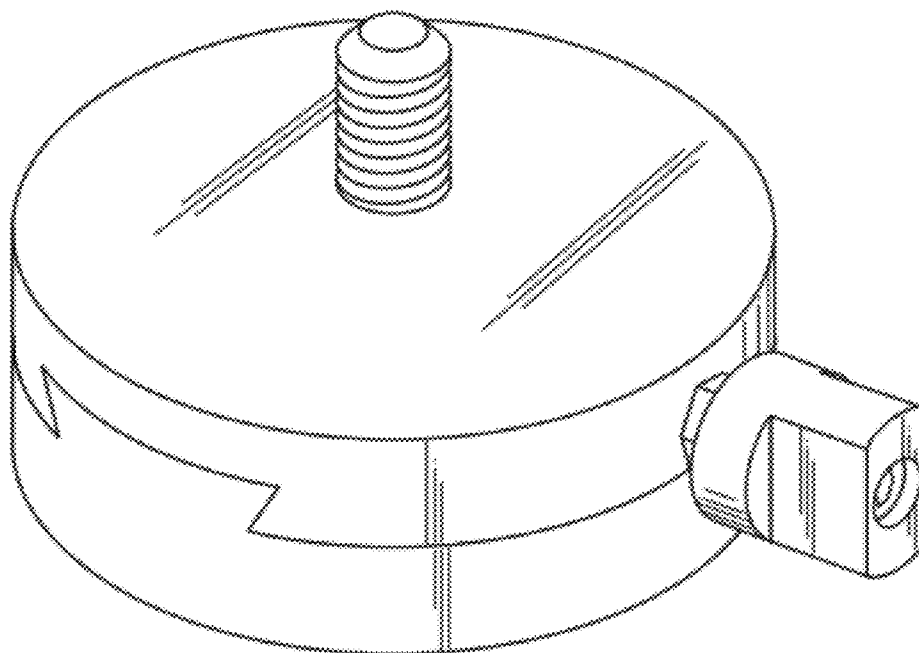
2,506,878	A *	5/1950	Kraus	248/187.1
4,570,887	A	2/1986	Banister		
D310,677	S *	9/1990	Stidham et al.	D16/242
4,979,709	A	12/1990	Ishikawa		
5,429,332	A	7/1995	Ishikawa		
5,737,657	A	4/1998	Paddock et al.		
6,116,554	A *	9/2000	Wei	248/183.1
6,196,504	B1	3/2001	Lemke		
6,234,690	B1 *	5/2001	Lemieux	396/419
7,658,556	B2 *	2/2010	Johnson	396/428
D621,865	S *	8/2010	Chidester	D16/245
7,811,024	B2	10/2010	Vendetti		
2002/0109053	A1 *	8/2002	Lemieux et al.	248/187.1

* cited by examiner

The claim is directed to the assembled mount for a camera and other optical devices disclosed in FIGS. 1 and 9. The separate components are shown to illustrate aspects, which are not apparent from the assembled view.

The broken line portions in FIGS. 8 and 9 are shown to illustrate environment only and form no part of the claimed design.

1 Claim, 7 Drawing Sheets



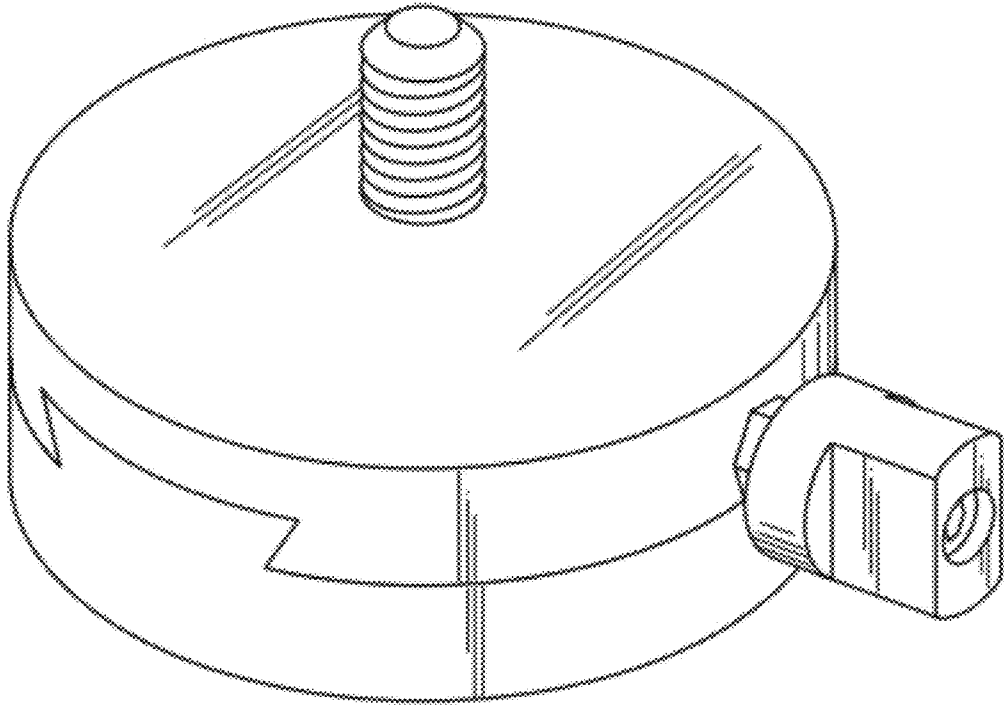


FIG. 1

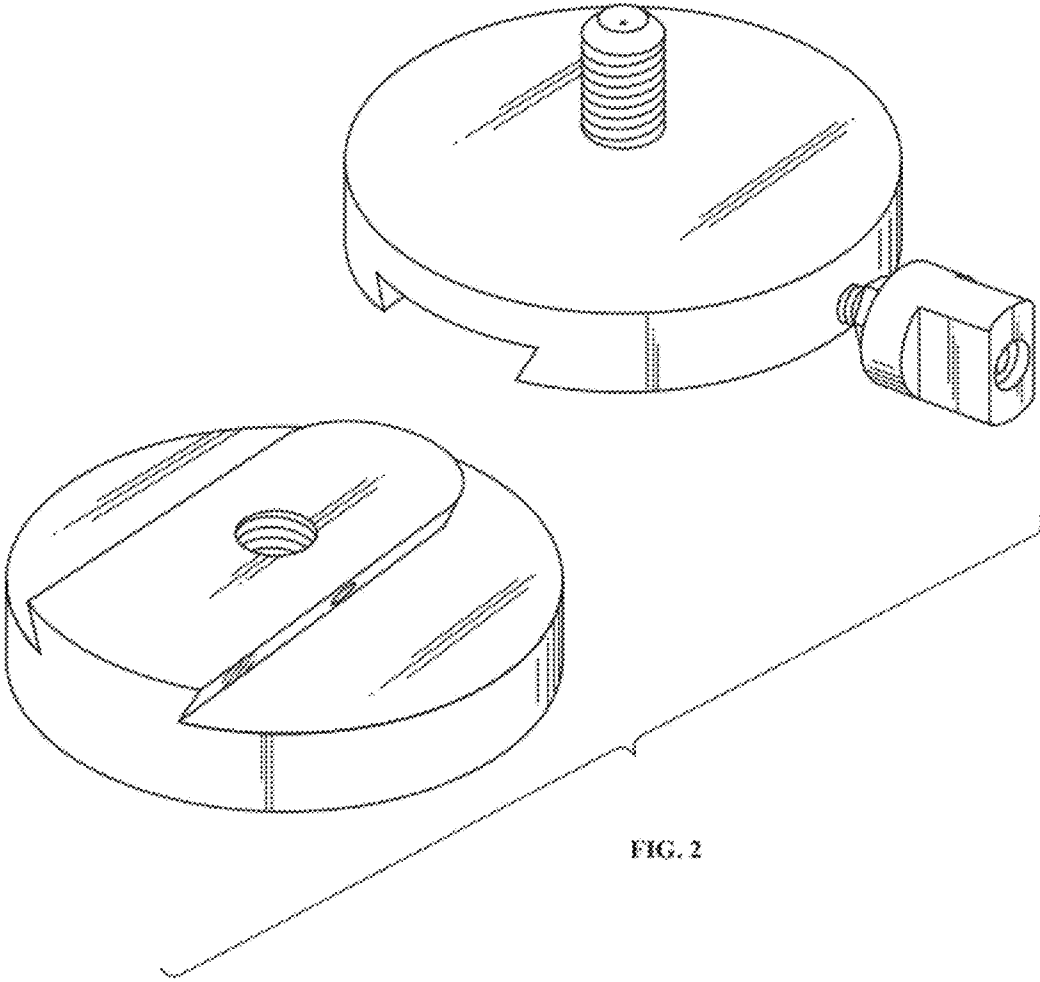


FIG. 2

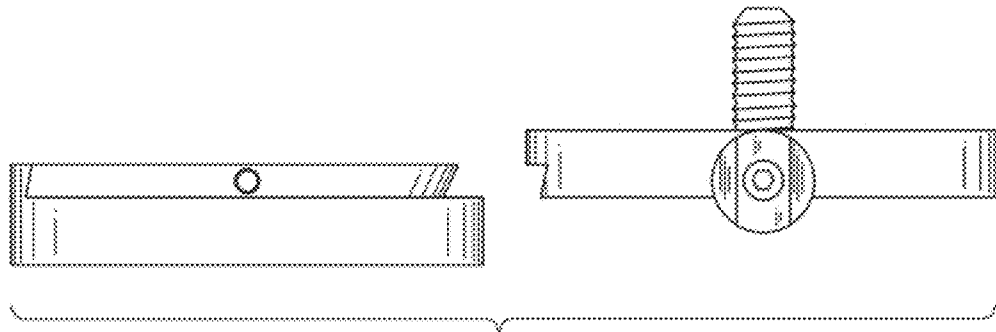


FIG. 3

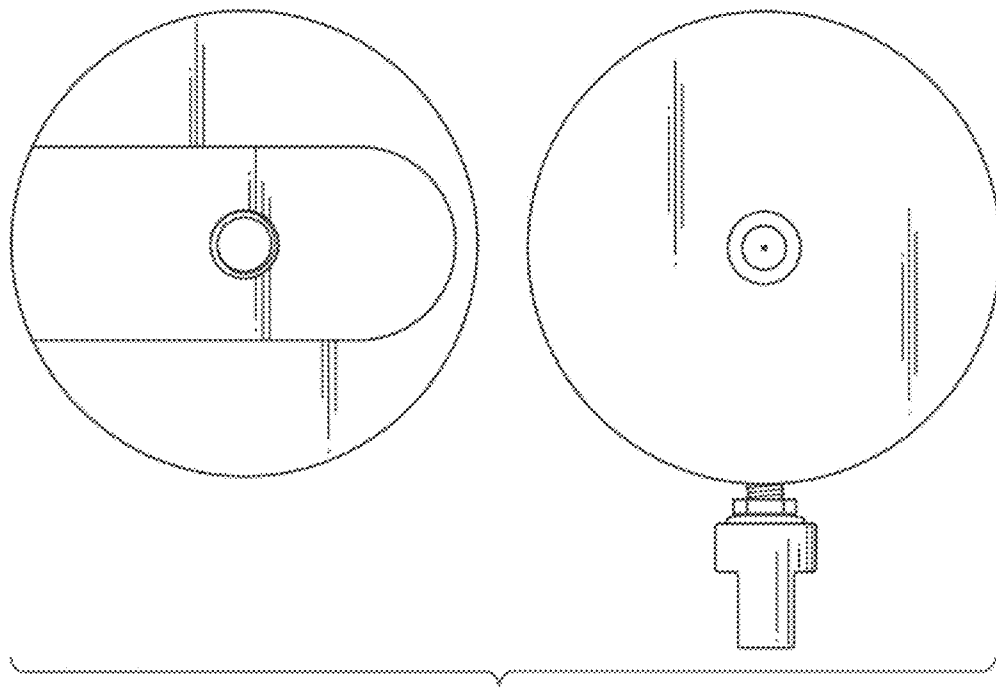


FIG. 4

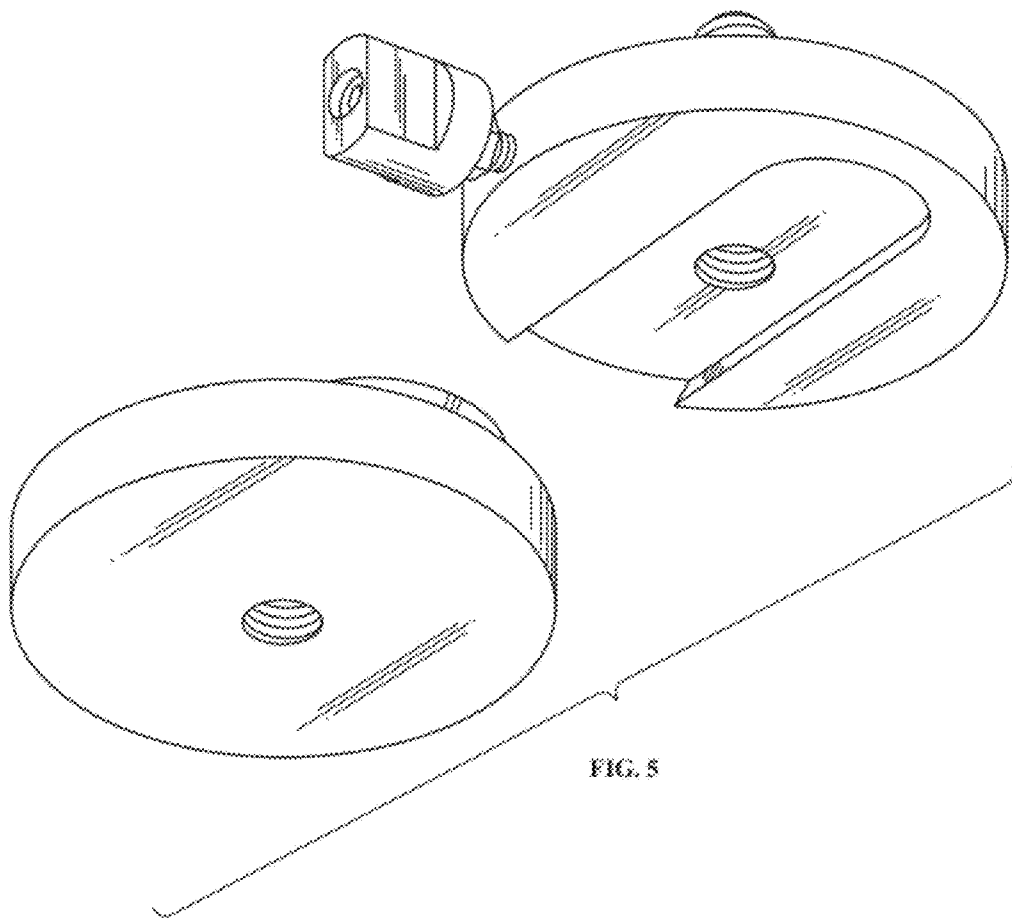


FIG. 5

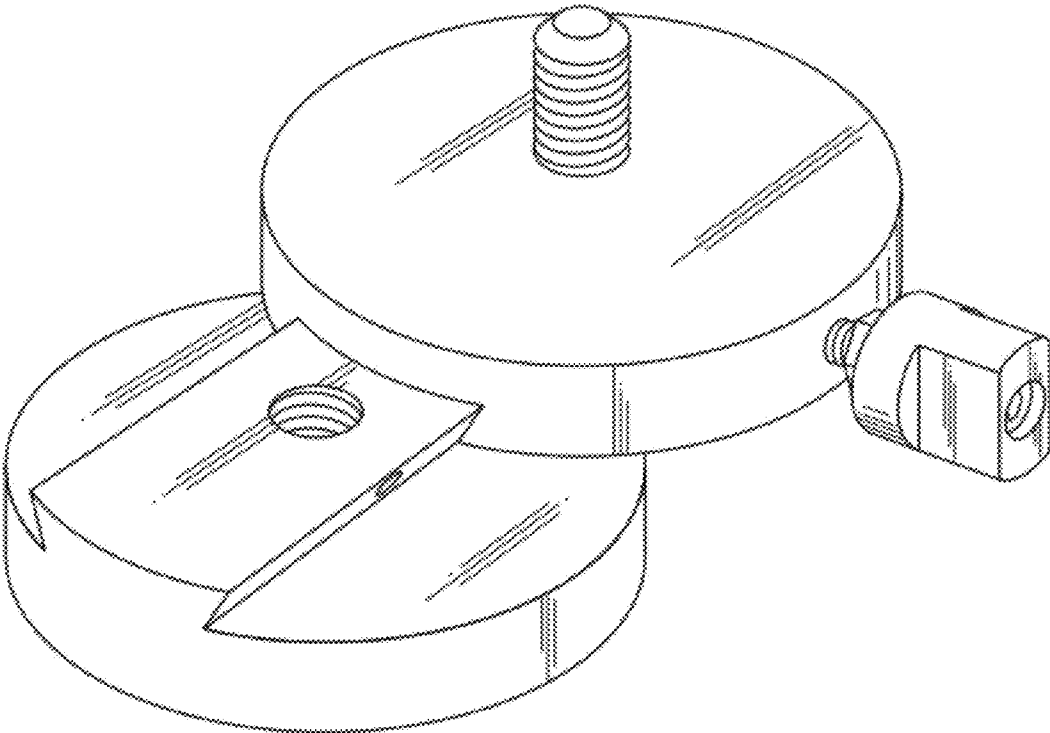


FIG. 6

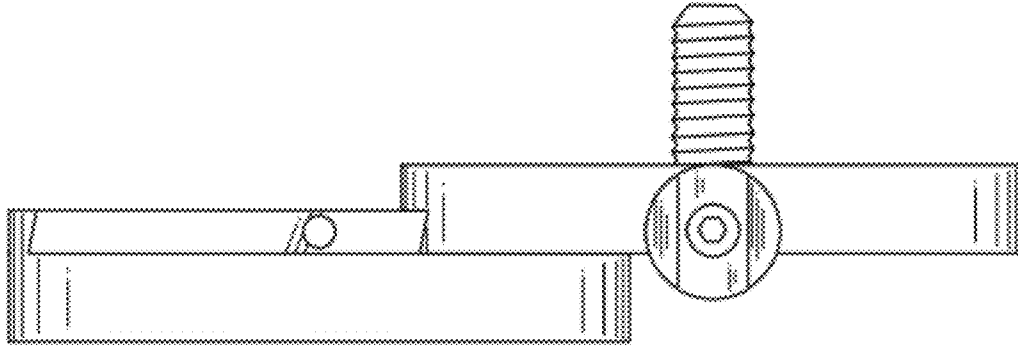


FIG. 7

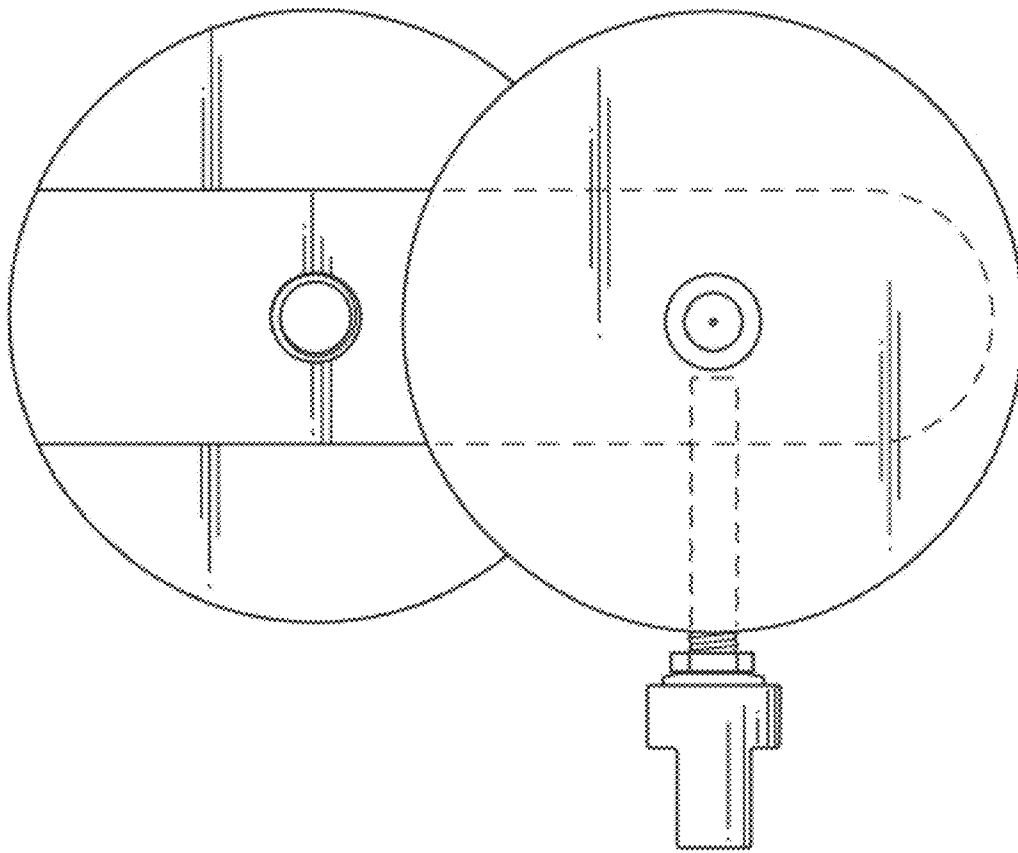


FIG. 8

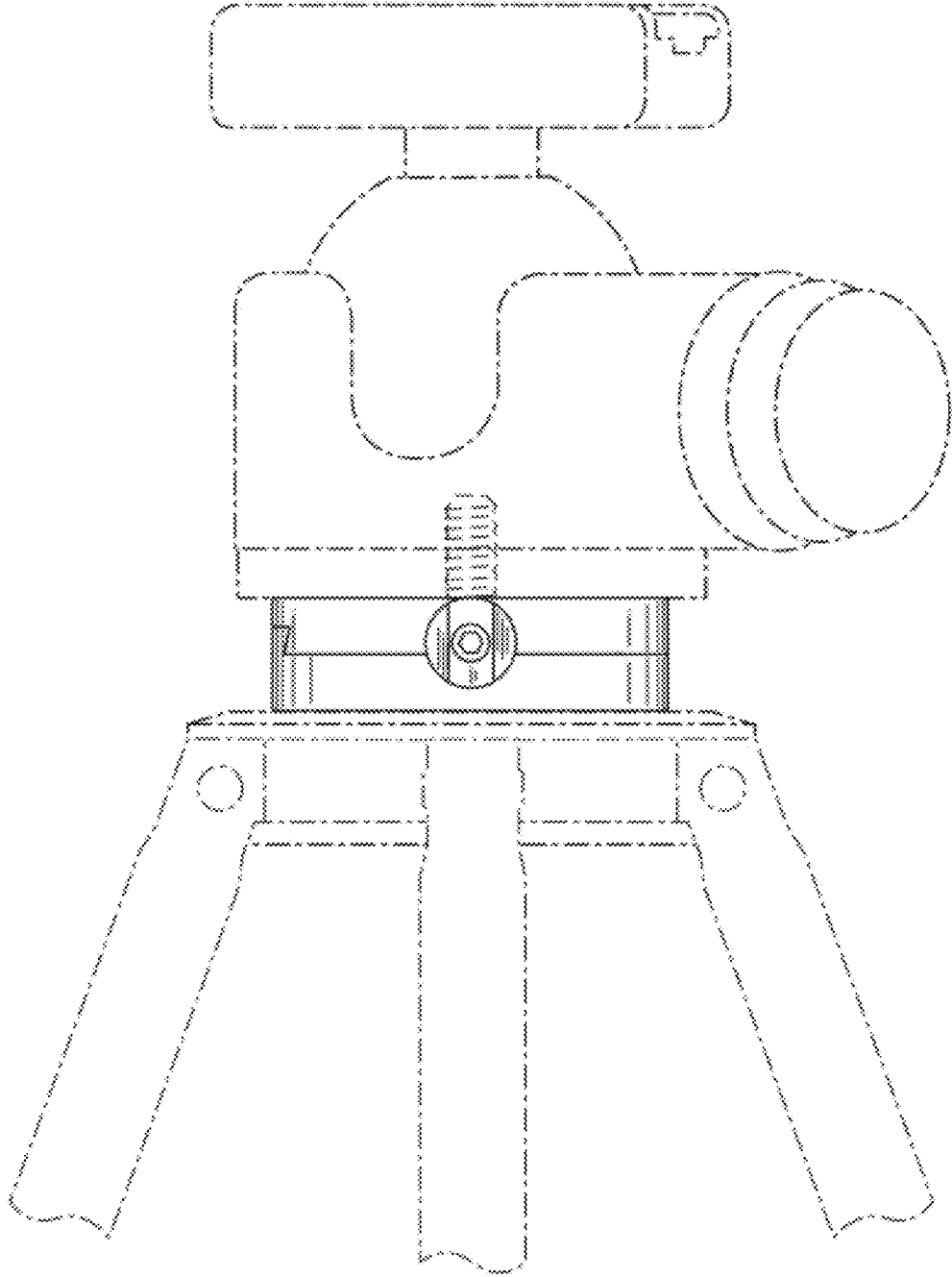


FIG. 9