



US00D629157S

(12) **United States Design Patent**
Ko

(10) **Patent No.:** **US D629,157 S**

(45) **Date of Patent:** **** Dec. 14, 2010**

(54) **HEATING ELEMENT WITH TWIN STRIPS**

(76) Inventor: **Dae-Yeol Ko**, Sangrok-Ku,
Bukok-Dong, 691-9 #201, Ansan City,
Kyunggi-Do (KR) 426-821

(**) Term: **14 Years**

(21) Appl. No.: **29/343,658**

(22) Filed: **Sep. 17, 2009**

(30) **Foreign Application Priority Data**

Jul. 17, 2009 (KR) 30-2009-0031621

(51) **LOC (9) Cl.** **28-03**

(52) **U.S. Cl.** **D28/38**

(58) **Field of Classification Search** D28/35,
D28/38; 132/223-226; 219/222, 225-227,
219/242; D25/119-125; D32/71
See application file for complete search history.

(56) **References Cited**

U.S. PATENT DOCUMENTS

D463,581 S *	9/2002	Mann	D25/119
D482,802 S *	11/2003	Yates, Jr.	D25/121
D485,011 S *	1/2004	Nam	D28/35
D511,023 S *	10/2005	Cho	D28/35
D575,453 S *	8/2008	Overend	D28/35

D581,592 S *	11/2008	Hein	D28/35
D606,670 S *	12/2009	Keeley	D25/121
2006/0196523 A1 *	9/2006	Choi	132/224
2007/0209673 A1 *	9/2007	Choi	132/224
2008/0173630 A1 *	7/2008	Ceva	219/222
2009/0044823 A1 *	2/2009	Overend et al.	132/223
2009/0260650 A1 *	10/2009	Jung	132/224

* cited by examiner

Primary Examiner—Jennifer Rivard
(74) *Attorney, Agent, or Firm*—Ash Tankha

(57) **CLAIM**

I claim the ornamental design for a heating element with twin strips, as shown and described.

DESCRIPTION

FIG. 1 is a perspective view of a new design of a heating element with twin strips.

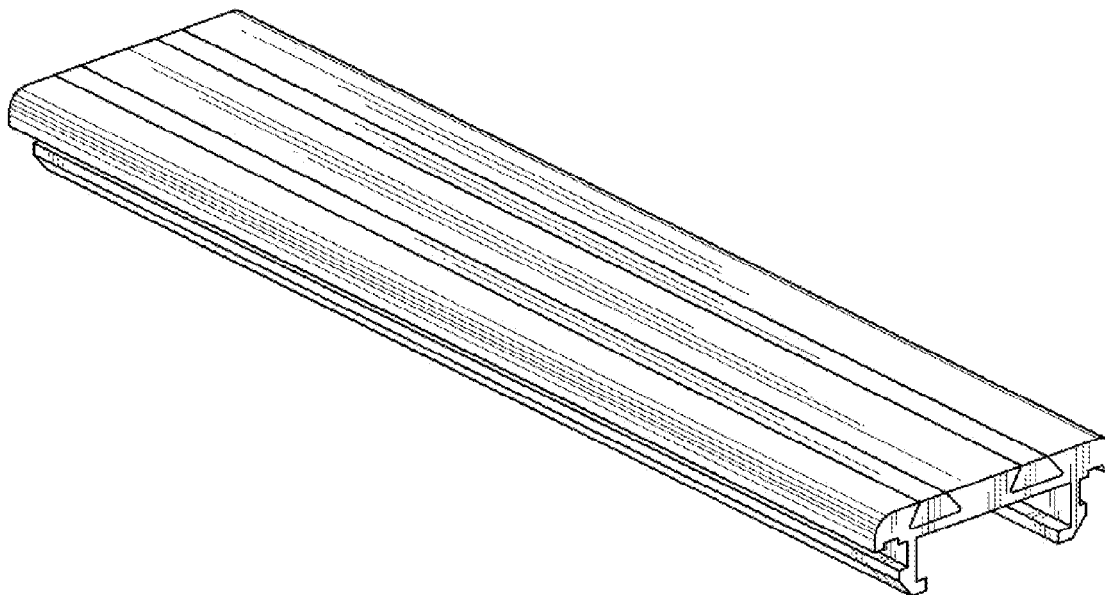
FIG. 2 is a right side view, the left side view being a mirror image thereof.

FIG. 3 is a top plan view.

FIG. 4 is a front view, the rear view being a mirror image thereof; and,

FIG. 5 is a bottom plan view.

1 Claim, 5 Drawing Sheets



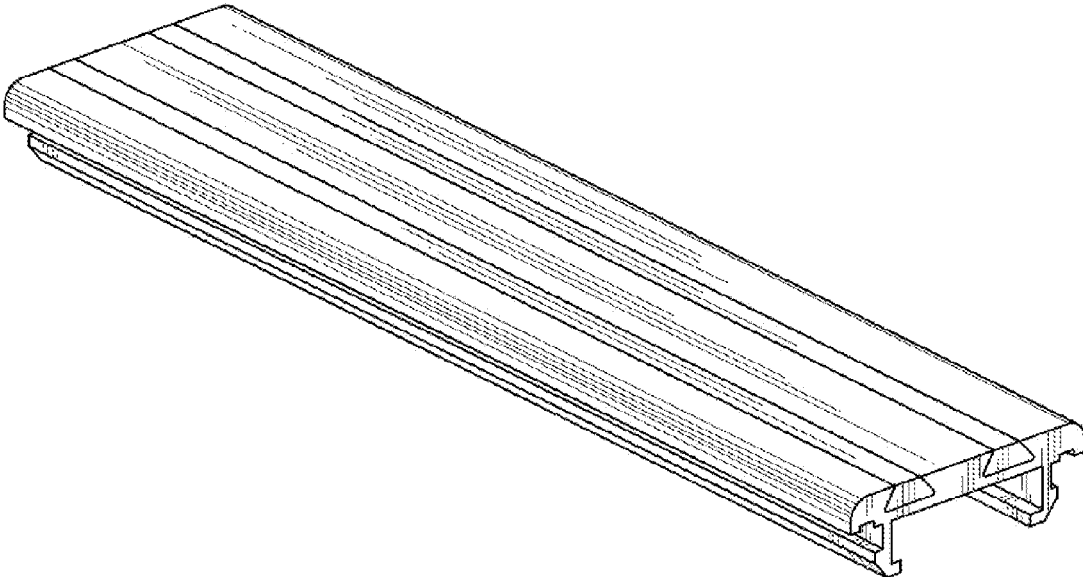


FIG. 1

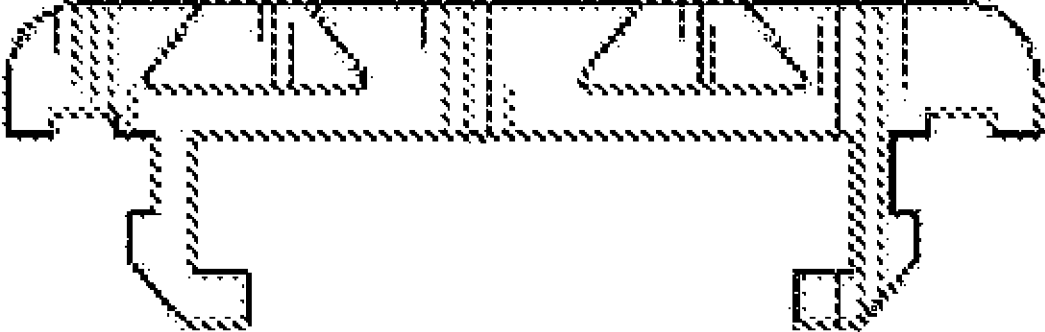


FIG. 2

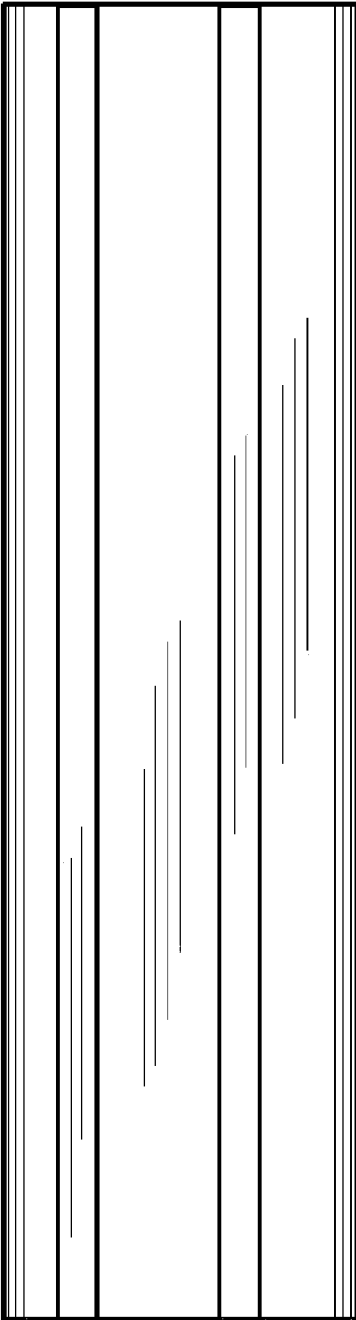


FIG. 3

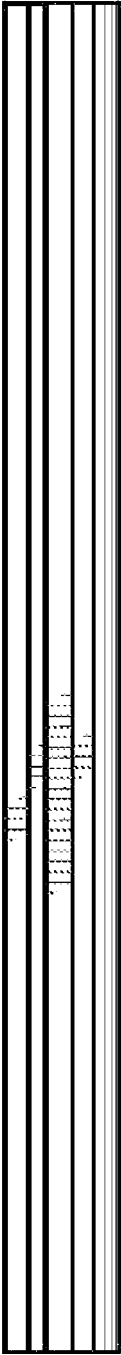


FIG. 4

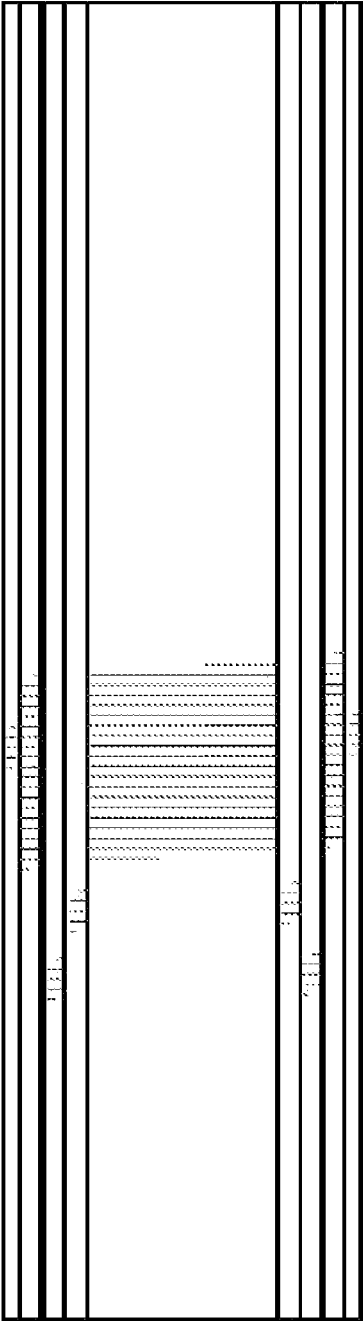


FIG. 5