



US00D625441S

(12) **United States Design Patent**  
**Lusi**

(10) **Patent No.:** **US D625,441 S**

(45) **Date of Patent:** **\*\* Oct. 12, 2010**

(54) **WINDOW CANDLE HOLDER**

(76) Inventor: **Carmella Mary Lusi**, 600 Buckingham Dr., Sewell, NJ (US) 08080

(\*\*) Term: **14 Years**

(21) Appl. No.: **29/364,702**

(22) Filed: **Jun. 28, 2010**

D403,440 S \* 12/1998 Holmes et al. .... D26/9  
7,278,765 B2 \* 10/2007 Cooper et al. .... 362/392  
7,651,063 B2 \* 1/2010 Jensen ..... 248/206.2  
2007/0211481 A1\* 9/2007 Cooper et al. .... 362/392

\* cited by examiner

*Primary Examiner*—T. Chase Nelson

*Assistant Examiner*—Ania K Dworzecka

(74) *Attorney, Agent, or Firm*—Ash Tankha; IP Legal Services

**Related U.S. Application Data**

(62) Division of application No. 29/351,116, filed on Nov. 30, 2009, now Pat. No. Des. 621,977.

(51) **LOC (9) Cl.** ..... **26-01**

(52) **U.S. Cl.** ..... **D26/9; D26/23**

(58) **Field of Classification Search** ..... D26/9–23,  
D26/114–137; D8/349, 354, 355, 356, 363,  
D8/364, 365, 373, 380, 382, 394, 395, 396;  
428/7–9, 11; 431/291, 311, 320, 298; 362/161–163,  
362/351, 392

See application file for complete search history.

(56) **References Cited**

**U.S. PATENT DOCUMENTS**

3,540,687 A \* 11/1970 Cuva ..... 248/223.41  
5,199,781 A \* 4/1993 Sweeny ..... 362/145  
5,249,108 A \* 9/1993 Gary ..... 362/388  
D393,098 S \* 3/1998 Adams ..... D26/138

(57) **CLAIM**

The ornamental design for a window candle holder, as shown and described.

**DESCRIPTION**

FIG. 1 is a perspective view of a window candle holder showing my new design;

FIG. 2 is a top plan view;

FIG. 3 is a rear elevation view;

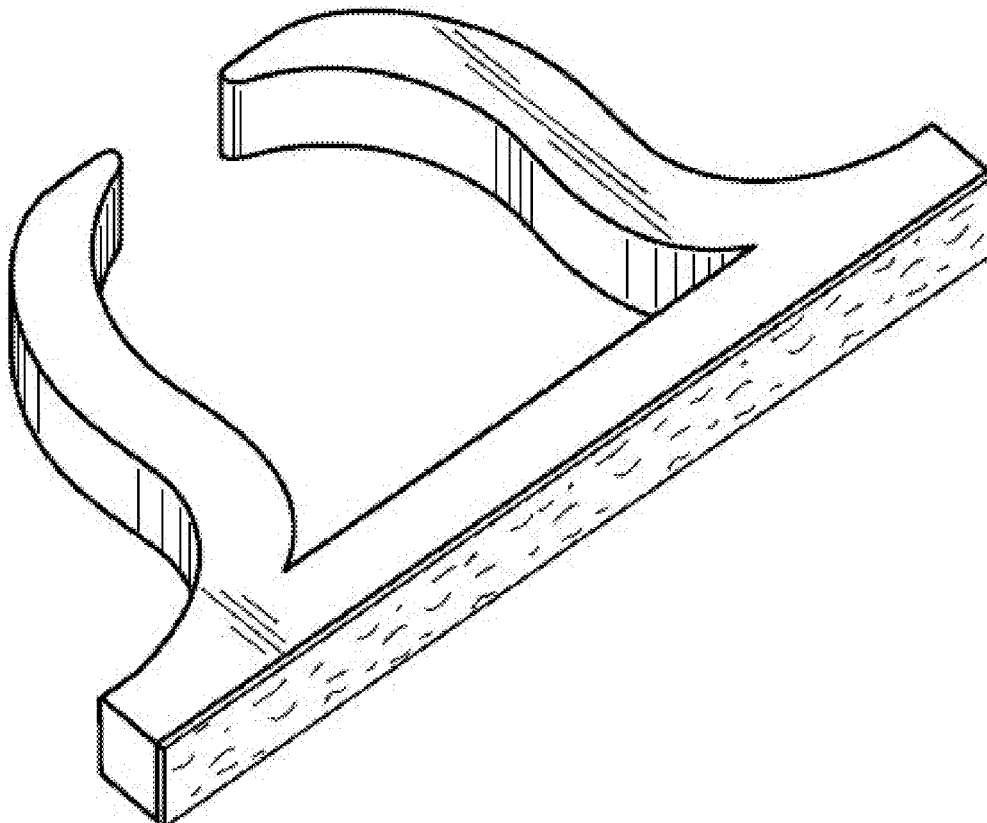
FIG. 4 is a front elevation view;

FIG. 5 is a side elevation view; and,

FIG. 6 is a perspective view of a window candle holder shown in use.

The broken lines depict environmental structure that forms no part of the claimed design.

**1 Claim, 5 Drawing Sheets**



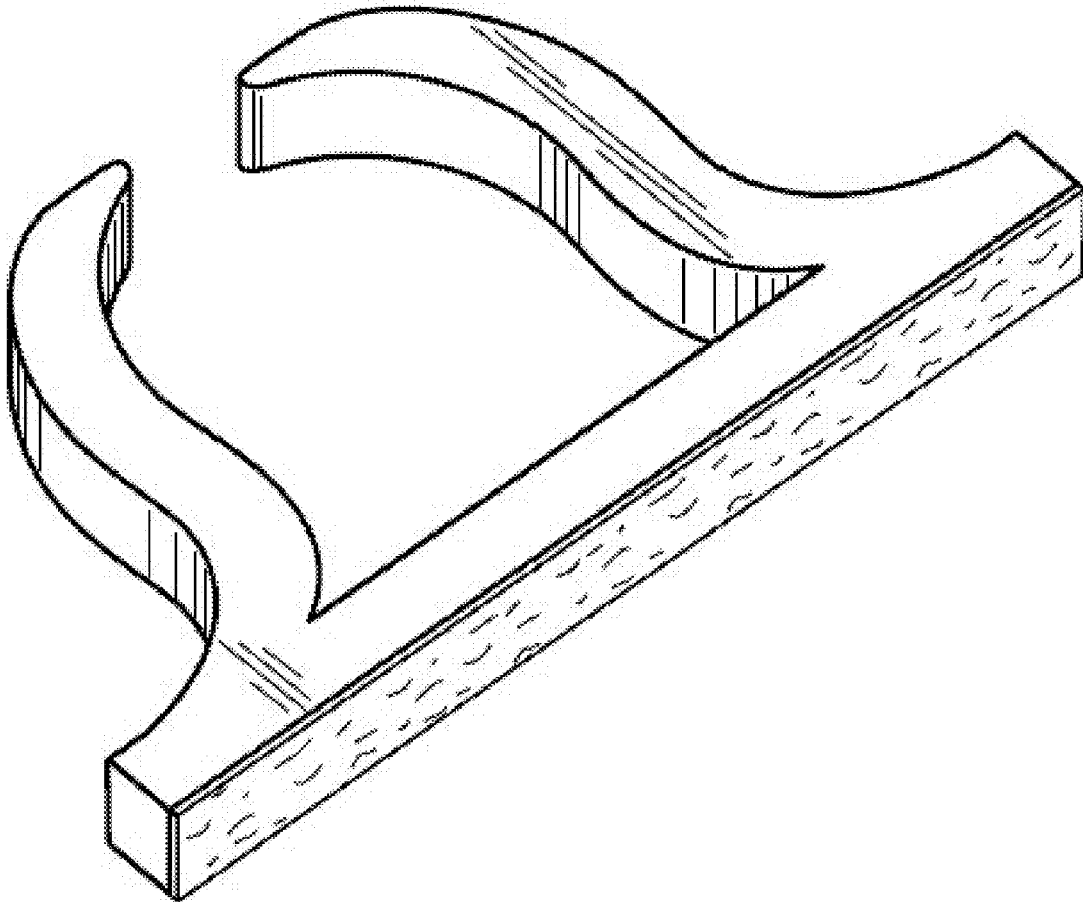


FIG. 1

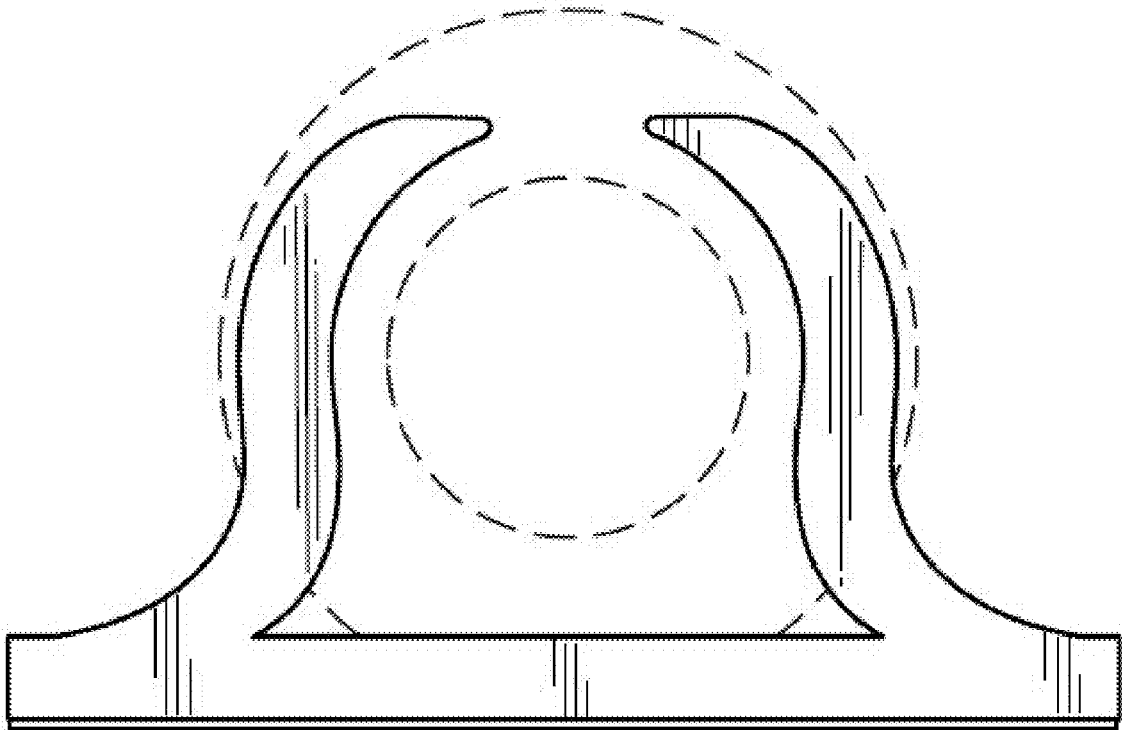


FIG. 2



FIG. 3



FIG. 4

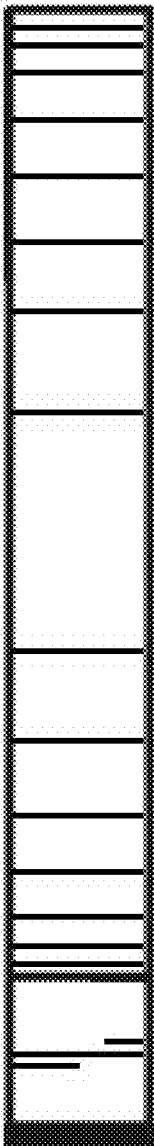


FIG. 5

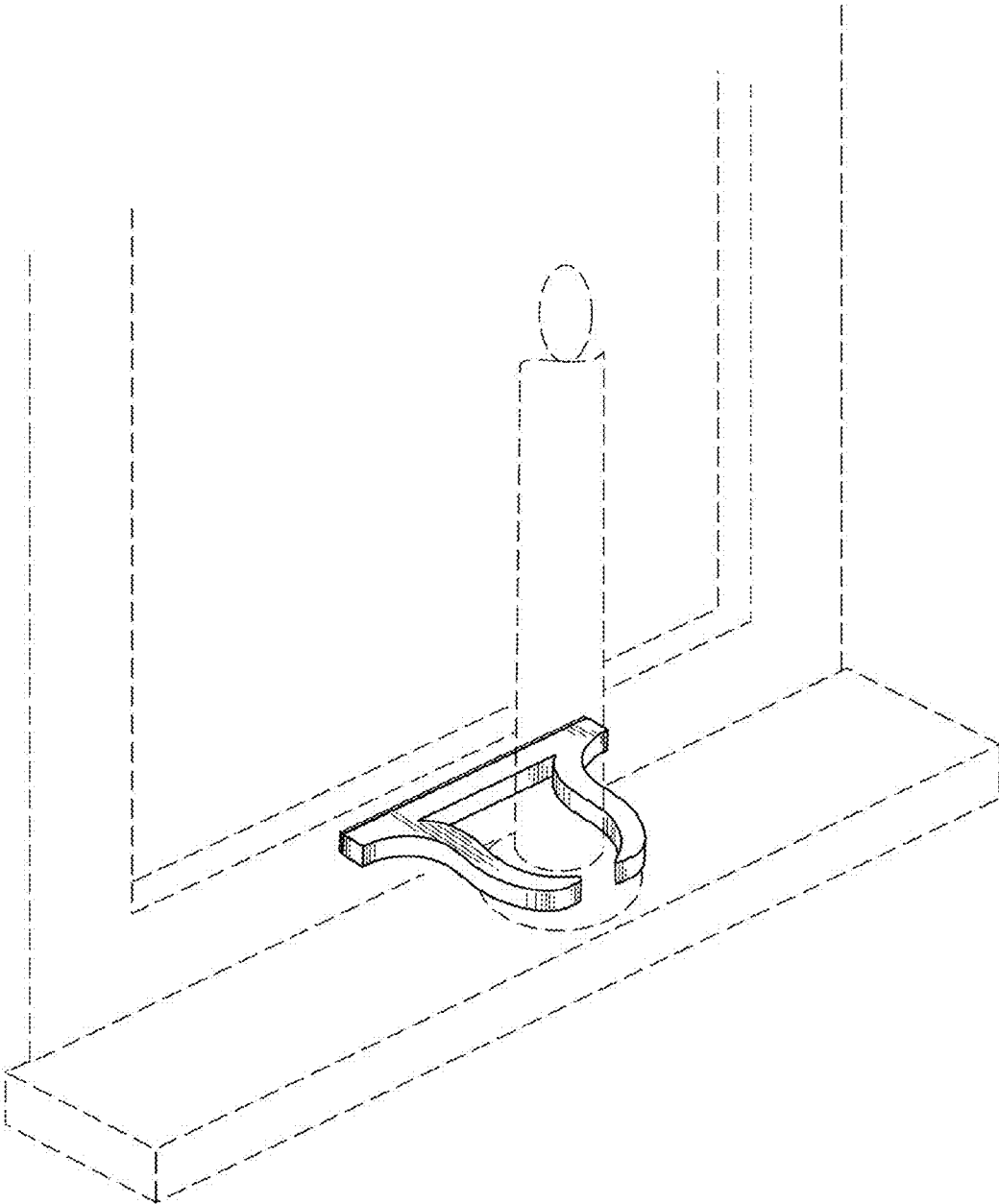


FIG. 6