



US00D629882S

(12) **United States Design Patent**  
**Nguyen**

(10) **Patent No.:** **US D629,882 S**

(45) **Date of Patent:** **\*\* Dec. 28, 2010**

(54) **VENT PROTECTING APPARATUS**

WO WO2008057092 A1 5/2008

(76) Inventor: **Thai Quoc Nguyen**, 3323 Cannongate  
CT, San Jose, CA (US) 95121

\* cited by examiner

(\*\*) Term: **14 Years**

*Primary Examiner*—T. Chase Nelson  
*Assistant Examiner*—David G Muller  
(74) *Attorney, Agent, or Firm*—Ash Tankha

(21) Appl. No.: **29/350,348**

(22) Filed: **Nov. 16, 2009**

(57) **CLAIM**

(51) **LOC (9) Cl.** ..... **23-04**

The ornamental design for a vent protecting apparatus, as shown and described.

(52) **U.S. Cl.** ..... **D23/386**; D14/448

(58) **Field of Classification Search** ..... D23/386;  
454/309, 275–277, 284, 287–291; D14/448–450  
See application file for complete search history.

**DESCRIPTION**

(56) **References Cited**

FIG. 1 is a front perspective view of a new design of a vent protecting apparatus;

U.S. PATENT DOCUMENTS

FIG. 2 is a top plan view thereof;

3,799,248	A	*	3/1974	Wenig	.....	454/288
D339,414	S	*	9/1993	Reed et al.	.....	D23/389
D390,547	S	*	2/1998	Chen	.....	D14/450
D395,293	S	*	6/1998	Kirby	.....	D14/449
D396,222	S		7/1998	Morgan et al.		
D400,669	S	*	11/1998	Hannigan	.....	D23/389
5,884,690	A	*	3/1999	Zussman et al.	.....	454/287
D431,536	S	*	10/2000	Feasey	.....	D14/449
D436,163	S	*	1/2001	Peterson et al.	.....	D23/393
D437,044	S	*	1/2001	Poland	.....	D23/386
D437,045	S	*	1/2001	Luster	.....	D23/403
D454,565	S		3/2002	Harriman		
D549,309	S	*	8/2007	Stephant	.....	D23/342
D560,668	S		1/2008	Pritchard et al.		
D585,973	S	*	2/2009	Geleziunas	.....	D23/395
D607,093	S	*	12/2009	Yanez	.....	D23/332
2004/0227722	A1		11/2004	Friberg et al.		

FIG. 3 is a bottom plan view thereof;

FIG. 4 is an enlarged bottom perspective broken view thereof;

FIG. 5 is an enlarged side elevation view thereof.

FIG. 6 is an enlarged side elevation view of the new design of the vent protecting apparatus mounted on the rear surface of an electronic device.

FIG. 7 is a front perspective view of the new design of the vent protecting apparatus mounted on the rear surface of an electronic device; and,

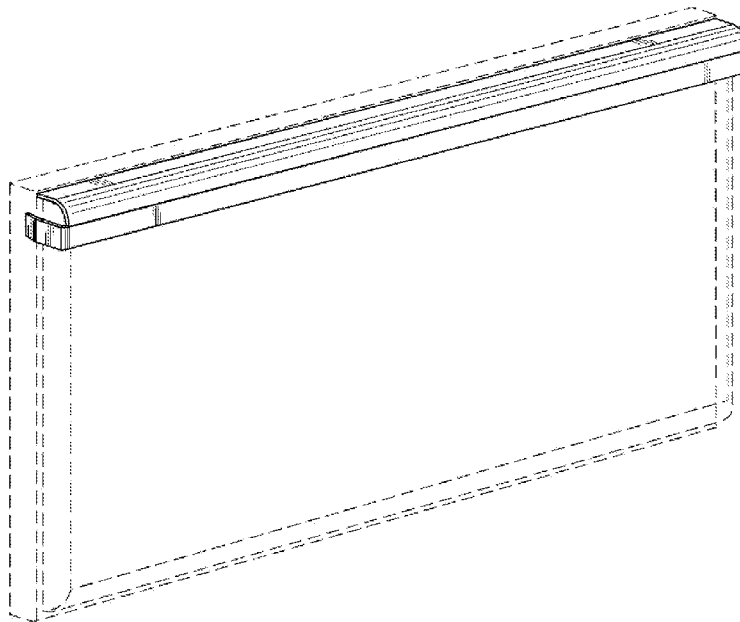
FIG. 8 is a rear perspective view of the new design of the vent protecting apparatus mounted on the rear surface of an electronic device.

The dashed lines in the drawings represent unclaimed subject matter.

FOREIGN PATENT DOCUMENTS

WO WO2004075037 A1 9/2004

**1 Claim, 7 Drawing Sheets**



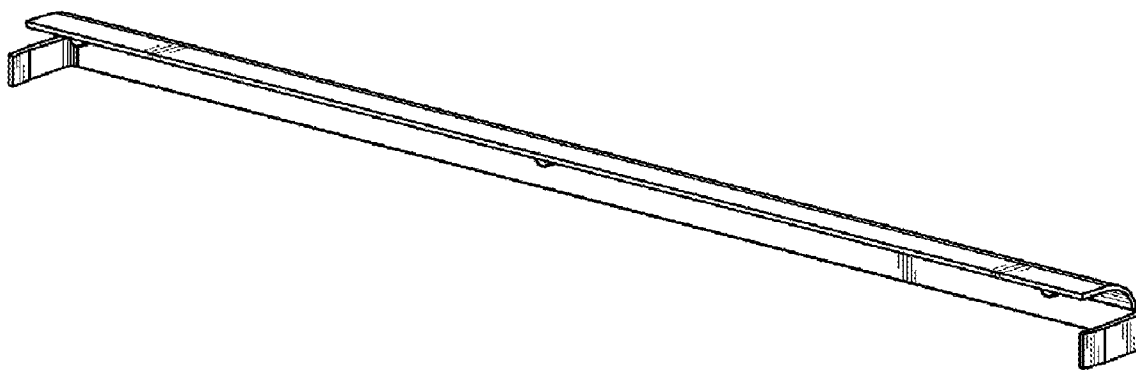


FIG. 1

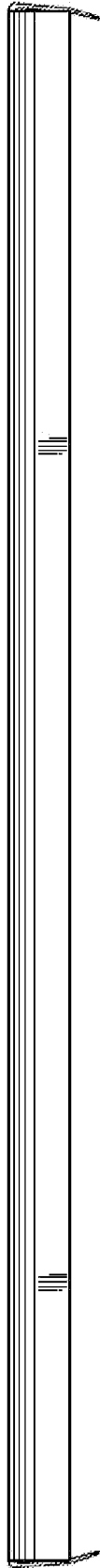


FIG. 2

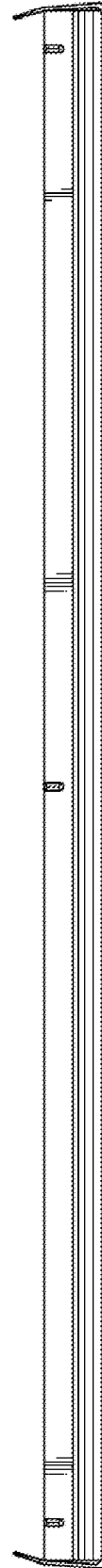


FIG. 3

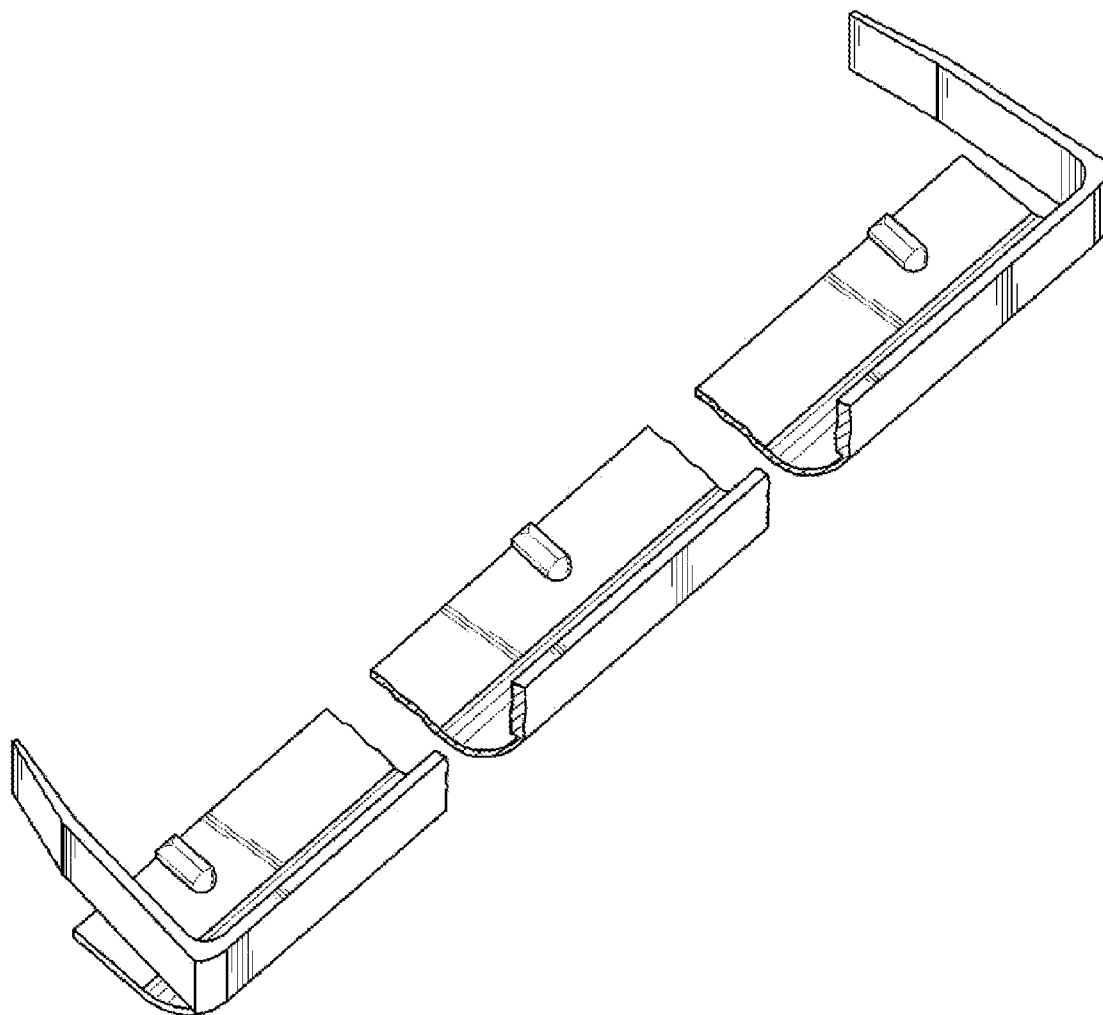


FIG. 4

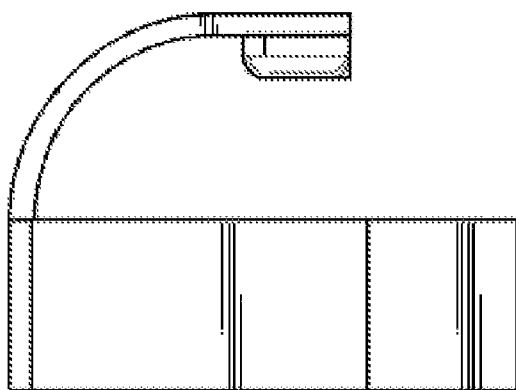


FIG. 5

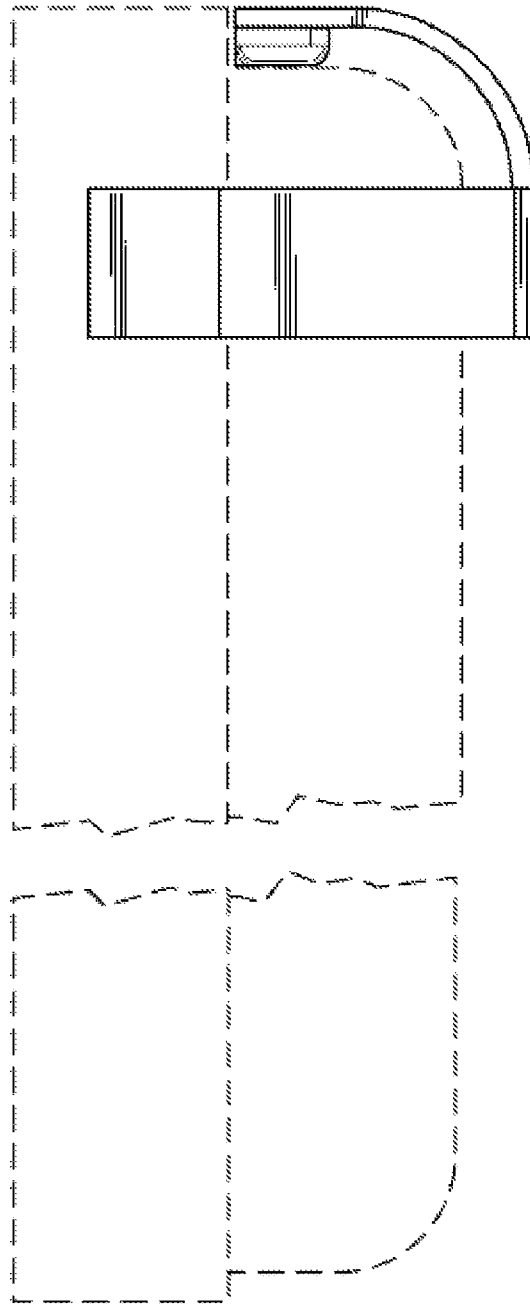


FIG. 6

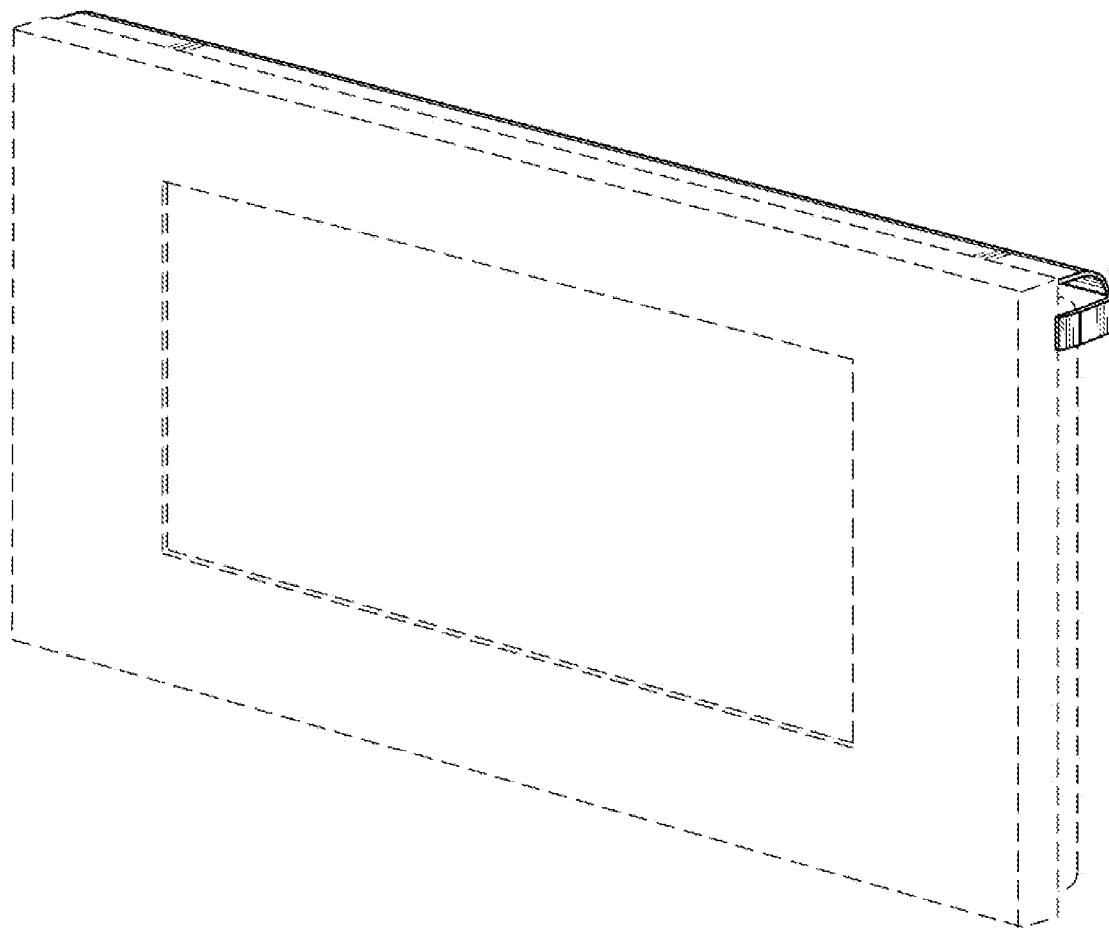


FIG. 7

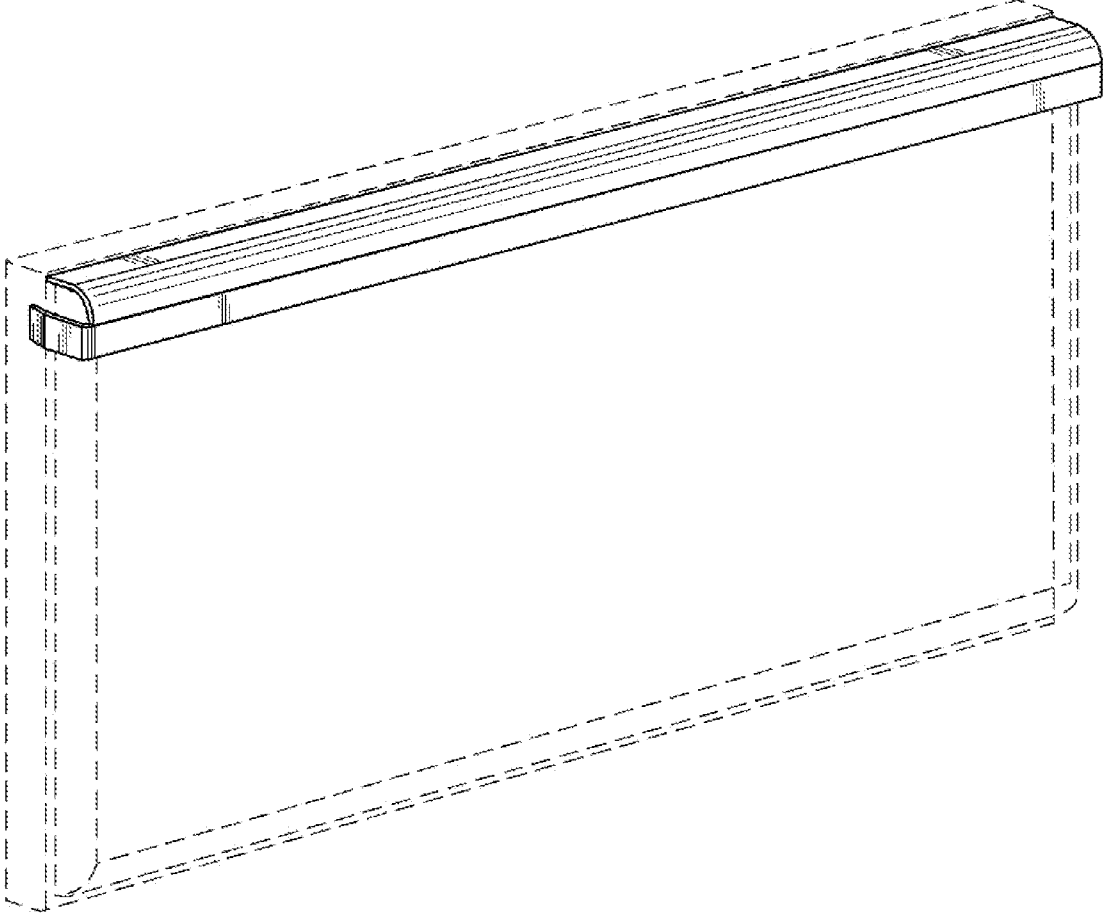


FIG. 8