



US00D621977S

(12) **United States Design Patent**
Lusi

(10) **Patent No.:** **US D621,977 S**

(45) **Date of Patent:** **** Aug. 17, 2010**

(54) **WINDOW CANDLE HOLDER**

(76) Inventor: **Carmella Mary Lusi**, 600 Buchingham Dr., Sewell, NJ (US) 08080

(**) Term: **14 Years**

(21) Appl. No.: **29/351,116**

(22) Filed: **Nov. 30, 2009**

(51) **LOC (9) Cl.** **26-01**

(52) **U.S. Cl.** **D26/9; D26/23**

(58) **Field of Classification Search** D26/9-23, D26/114-137; D8/349, 354, 355, 356, 363, D8/364, 365, 373, 380, 382, 394, 395, 396; 428/7-9, 11; 431/291, 311, 320, 298; 362/161-163, 362/351, 392
See application file for complete search history.

(56) **References Cited**

U.S. PATENT DOCUMENTS

5,199,781	A *	4/1993	Sweeny	362/145
5,249,108	A *	9/1993	Gary	362/388
5,422,803	A *	6/1995	Kilgore	362/392
D393,098	S	3/1998	Adams	
5,829,869	A	11/1998	Clegg et al.	
D403,440	S *	12/1998	Holmes et al.	D26/9
6,497,502	B1	12/2002	Clift et al.	
D477,096	S	7/2003	West et al.	
7,278,765	B2	10/2007	Cooper et al.	

7,651,063 B2 * 1/2010 Jensen 248/206.2
2007/0211481 A1 * 9/2007 Cooper et al. 362/392
2009/0163056 A1 6/2009 Brookins et al.

* cited by examiner

Primary Examiner—T. Chase Nelson
Assistant Examiner—Ania K Dworzecka
(74) *Attorney, Agent, or Firm*—Ashok Tankha; IP Legal Services

(57) **CLAIM**

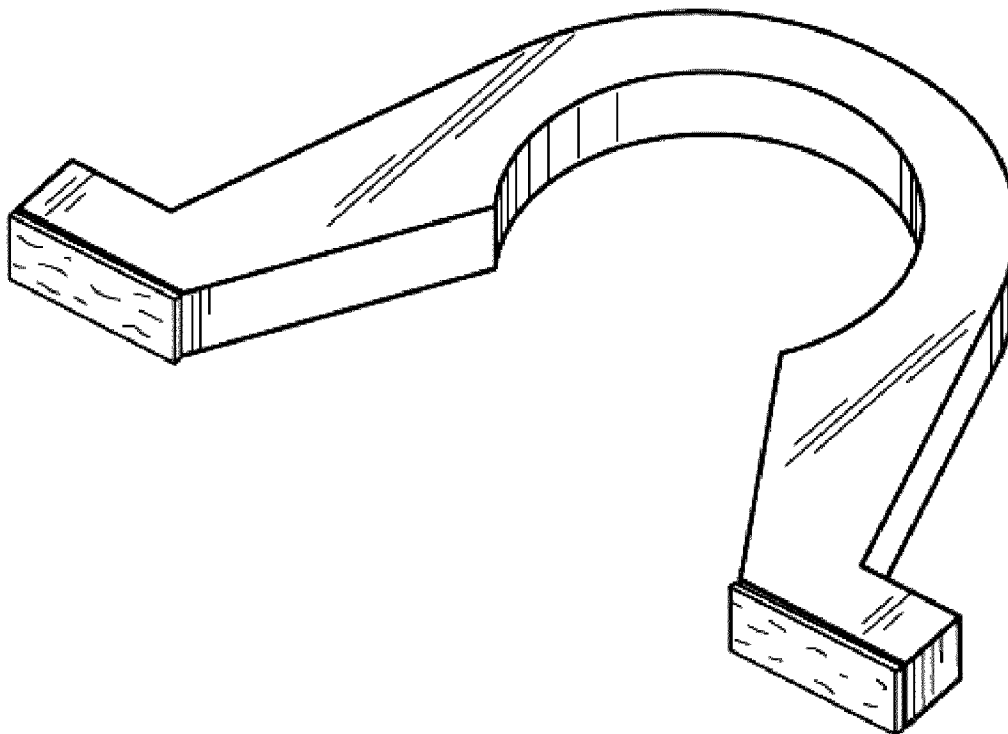
The ornamental design for a window candle holder, as shown and described.

DESCRIPTION

FIG. 1 is a perspective view of a window candle holder showing my new design;
FIG. 2 is a top plan view;
FIG. 3 is a rear elevation view;
FIG. 4 is a front elevation view;
FIG. 5 is a side elevation view; and,
FIG. 6 is a perspective view of a window candle holder shown in use.

The broken lines depict environmental structure that forms no part of the claimed design.

1 Claim, 5 Drawing Sheets



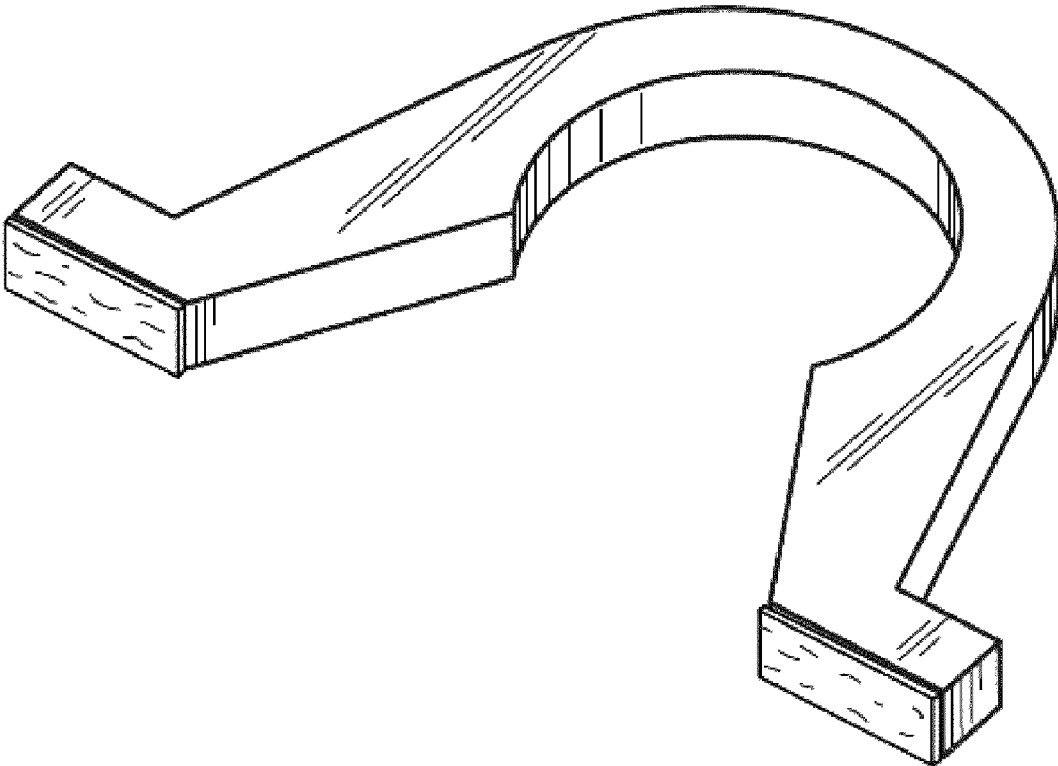


FIG. 1

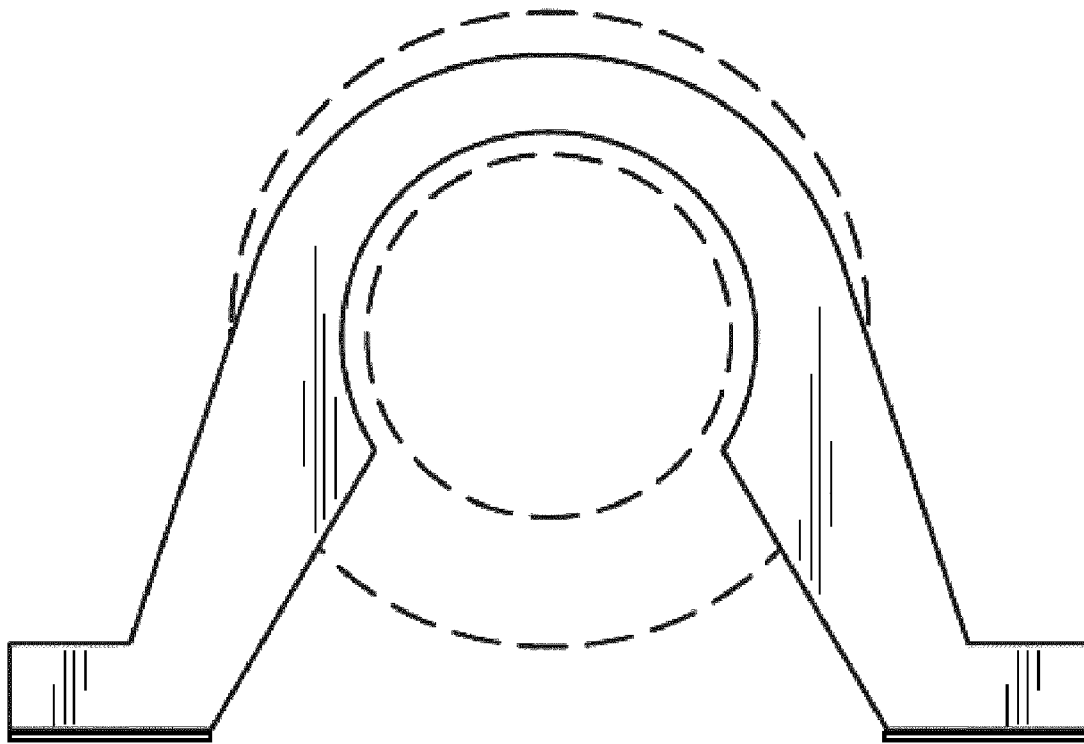


FIG. 2

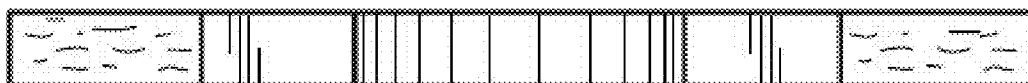


FIG. 3



FIG. 4

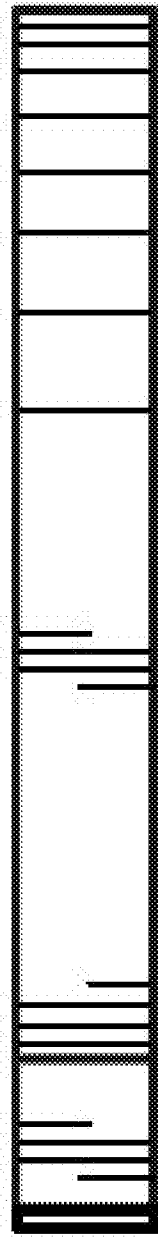


FIG. 5

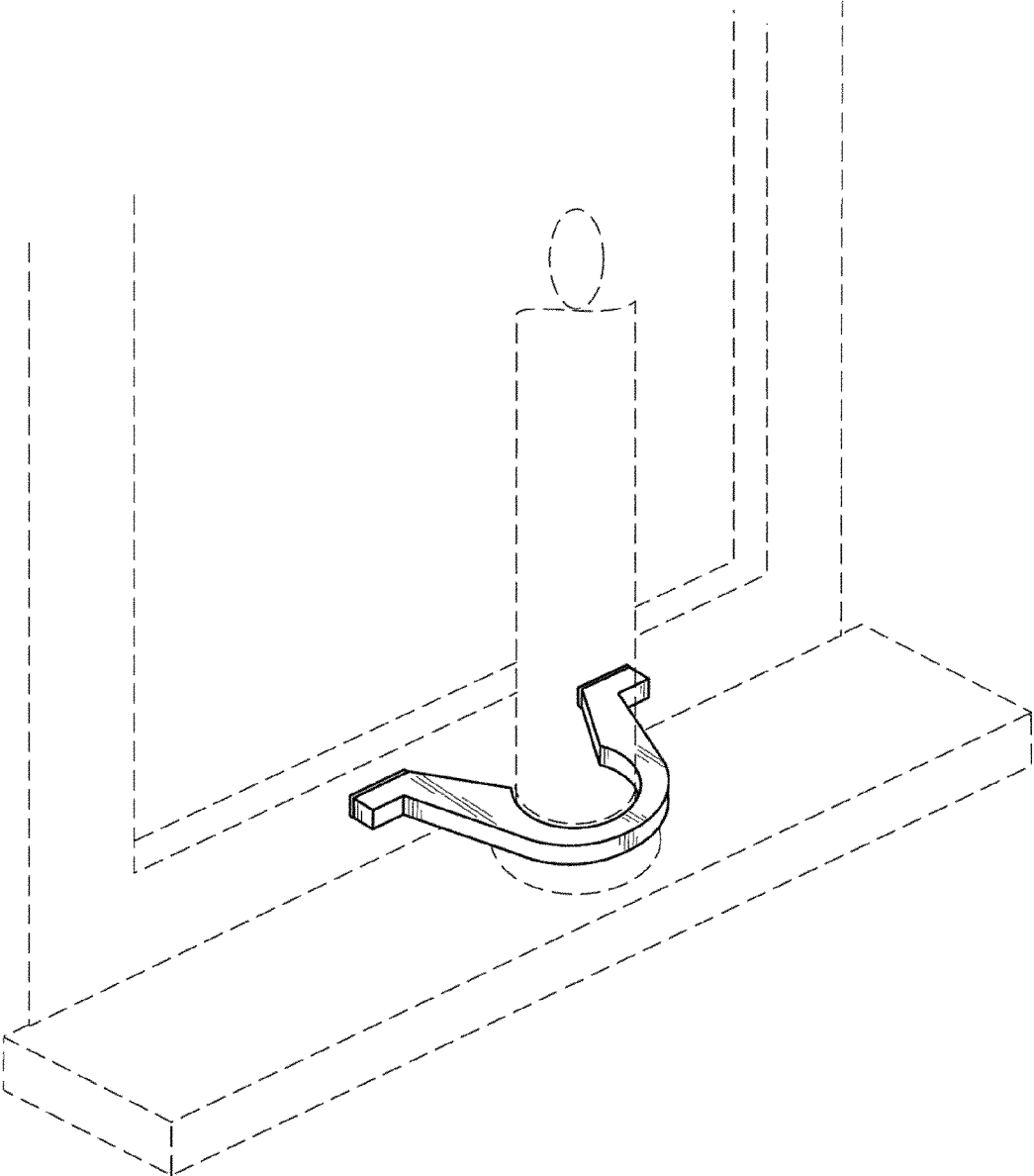


FIG. 6