



US00D695403S

(12) **United States Design Patent**
Shalon et al.

(10) **Patent No.:** **US D695,403 S**

(45) **Date of Patent:** **** *Dec. 10, 2013**

(54) **ANAL PLUG**

(75) Inventors: **Tidhar Shalon**, Palo Alto, CA (US);
Guy Kotlizky, Kfar-Shemaryahu (IL)

(73) Assignee: **Renew Medical Inc.**, Menlo Park, CA (US)

(*) Notice: This patent is subject to a terminal disclaimer.

(**) Term: **14 Years**

(21) Appl. No.: **29/423,621**

(22) Filed: **Jun. 3, 2012**

Related U.S. Application Data

(63) Continuation-in-part of application No. 12/376,294, filed as application No. PCT/IL2008/001450 on Nov. 5, 2008, now abandoned.

(51) **LOC (9) Cl.** **24-02**

(52) **U.S. Cl.**
USPC **D24/141**

(58) **Field of Classification Search**
USPC D24/141, 133, 140, 215, 107; 128/885;
600/29-30, 32; 604/332, 335, 337,
604/114, 191, 197

See application file for complete search history.

(56) **References Cited**

U.S. PATENT DOCUMENTS

2,653,599	A *	9/1953	Bell	606/191
3,127,893	A	4/1964	Montague	
3,570,489	A	3/1971	Brown	
3,675,642	A *	7/1972	Lord	606/197
3,841,304	A	10/1974	Jones	
3,894,539	A *	7/1975	Tallent	604/215
4,563,182	A	1/1986	Stoy et al.	

5,030,199	A *	7/1991	Barwick et al.	600/29
5,090,424	A *	2/1992	Simon et al.	128/885
5,131,906	A *	7/1992	Chen	600/29
5,417,226	A	5/1995	Juma	
5,482,039	A	1/1996	Place	
5,513,659	A	5/1996	Buuck et al.	
5,722,931	A *	3/1998	Heaven	600/29
5,749,826	A	5/1998	Faulkner	
6,096,057	A	8/2000	Klingenstein	
6,129,083	A *	10/2000	Jansen	128/885
6,364,852	B1	4/2002	Lee	
6,440,060	B1	8/2002	Latour, Jr.	
6,468,245	B2	10/2002	Alexandersen	

(Continued)

FOREIGN PATENT DOCUMENTS

WO	WO 2007/077551	7/2007
WO	WO 2009/060437	5/2009
WO	WO 2009/107136	9/2009

OTHER PUBLICATIONS

International Preliminary Report on Patentability Dated Sep. 10, 2010 From the International Bureau of WIPO Re. Application No. PCT/IL2009/000224.

(Continued)

Primary Examiner — Wan Laymon
(74) *Attorney, Agent, or Firm* — Ash Tankha; Lipton, Weinberger & Husick

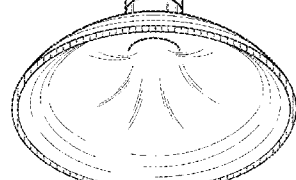
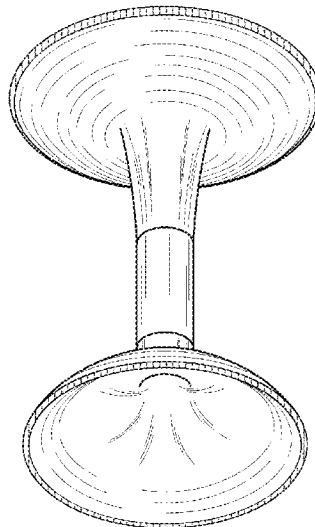
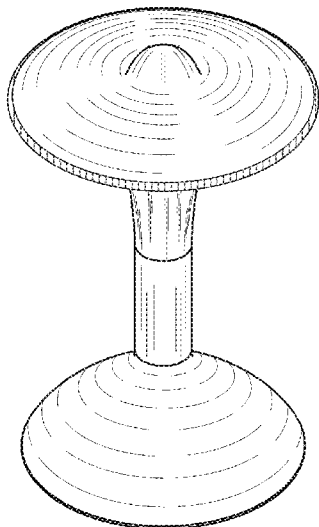
(57) **CLAIM**

The ornamental design for an anal plug, as shown and described.

DESCRIPTION

FIG. 1 is a front view of the anal plug showing our design; FIG. 2 is a perspective view thereof; and, FIG. 3 is a bottom perspective view thereof.

1 Claim, 2 Drawing Sheets



(56)

References Cited

U.S. PATENT DOCUMENTS

6,485,476	B1	11/2002	Von Dyck et al.
6,929,663	B2	8/2005	Rioux et al.
7,553,273	B2	6/2009	Ferguson
7,695,489	B2	4/2010	Brockman
2004/0267198	A1	12/2004	Torstensen
2007/0287968	A1	12/2007	Daneshvar
2010/0152529	A1	6/2010	Shalon et al.
2012/0190915	A1	7/2012	Shalon et al.

OTHER PUBLICATIONS

International Preliminary Report on Patentability Dated May 20, 2010 From the International Bureau of WIPO Re.: Application No. PCT/IL2008/001450.

International Search Report Dated Mar. 6, 2009 From the International Searching Authority Re.: Application No. PCT/IL2008/001450.

International Search Report Dated Jun. 26, 2009 From the International Searching Authority Re.: Application No. PCT/IL09/00224.

Office Action Dated Sep. 12, 2011 From the Israel Patent Office Re. Application No. 205593 and Its Translation Into English.

Office Action Dated Feb. 23, 2012 From the Israel Patent Office Re. Application No. 205593 and Its Translation Into English.

Written Opinion Dated Mar. 6, 2009 From the International Searching Authority Re.: Application No. PCT/IL2008/001450.

Written Opinion Dated Jun. 26, 2009 From the International Searching Authority Re.: Application No. PCT/IL09/00224.

* cited by examiner

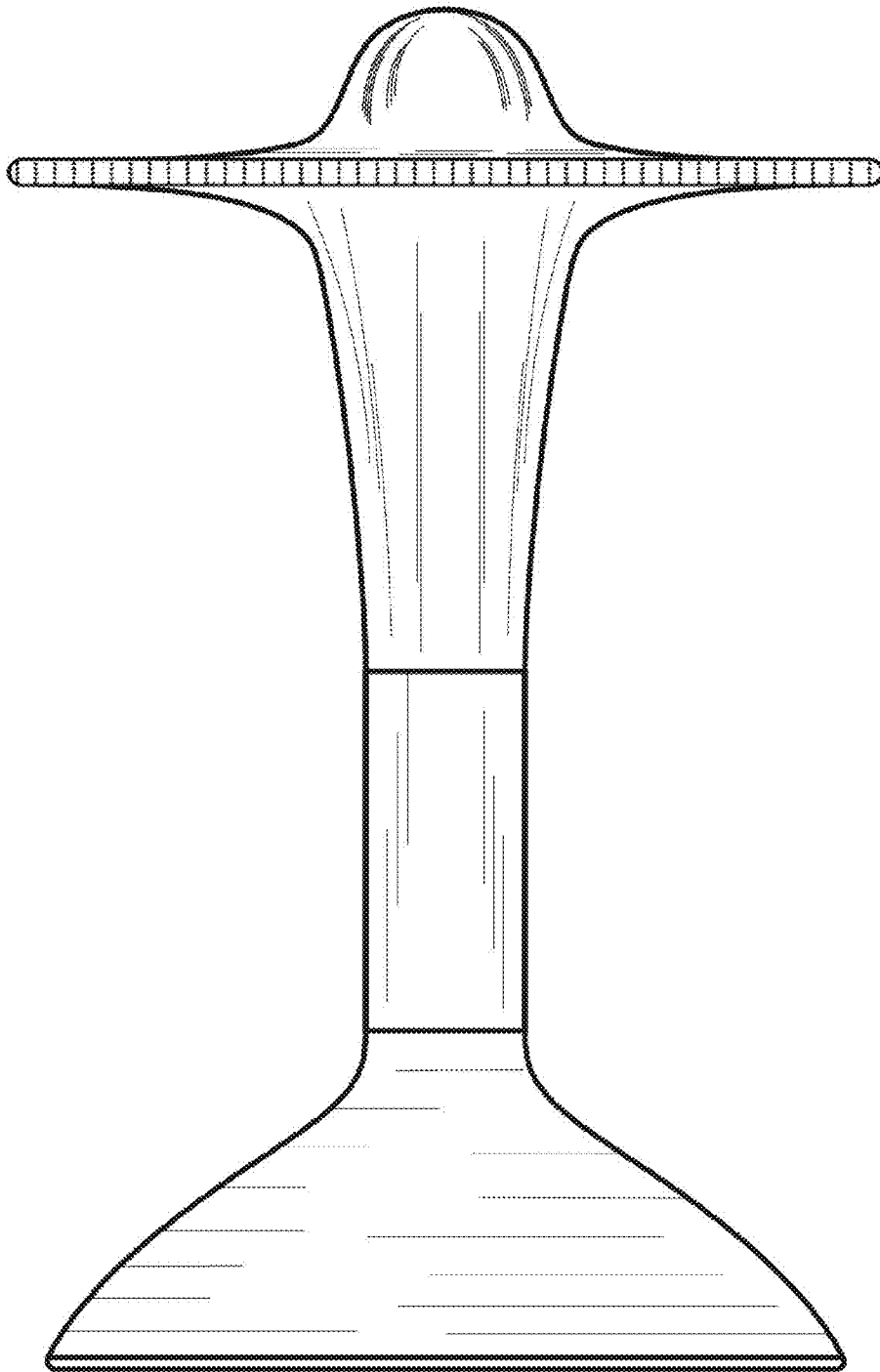


Fig. 1

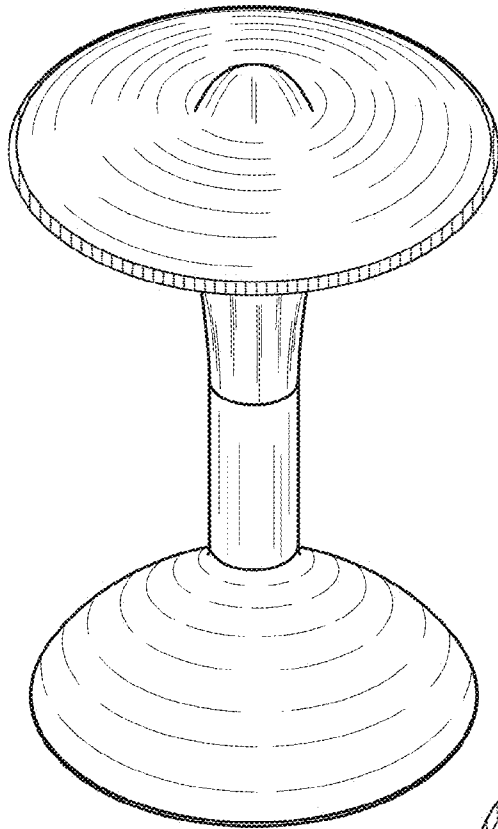


FIG. 2

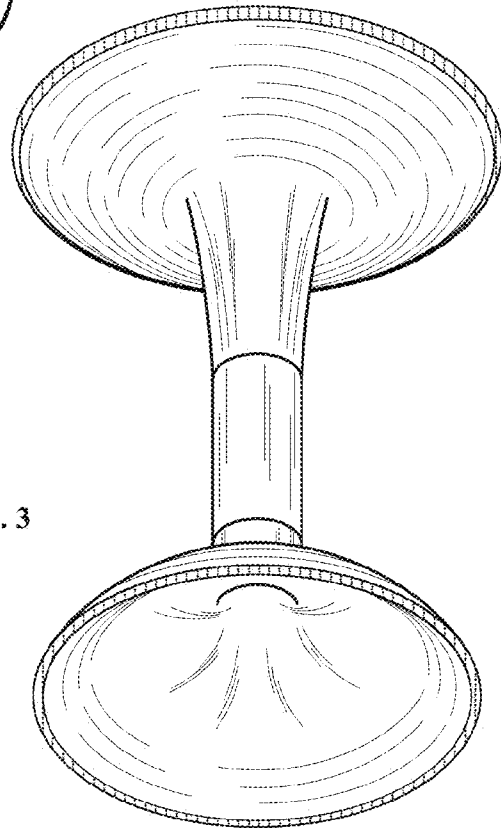


FIG. 3