



US00D654783S

(12) **United States Design Patent**
Warren

(10) **Patent No.:** **US D654,783 S**

(45) **Date of Patent:** **** Feb. 28, 2012**

(54) **ADJUSTABLE PAINTBRUSH HOOK**

(76) Inventor: **Ulysses Warren**, Elk Grove, CA (US)

(**) Term: **14 Years**

(21) Appl. No.: **29/397,334**

(22) Filed: **Jul. 14, 2011**

(51) **LOC (9) Cl.** **08-05**

(52) **U.S. Cl.** **D8/367**

(58) **Field of Classification Search** D8/367,
D8/373, 349, 354, 71; 248/31 X, 215, 74,
248/302, 211, 214, 307, 111, 690, 213.2,
248/692; 15/174, 246, 159.1; D32/54; D22/144;
220/495.1; D6/223

See application file for complete search history.

(56) **References Cited**

U.S. PATENT DOCUMENTS

1,313,515	A	8/1919	Caffrey	
1,653,374	A *	12/1927	Rossi	15/248.1
2,309,990	A	2/1943	Savi	
3,223,375	A *	12/1965	Bernasconi	410/101
5,044,038	A	9/1991	Matkovic	
5,087,014	A	2/1992	Desjardin	
5,476,240	A	12/1995	McDonough	
D384,268	S *	9/1997	Jones	D8/367
D431,337	S	9/2000	King	
6,176,455	B1 *	1/2001	Ma	248/101
6,419,194	B1 *	7/2002	LoSacco et al.	248/113
6,533,231	B1 *	3/2003	Kiviniitty	248/304

7,000,783	B2 *	2/2006	Webb	211/20
7,441,729	B2 *	10/2008	Humber et al.	248/58
D608,186	S *	1/2010	Nicoll	D8/367
7,658,352	B2	2/2010	Gronbach	

FOREIGN PATENT DOCUMENTS

ES 2009013367 A1 1/2009

* cited by examiner

Primary Examiner — Cynthia Underwood

(74) *Attorney, Agent, or Firm* — Ash Tankha; Lipton, Weinberger & Husick

(57) **CLAIM**

The ornamental design for an adjustable paintbrush hook, as shown and described.

DESCRIPTION

FIG. 1 is a front perspective view of a new design for an adjustable paintbrush hook;

FIG. 2 is a front orthogonal view thereof, shown in an alternative position of use with the swiveling hook swiveled towards the left;

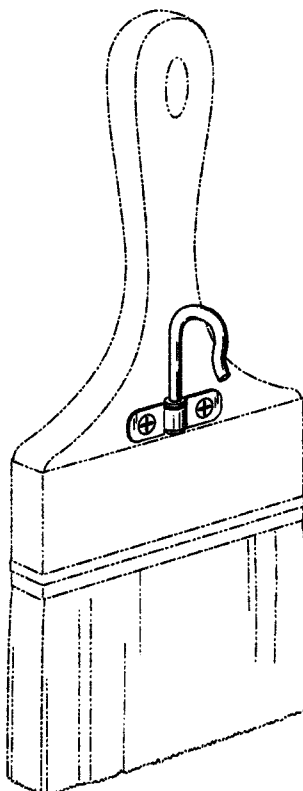
FIG. 3 is an orthogonal view thereof, shown in an alternative position of use with the swiveling hook swiveled towards the left.

FIG. 4 is a front plan view thereof; and,

FIG. 5 is an orthogonal view thereof, shown in an alternative position of use with the swiveling hook swiveled towards right.

The broken lines represent an environment of use and form no part of the claim.

1 Claim, 3 Drawing Sheets



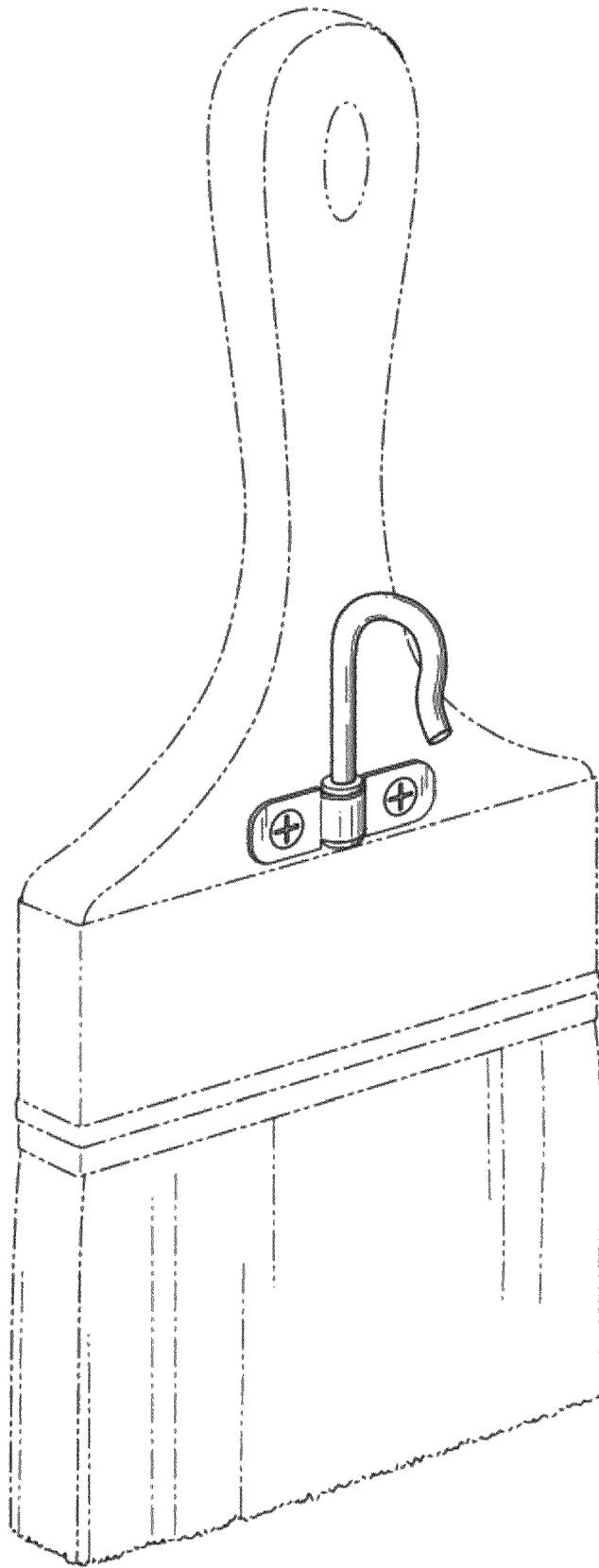


FIG. 1

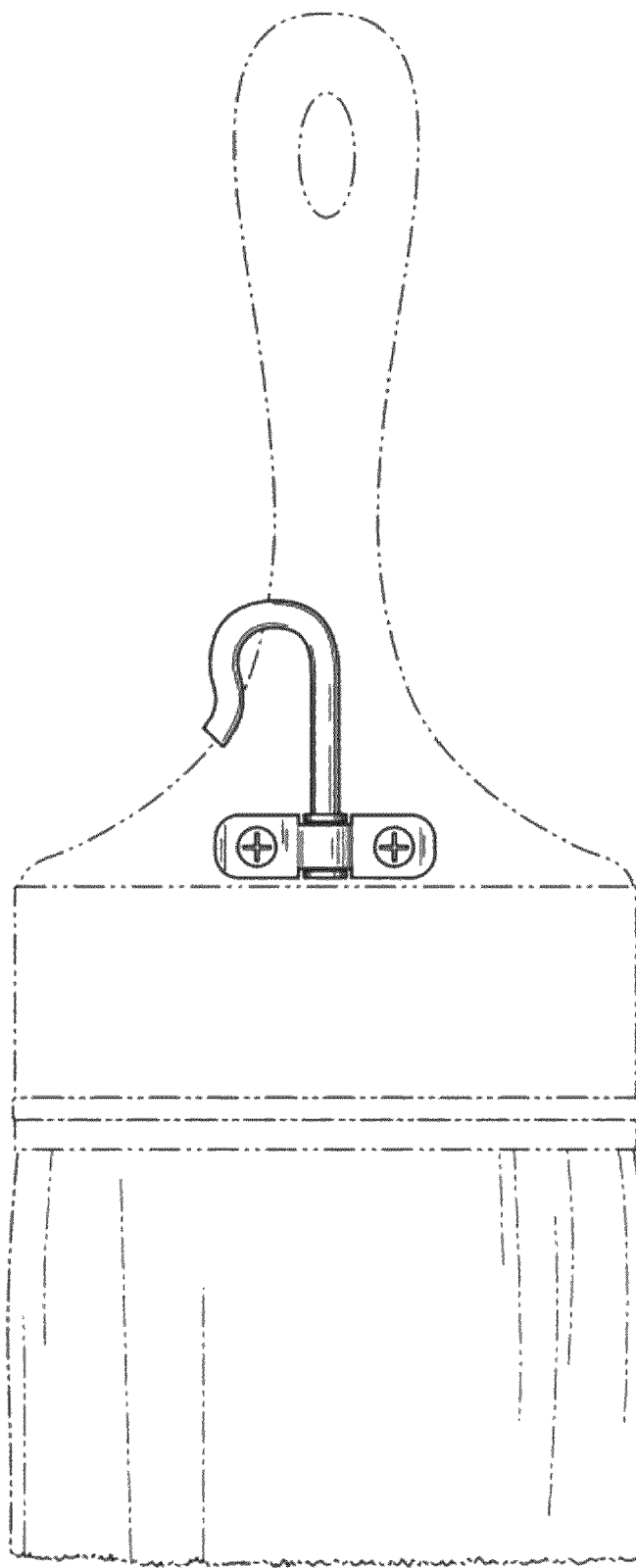


FIG. 2

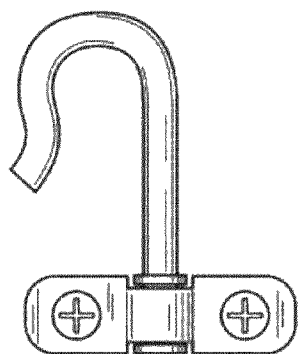


FIG. 3

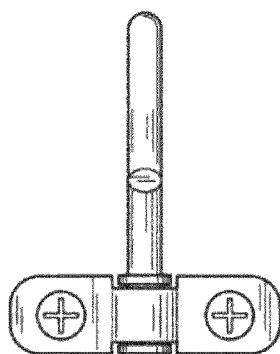


FIG. 4

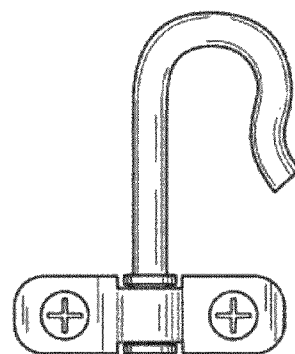


FIG. 5