



(12) **United States Design Patent**  
**Lusi**

(10) **Patent No.:** **US D625,441 S**  
(45) **Date of Patent:** **\*\* Oct. 12, 2010**

- (54) **WINDOW CANDLE HOLDER**
- (76) Inventor: **Carmella Mary Lusi**, 600 Buckingham Dr., Sewell, NJ (US) 08080
- (\*\*) Term: **14 Years**
- (21) Appl. No.: **29/364,702**
- (22) Filed: **Jun. 28, 2010**

D403,440 S \* 12/1998 Holmes et al. .... D26/9  
 7,278,765 B2 \* 10/2007 Cooper et al. .... 362/392  
 7,651,063 B2 \* 1/2010 Jensen ..... 248/206.2  
 2007/0211481 A1\* 9/2007 Cooper et al. .... 362/392  
 \* cited by examiner

*Primary Examiner*—T. Chase Nelson  
*Assistant Examiner*—Ania K Dworzecka  
 (74) *Attorney, Agent, or Firm*—Ash Tankha; IP Legal Services

**Related U.S. Application Data**

- (62) Division of application No. 29/351,116, filed on Nov. 30, 2009, now Pat. No. Des. 621,977.
- (51) **LOC (9) Cl.** ..... **26-01**
- (52) **U.S. Cl.** ..... **D26/9; D26/23**
- (58) **Field of Classification Search** ..... D26/9–23, D26/114–137; D8/349, 354, 355, 356, 363, D8/364, 365, 373, 380, 382, 394, 395, 396; 428/7–9, 11; 431/291, 311, 320, 298; 362/161–163, 362/351, 392  
 See application file for complete search history.

**References Cited**

**U.S. PATENT DOCUMENTS**

- (56) 3,540,687 A \* 11/1970 Cuva ..... 248/223.41
- 5,199,781 A \* 4/1993 Sweeny ..... 362/145
- 5,249,108 A \* 9/1993 Gary ..... 362/388
- D393,098 S \* 3/1998 Adams ..... D26/138

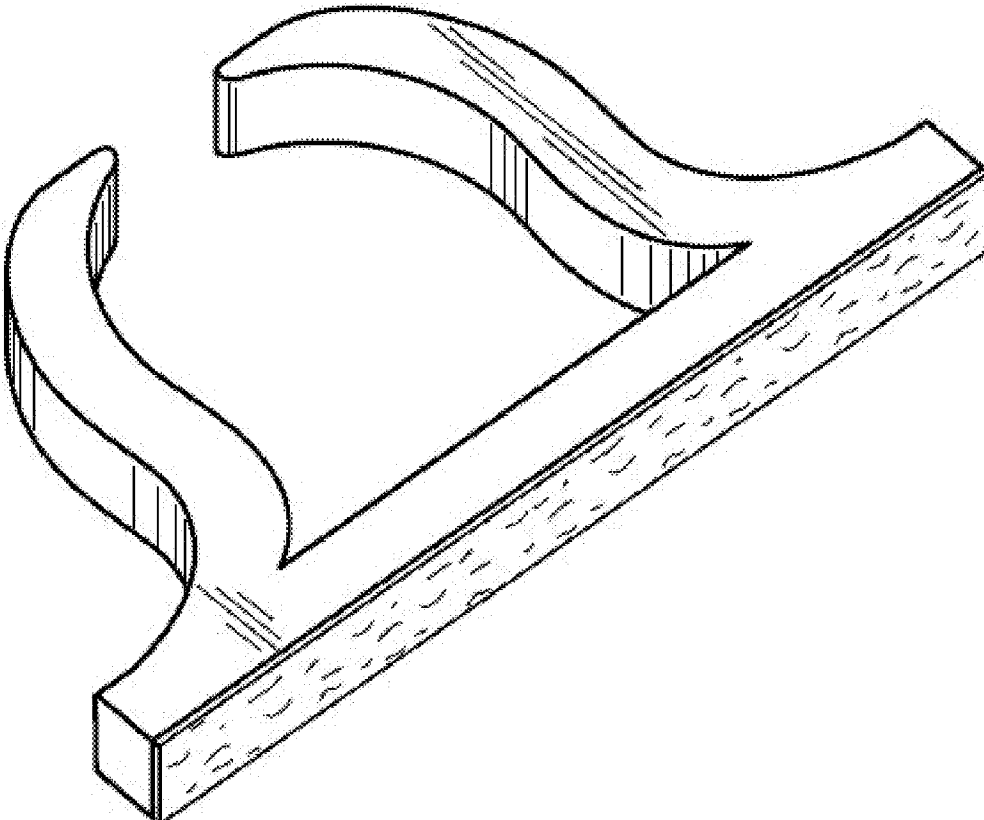
(57) **CLAIM**

The ornamental design for a window candle holder, as shown and described.

**DESCRIPTION**

FIG. 1 is a perspective view of a window candle holder showing my new design;  
 FIG. 2 is a top plan view;  
 FIG. 3 is a rear elevation view;  
 FIG. 4 is a front elevation view;  
 FIG. 5 is a side elevation view; and,  
 FIG. 6 is a perspective view of a window candle holder shown in use.  
 The broken lines depict environmental structure that forms no part of the claimed design.

**1 Claim, 5 Drawing Sheets**



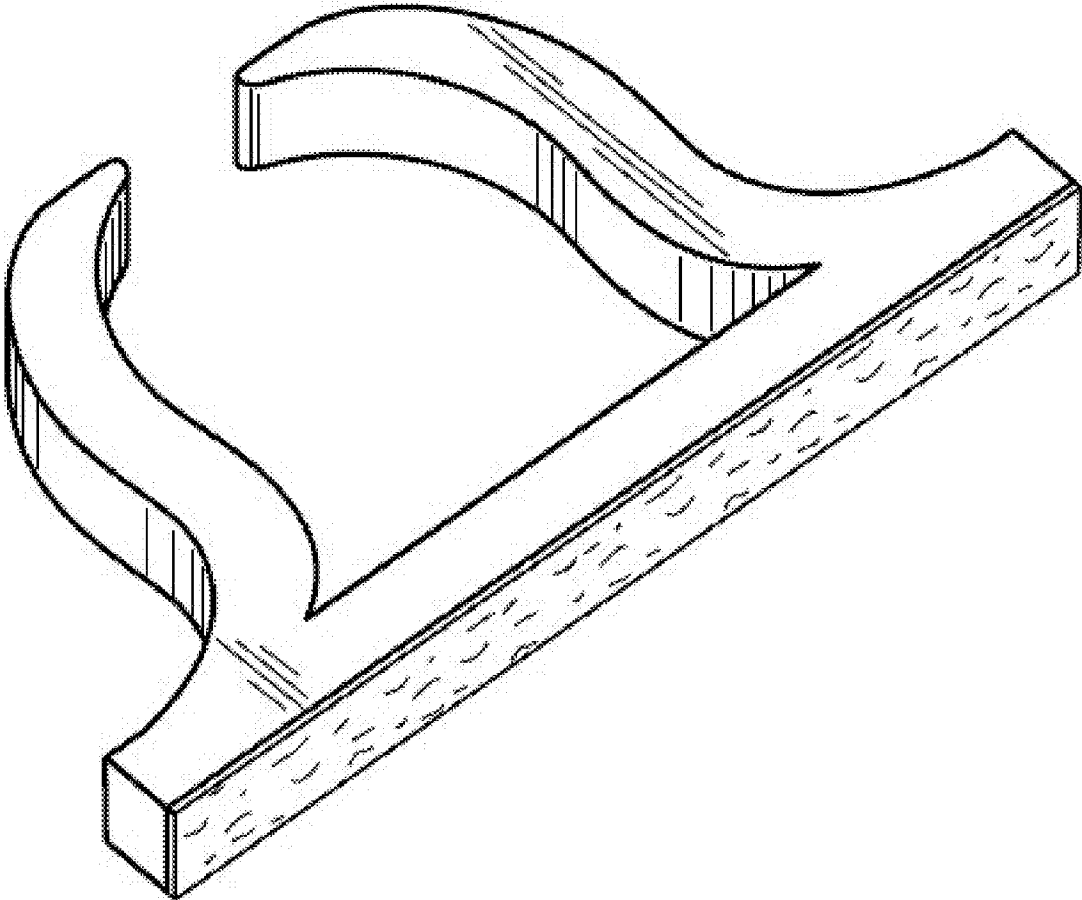


FIG. 1

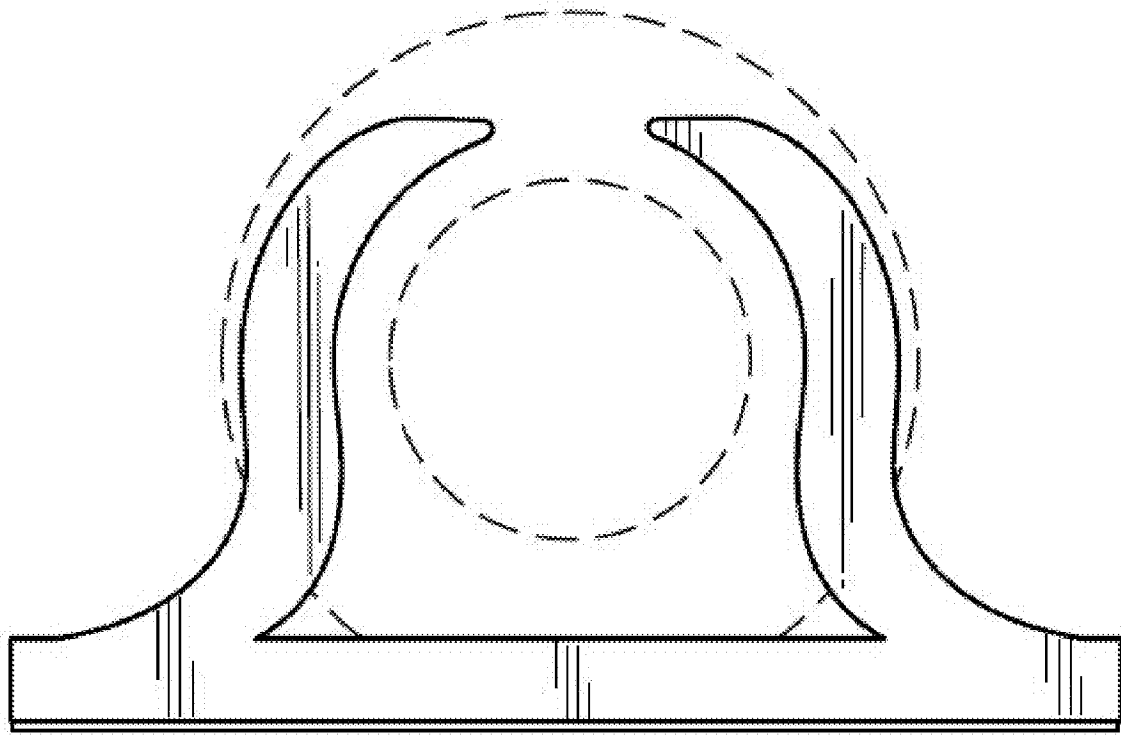


FIG. 2



FIG. 3



FIG. 4

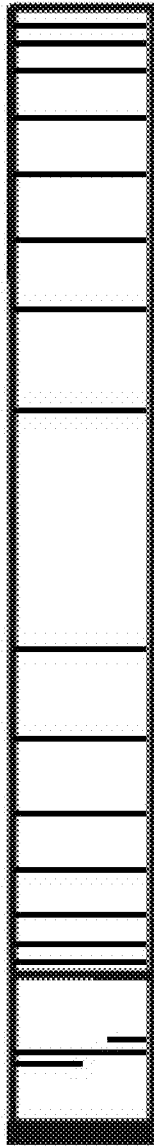


FIG. 5

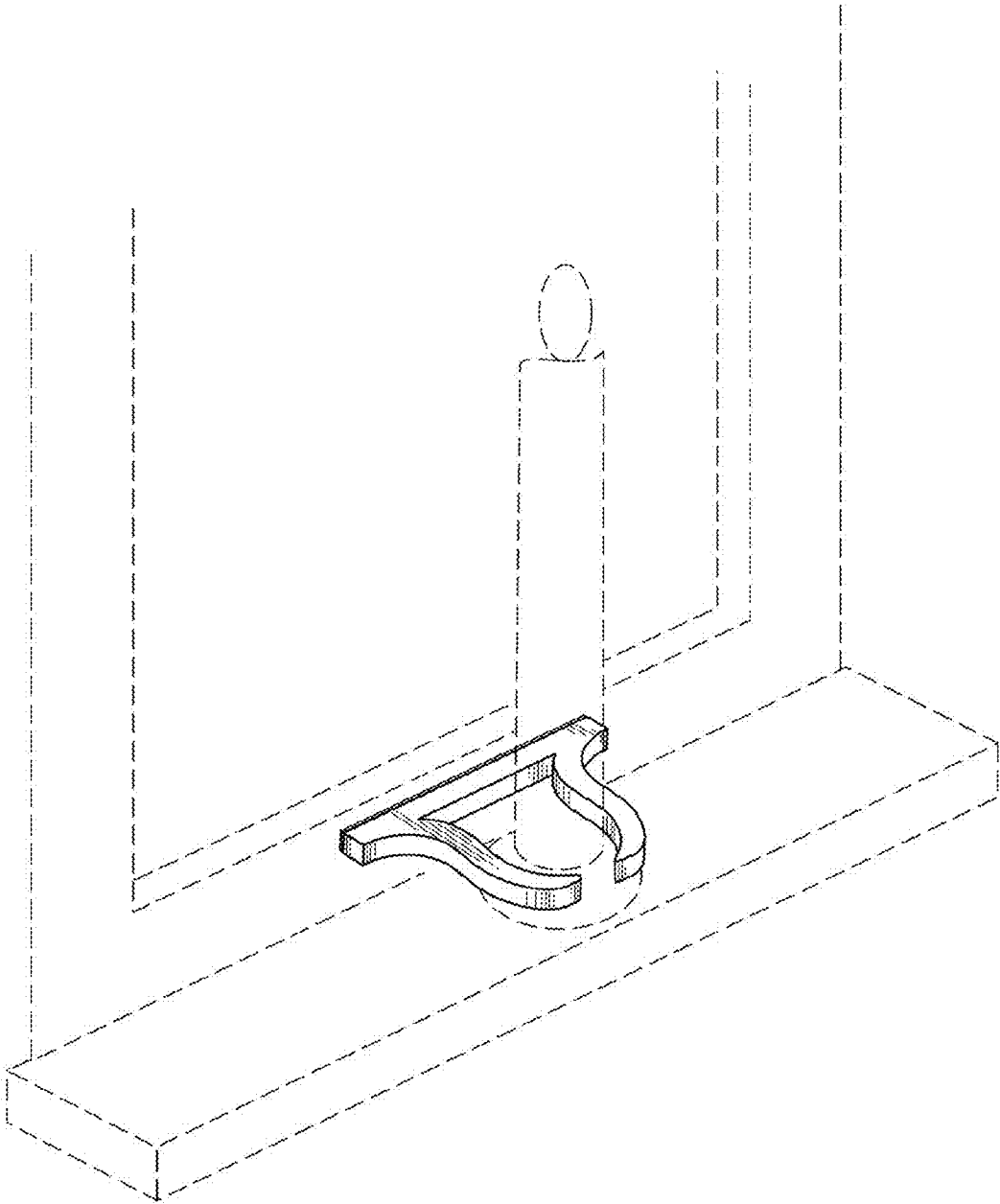


FIG. 6