



US00D611200S

(12) **United States Design Patent**
Packard

(10) **Patent No.:** **US D611,200 S**

(45) **Date of Patent:** **** Mar. 2, 2010**

(54) **DECORATIVE STRIP FOR ATTACHMENT TO HEADGEAR**

(76) Inventor: **Steven David Packard**, 3231 Via Del Sueno, Atascadero, CA (US) 93422

(**) Term: **14 Years**

(21) Appl. No.: **29/331,547**

(22) Filed: **Jan. 27, 2009**

(51) **LOC (9) Cl.** **29-02**

(52) **U.S. Cl.** **D29/122**

(58) **Field of Classification Search** D29/102-111, D29/122; 2/9, 410-414, 416-425, 209.13, 2/906, DIG. 1, 8.1-8.2, 8.6, 8.7, 171.3, 427, 2/429, 10, 206, 173, 202, 457, 4; 62/3.5, 62/259.3; 128/204.15, 889, 201.24, 201.15, 128/857-858, 891; D24/189, 191, 124; 602/74, 602/58; D5/58, 47, 1; 604/358, 384, 385.01
See application file for complete search history.

(56) **References Cited**

U.S. PATENT DOCUMENTS

D60,107 S *	12/1921	Quimby	D4/126
5,741,336 A *	4/1998	Fraser	623/15.11
D422,777 S	4/2000	Scott		
D442,746 S	5/2001	Belcher		
6,357,052 B1 *	3/2002	Fleming	2/209.13

D458,734 S *	6/2002	Clair	D2/869
D500,580 S *	1/2005	Rothschild	D2/866
D501,280 S *	1/2005	Kole	D29/122
D501,281 S *	1/2005	Kole	D29/122
D501,957 S	2/2005	Jagger		

* cited by examiner

Primary Examiner—Ruth McInroy

(74) *Attorney, Agent, or Firm*—Ash Tankha

(57) **CLAIM**

I claim the ornamental design for a decorative strip for attachment to headgear, as shown and described.

DESCRIPTION

FIG. 1 is a rear isometric view of a decorative strip for attachment to headgear showing my new design;

FIG. 2 is a front view thereof;

FIG. 3 is a rear view thereof;

FIG. 4 is a side view thereof;

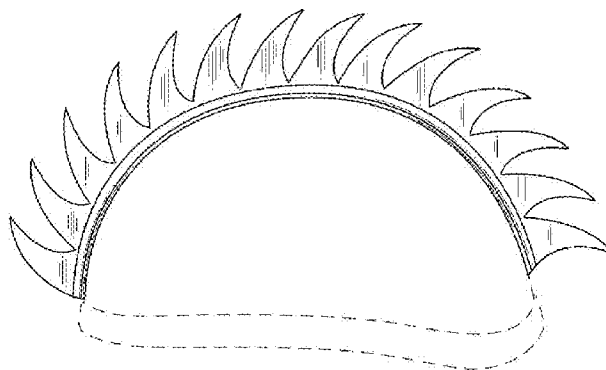
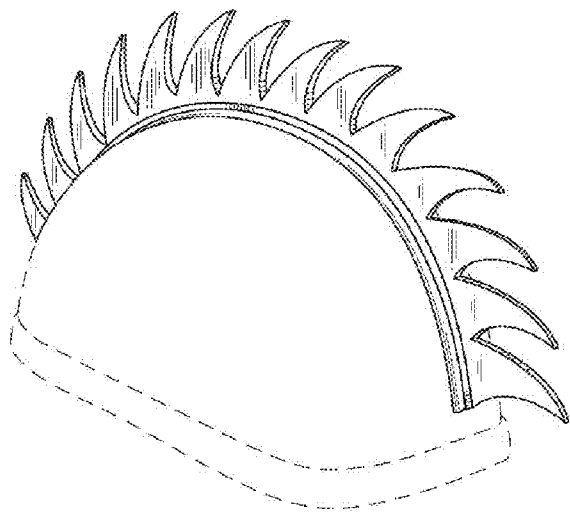
FIG. 5 is a side view of the opposite side of FIG. 4;

FIG. 6 is a top view thereof; and,

FIG. 7 is a bottom view thereof.

The details shown in broken lines form no part of the claimed design.

1 Claim, 7 Drawing Sheets



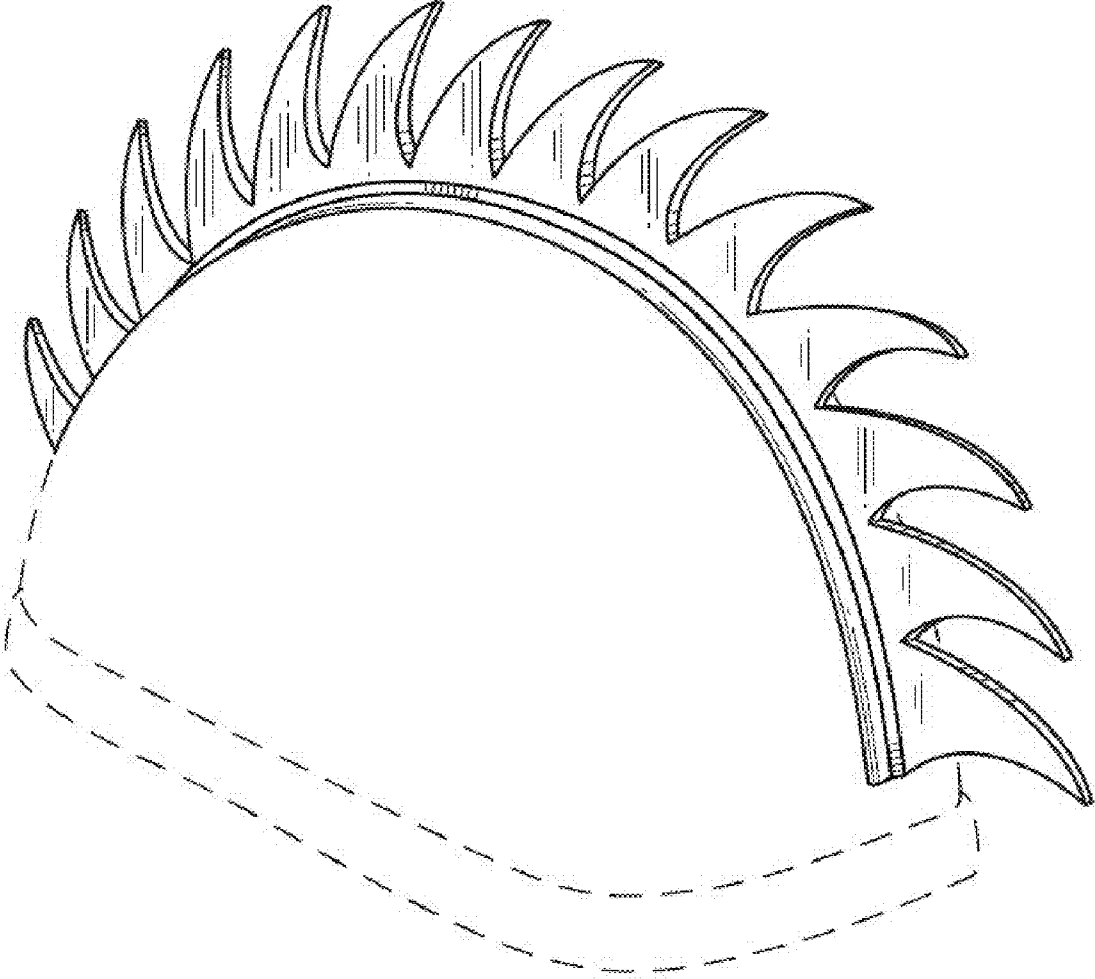


FIG. 1

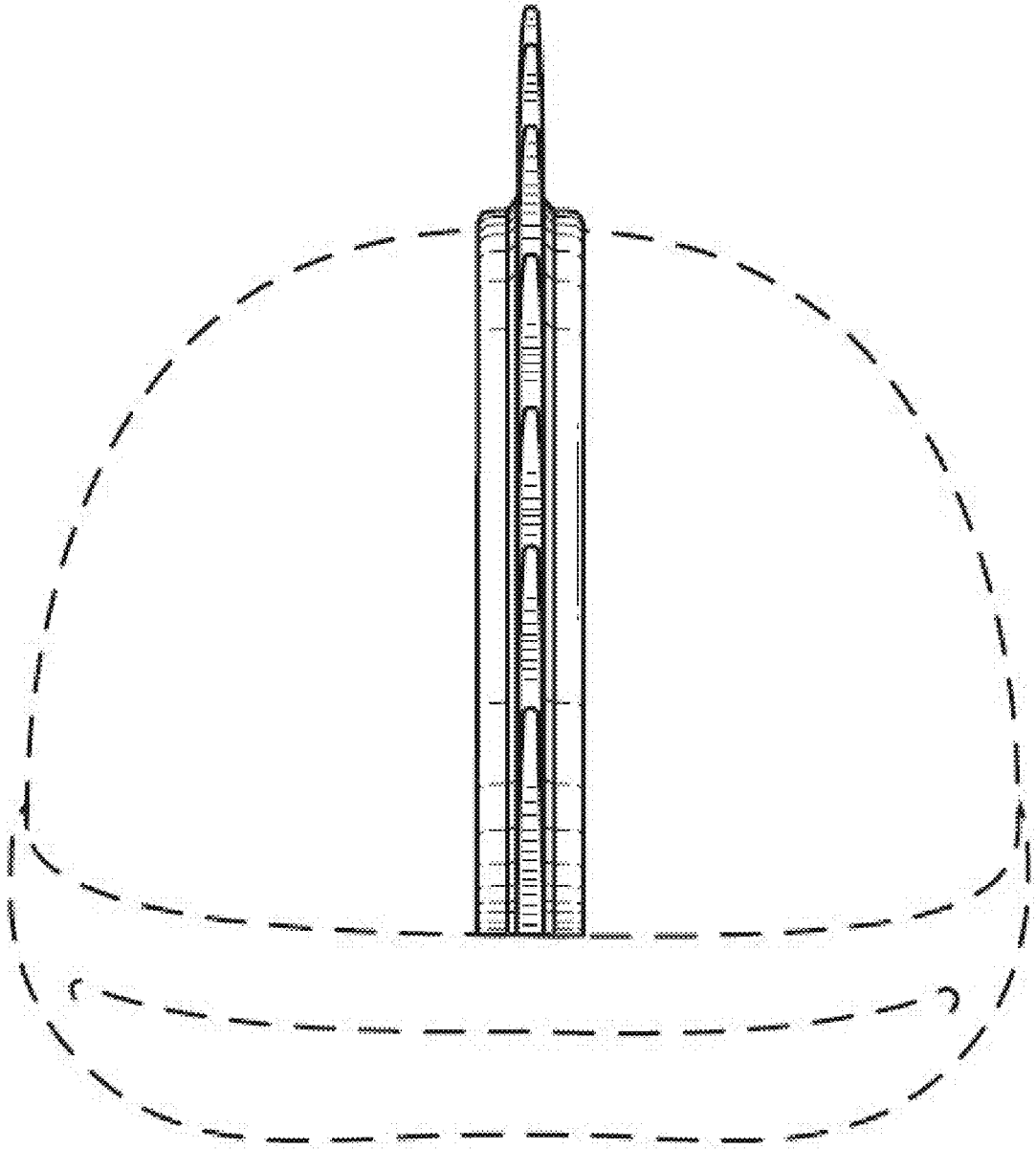


FIG. 2

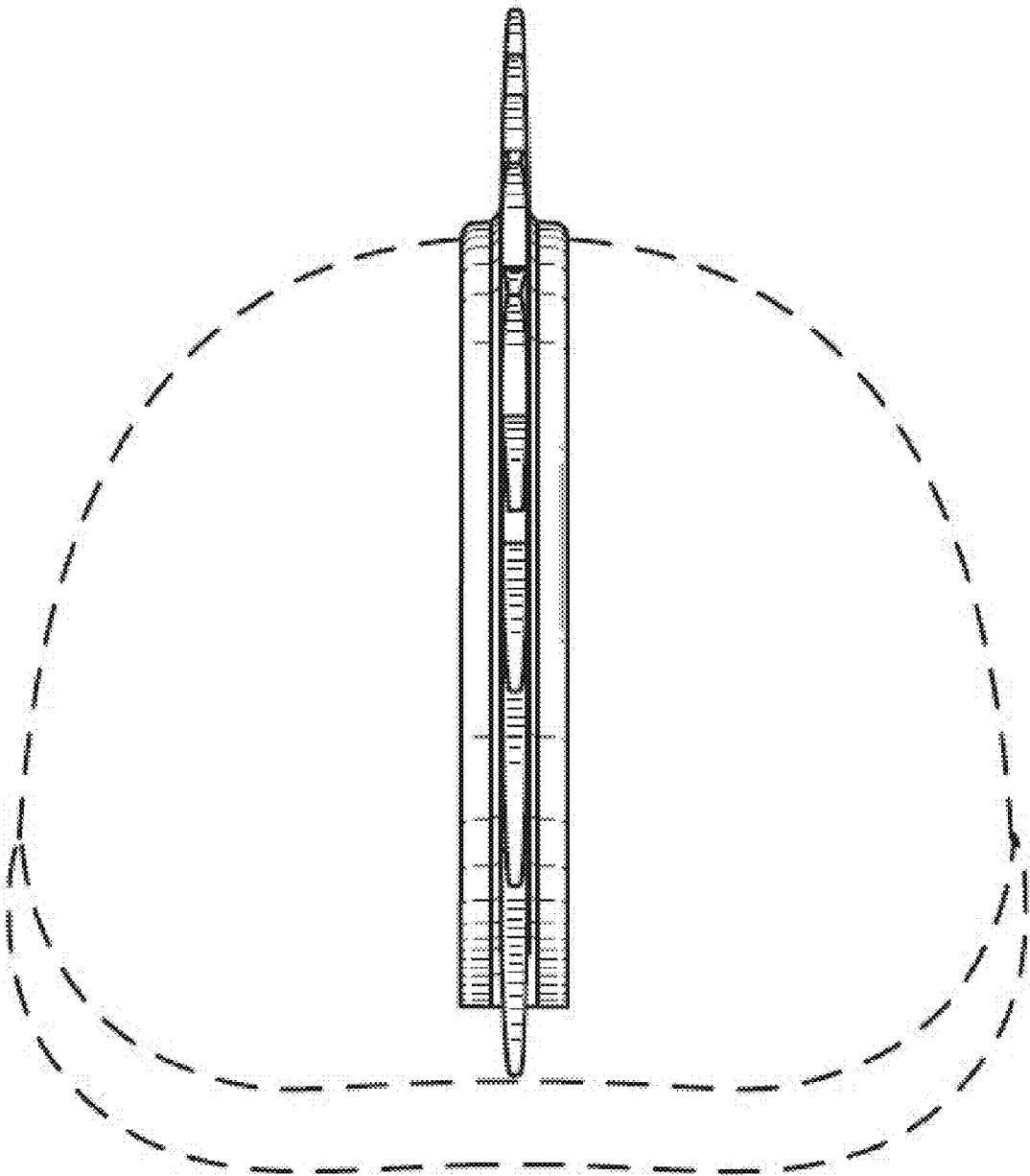


FIG. 3

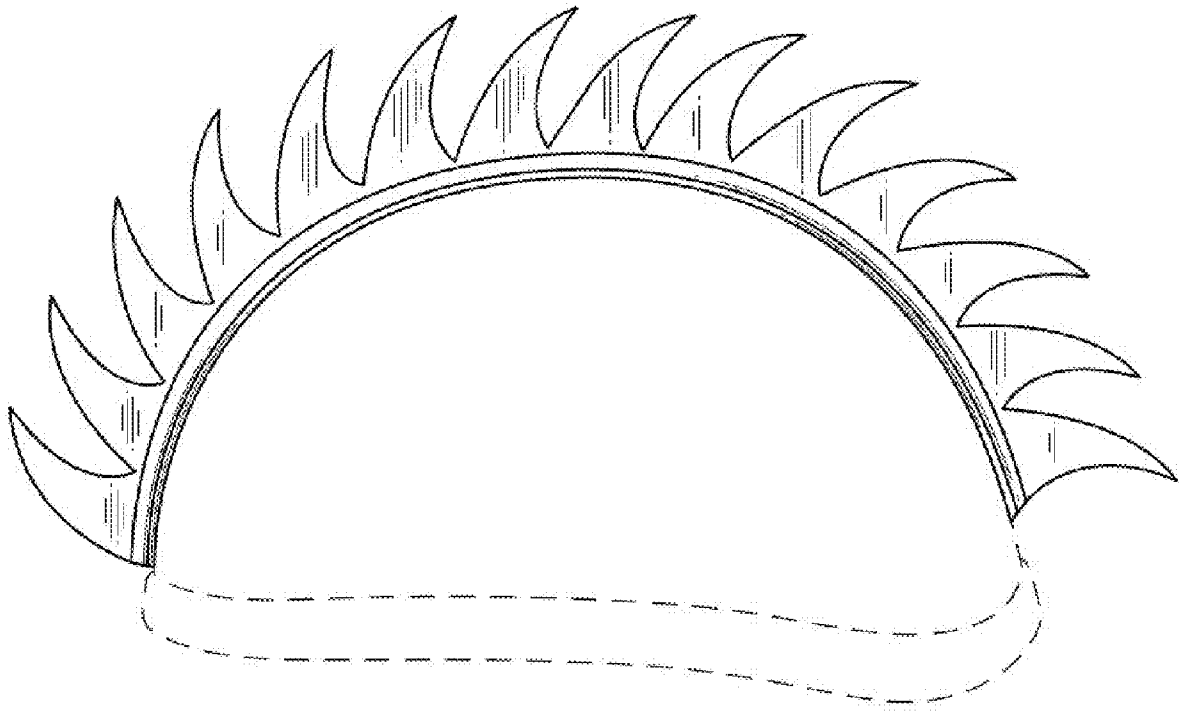


FIG. 4

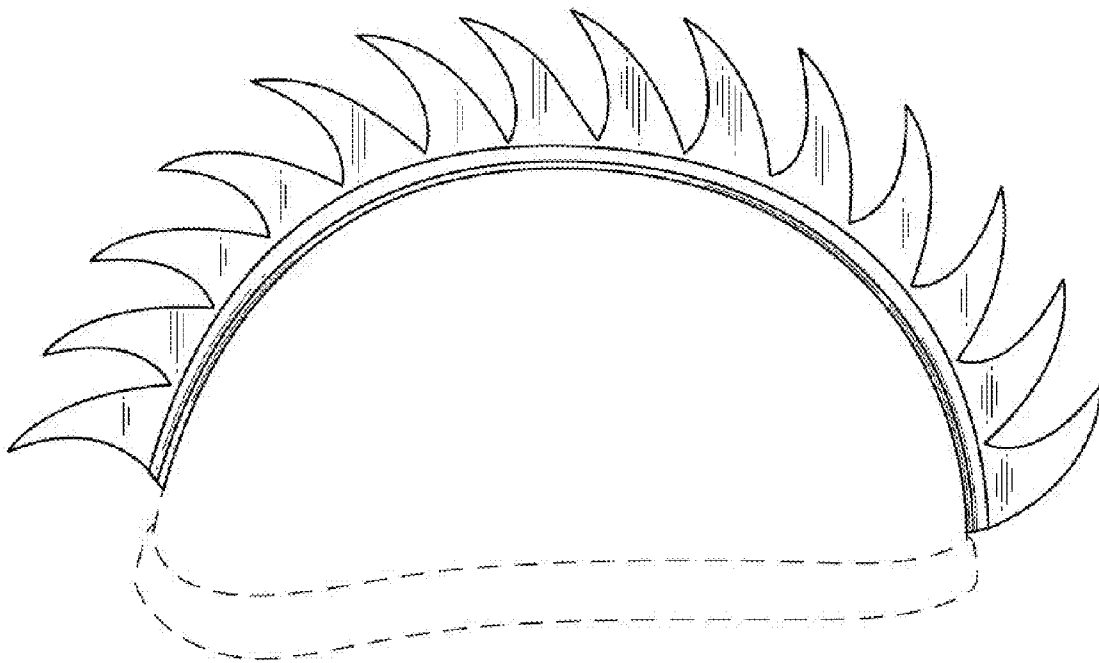


FIG. 5

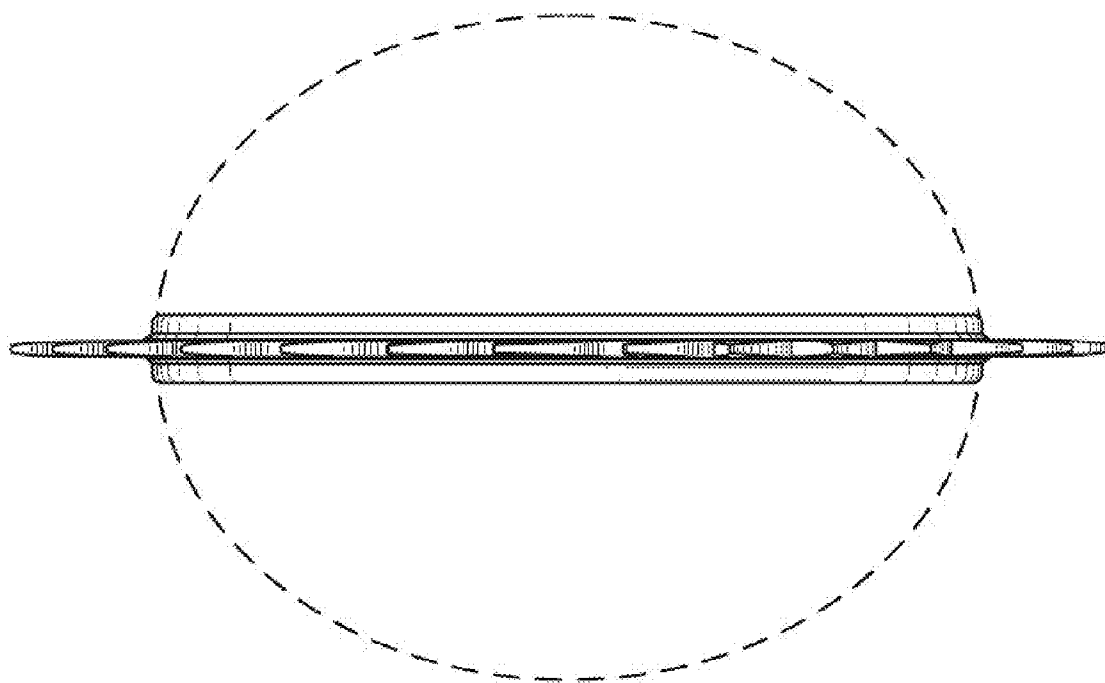


FIG. 6

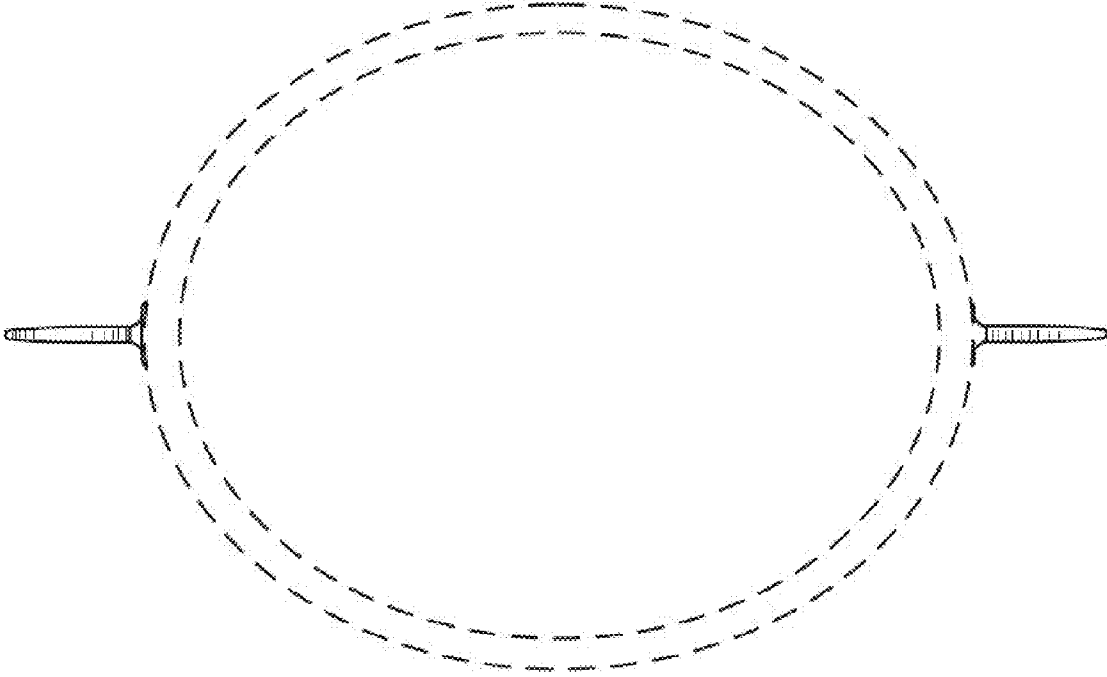


FIG. 7